

# SGS E1

## THYRISTOR SPEED CONTROLLERS

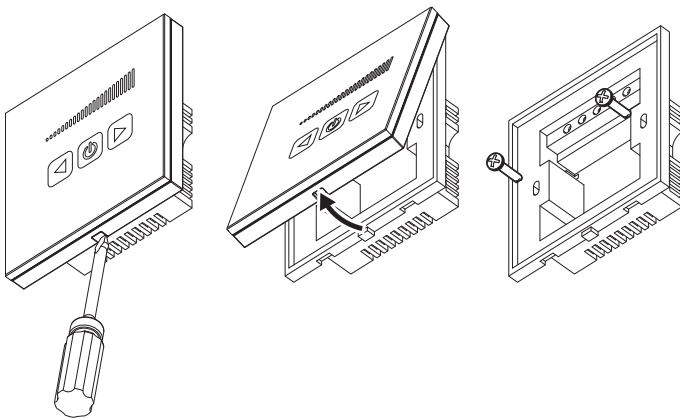
### Features

- On/off switch and speed control for single-phase voltage controlled fans.
- Casing made of high-quality plastic.
- Glass sensor panel with an ON/OFF button and two speed control buttons.
- The adjustable speed is displayed with the LED indicator.
- Wall flush mounting.

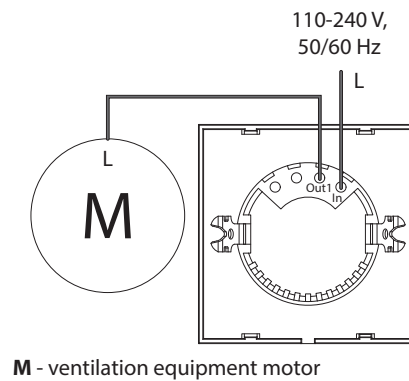


### Mounting

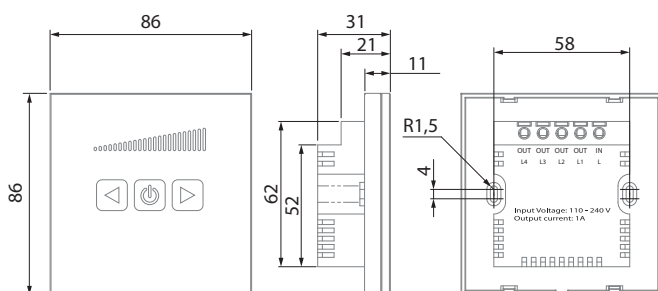
- Designed for wall mounting in a flush mounting box.



### Wiring diagram



### Overall dimensions [mm]



### Technical data

Model	SGS E1
Voltage [V/Hz]	230/50 (60)
Max current load [A]	1
Cable cross section [mm <sup>2</sup> ]	from 0.35 up to 1
Temperature range [°C]	-10...+45
Operating humidity range [%]	from 5 up to 80 (no condensation)
Service life	100 000 operations
Weight [g]	138

