

VENTS VPVO series



Medium pressure axial fans with air capacity up to 113 000 m³/h

■ Purpose

The fans are used:

- as a part of a smoke extraction system for air pressurization to create a positive air pressure differential in stairway enclosures, airlock vestibules and lift shafts, to prevent spreading of smoke in premises, protect people using evacuation routes from fire hazards and enable conditions for fire-extinguishing measures.
- in general ventilation systems in industrial, administrative and residential buildings.

■ Design

The metal casing with rolled flanges helps achieve outstanding rigidity and minimum clearances between the casing and the blades. There is an inspection hatch in the casing for easy maintenance. All the casing components are powder coated for improved protection against the environmental effects. The weight of the fans may differ from the one stated in the catalogue and depends on the components used (motor, terminal box, etc.).

■ Motor

The fans are equipped with three-phase (400 V/50 Hz) single-speed 2-, 4- or 6-pole electric motors. Motor with energy efficiency class IE3 on request.

■ Impeller

Depending on the size and the required air capacity the fans are equipped with impellers with 6 or 8 blades angled from 20° to 50° with from 2.5 up to 5° stepping to ensure precise matching of fans with the operating point. The specially designed impeller blades ensure high efficiency of the fan while keeping noise well under control. The impellers are dynamically balanced. Low weight and low moment of the impeller inertia help reduce the fan start-up time. The fan blades can be made of the following materials:

- PAG - fiberglass reinforced polyamide;
- AL - aluminium.

Please confirm the blade material while placing your order.

■ Installation

The fans can be mounted on any flat surface or directly into a ventilation duct. The units are suitable for both horizontal and vertical configurations. In-duct installation requires flanges to attach the fan to the ductwork. To attach the fan to the floor, a wall or the ceiling use the O-VO carriers (not included as standard, should be purchased separately). The units are suitable for installation on rooftops to provide direct supply of outdoor air to the stairway areas.

■ Designation key

VPVO: axial pressurisation fan

Standard size (duct diameter) [mm]

Modification: _: standard casing; **K:** shortened casing

Number of the motor poles

Motor phase: **E:** single-phase; **D:** three-phase

Motor power [kW]

Number of the impeller blades [items]

Blade setting angle [°]

Blade material

PAG: fiberglass reinforced polyamide

AL: aluminium

Climatic category:

U: moderate climate (-40...+40 °C)

HL: cold climate (-60...+40 °C)

UHL: moderate and cold climate (-60...+40 °C)

T: tropical climate (-10...+50 °C)

M: maritime moderately cold climate (-40...+40 °C)

O: general climatic modification (except maritime climate) (-60...+50 °C)

OM: general maritime climatic modification (-40...+40 °C)

V: universal climatic modification (-60...+50 °C)

Placement category:

1: outdoors

2: under a shed or indoors with the same conditions as outdoors except solar radiation and precipitation

3: in closed rooms without artificial climate control

4: in closed rooms with artificial climate control (ventilation, heating)

5: in rooms with high levels of humidity, without climate control

Terminal box:

_: electric connection on the terminal box on the motor

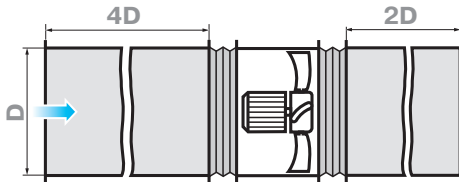
K: external terminal box on the fan casing

Casing Motor Impeller Modification
VPVO-630 K-2D/5.5-8/35/AL-U1-K

AXIAL FAN APPLICATION DETAILS

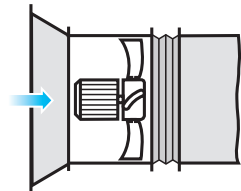
Fan installation into an air duct system

To ensure a uniform air flow the fan should be preceded by a straight duct section with a cross-section area equal to half of that of the fan. The length of the duct section should be $3 \div 4 D$ (D is the inner diameter of the fan). The length of the straight duct section downstream of the fan should be $1.5 \div 2 D$. Reduction of the recommended duct length values results in a drop of the fan pressure and performance. To reduce noise and vibration use the VVG flexible joints.



Fan installation with no upstream ducting

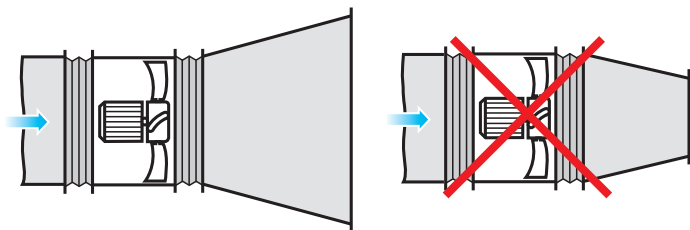
Axial fans without upstream ducting must be equipped with the VK-VO inlet cone to improve the air flow parameters.



Fan installation with no downstream ducting

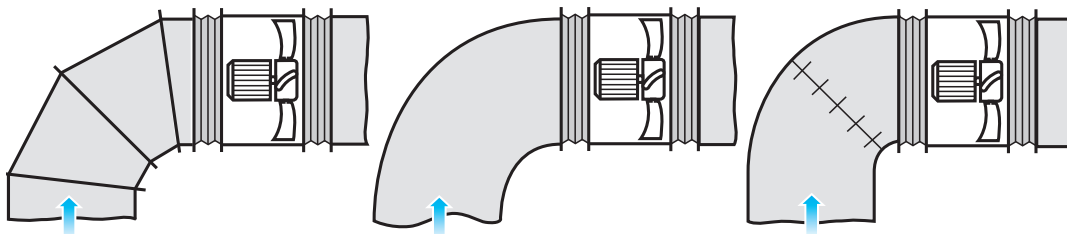
If the axial fan is a terminal device of the ventilation system (i.e. there is no downstream ducting) the unit must be equipped with a diffuser to reduce the air flow velocity and the fan dynamic pressure. Reduction of the air discharge velocity results in a significant reduction of shock losses which are proportional to the square of velocity decrement.

The fan should not be equipped with a downstream contractor.



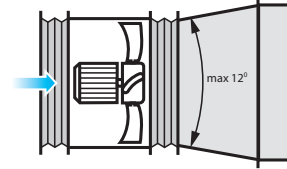
Installation near bends

To install the fan directly downstream of a bend (elbow) use a curved section with a large bending radius or an array of internal guide vanes.



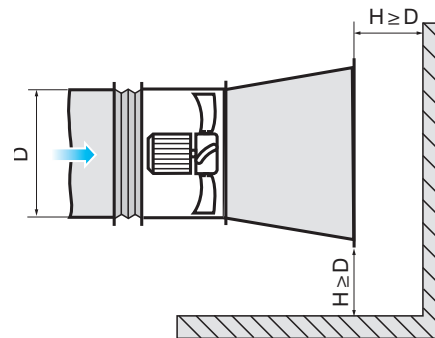
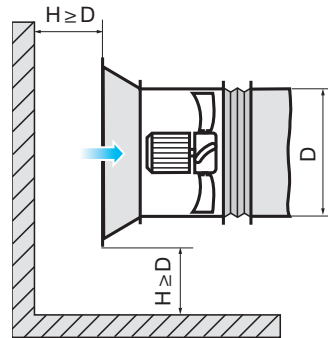
Changing diameter installation

When changing from a smaller diameter to a larger one use a connector diffuser with the maximum opening angle of 12° .

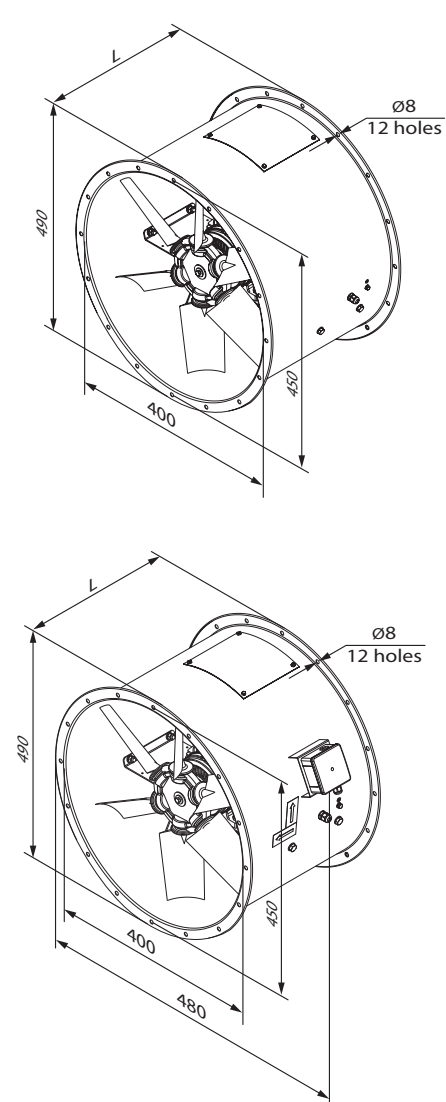
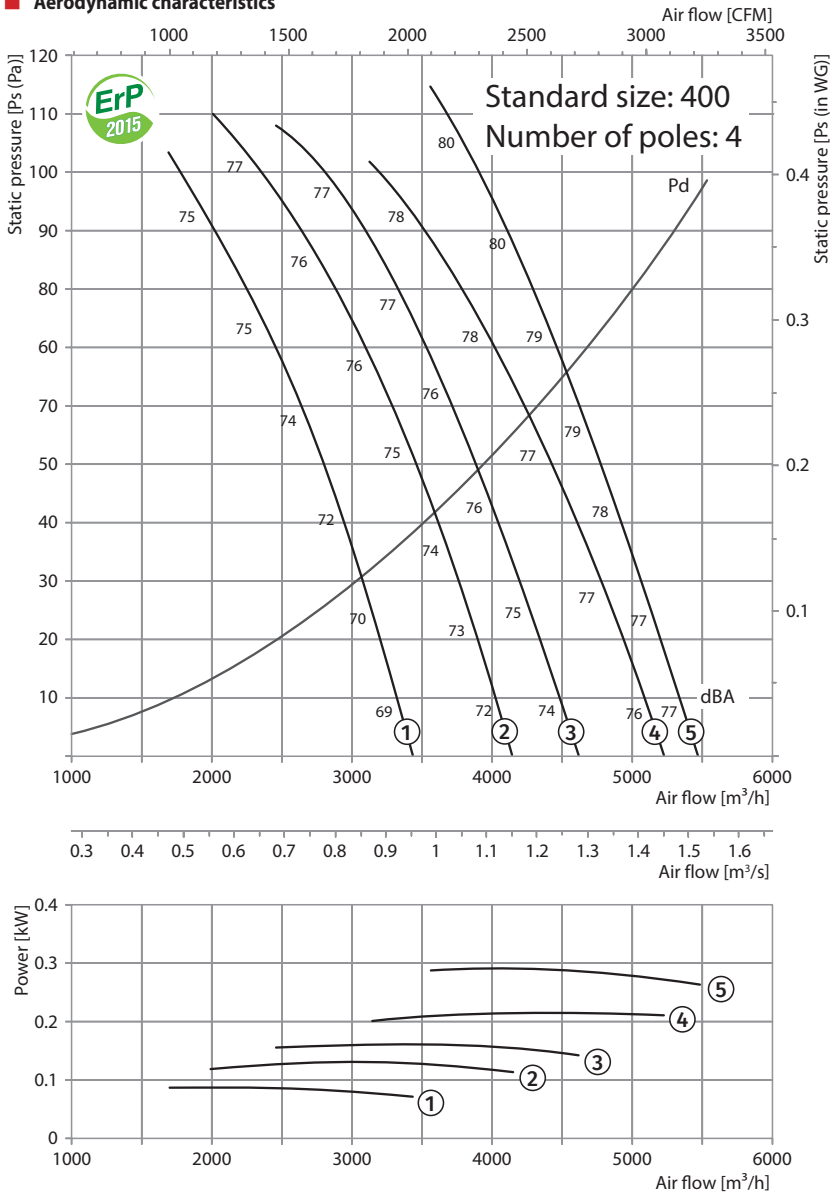


Obstructed space installation

To ensure normal operation of the fan in an obstructed space make sure to provide for a sufficient distance between the inlet and outlet flanges and the floor, walls, bulky equipment and obstacles.



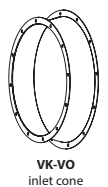
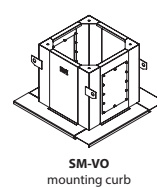
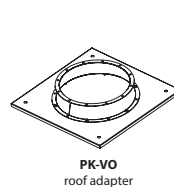
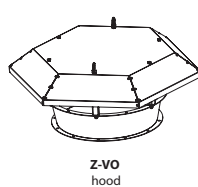
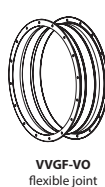
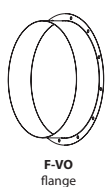
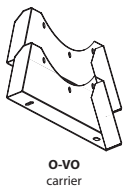
Aerodynamic characteristics



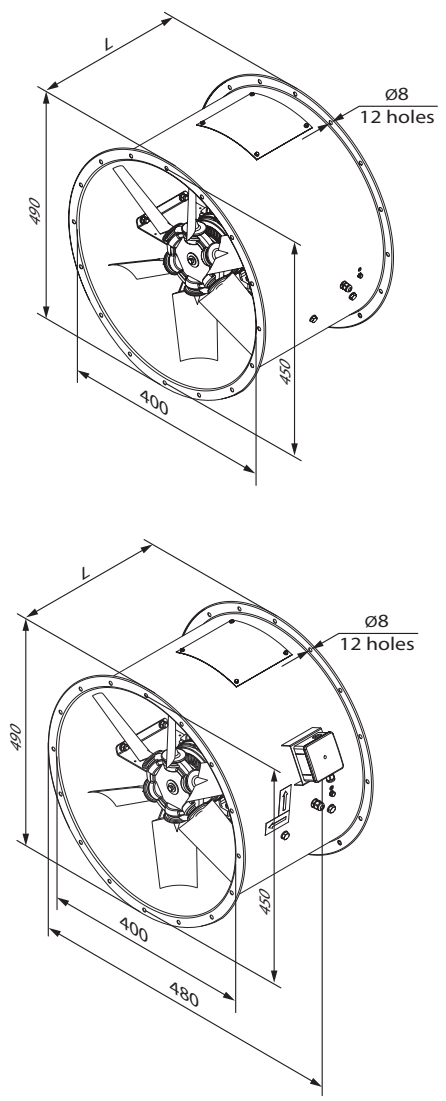
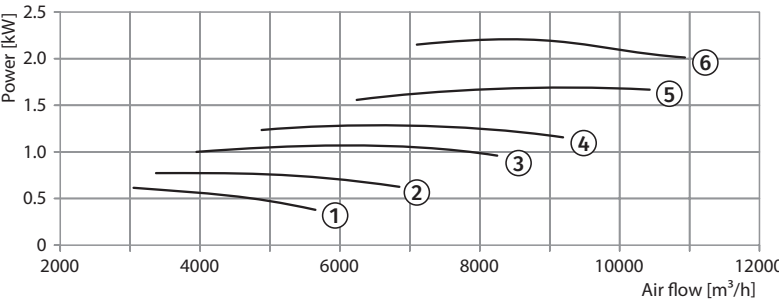
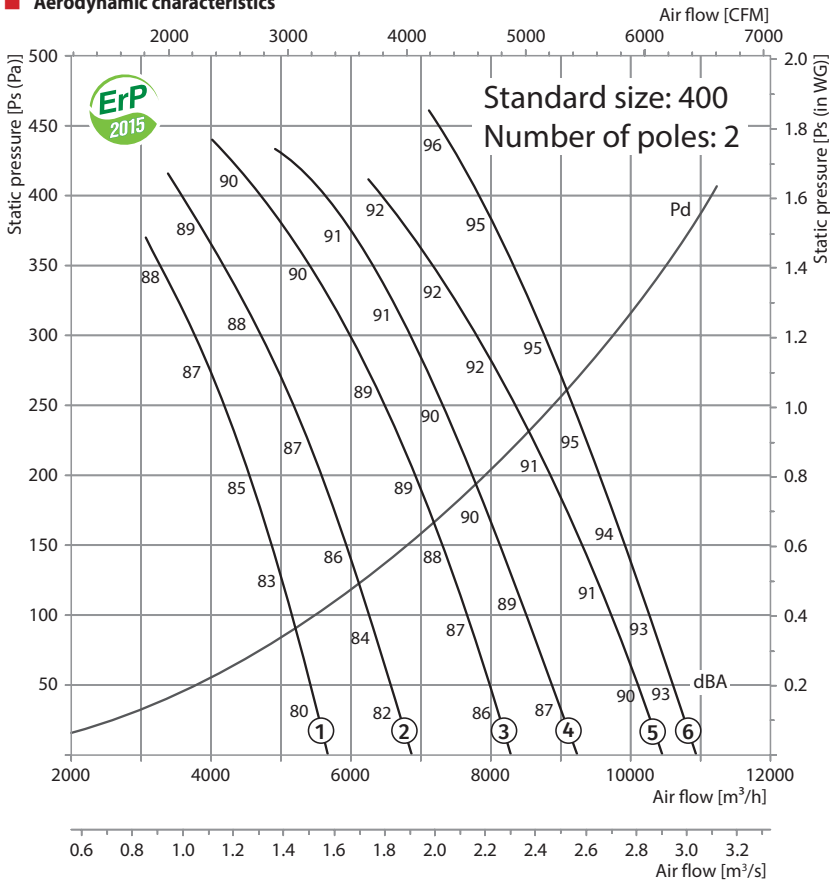
Technical data:

Size	Number of poles	Voltage [V/50 Hz]	Fan model with aluminum blades impeller (AL)	Fans model with fiberglass reinforced polyamide blades impeller (PAG)	Installed motor power Ny [kW]	RPM [min ⁻¹]	Q-ty of blades	Blade setting angle [°]	Weight [kg]	Lenght L [mm]	Curve number on graph
400	4	3~400	VPVO-400-4D/0,12-6/30/AL	VPVO-400-4D/0,12-6/30/PAG	0.12	1440	6	30	19.5	350	①
			VPVO-400-4D/0,18-6/35/AL	VPVO-400-4D/0,18-6/35/PAG	0.18	1440	6	35	19.8	350	②
			VPVO-400-4D/0,18-6/40/AL	VPVO-400-4D/0,18-6/40/PAG	0.18	1440	6	40	19.8	350	③
			VPVO-400-4D/0,25-6/45/AL	VPVO-400-4D/0,25-6/45/PAG	0.25	1440	6	45	23.2	350	④
			VPVO-400-4D/0,37-8/45/AL	VPVO-400-4D/0,37-8/45/PAG	0.37	1440	8	45	23.9	350	⑤

Accessories:



Aerodynamic characteristics



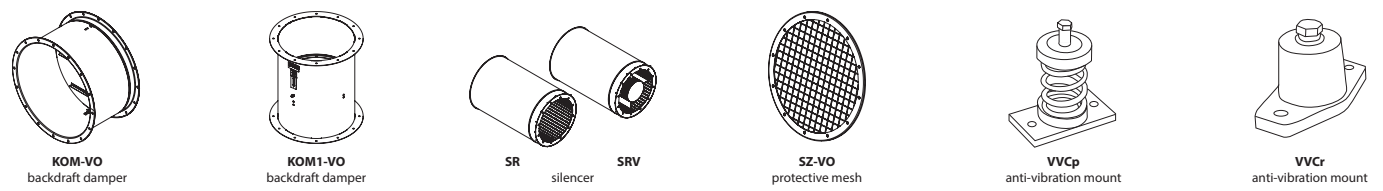
VPVO-400-2

Technical data:

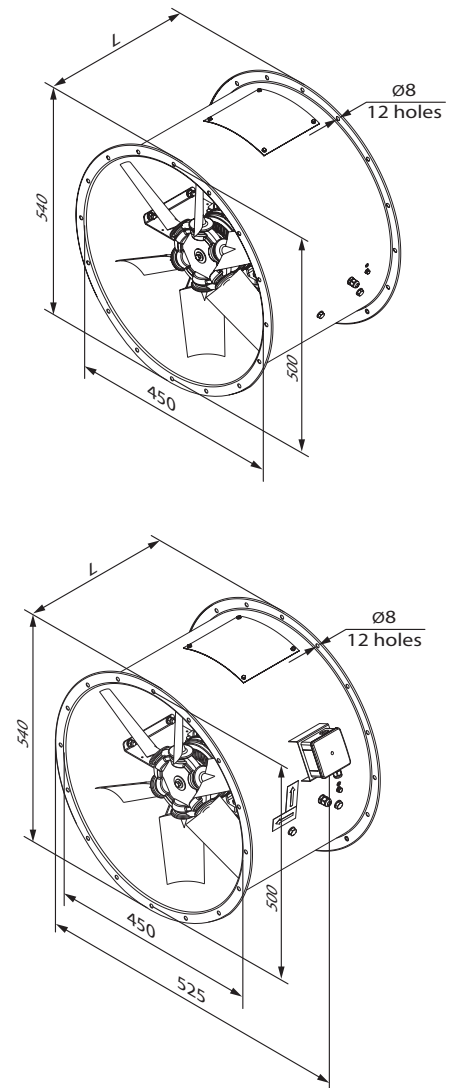
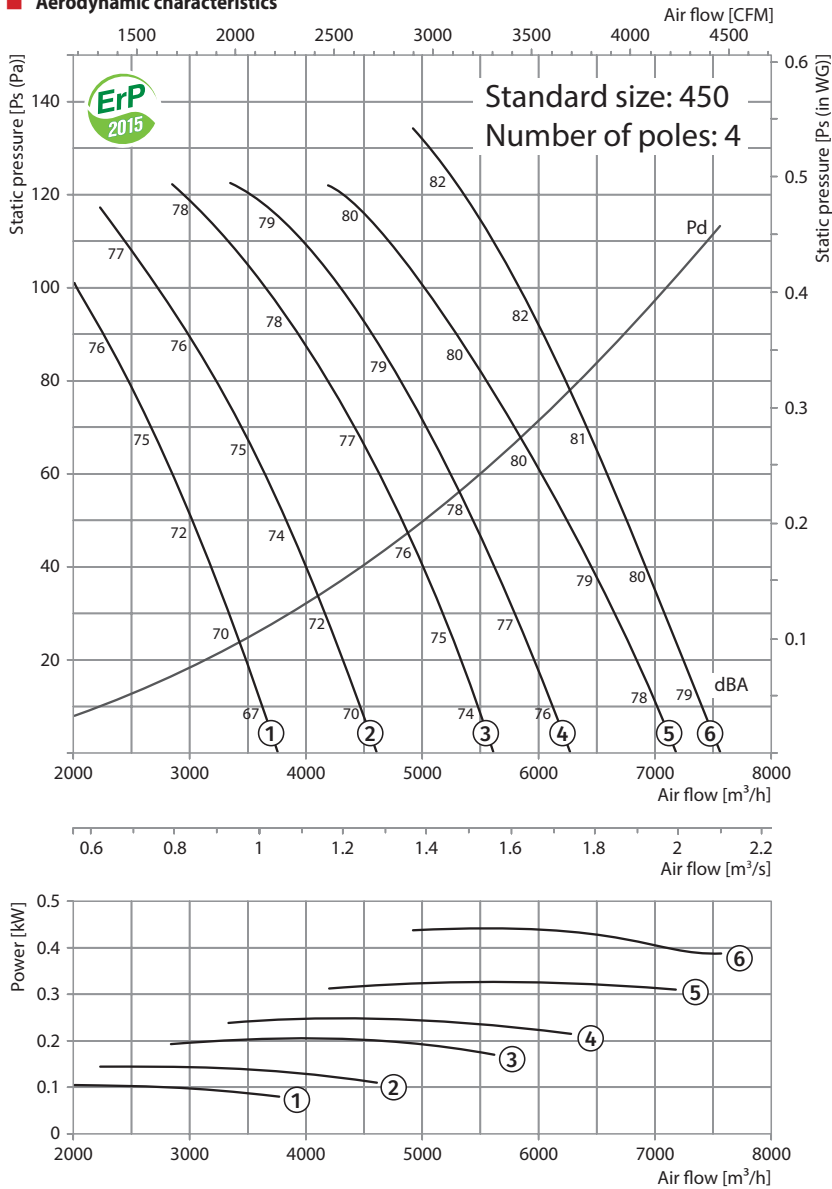
Size	Number of poles	Voltage [V/50 Hz]	Fan model with aluminum blades impeller (AL)	Fans model with fiberglass reinforced polyamide blades impeller (PAG)	Installed motor power Ny [kW]	RPM [min ⁻¹]	Q-ty of blades	Blade setting angle [°]	Weight [kg]	Length L [mm]	Curve number on graph
400	2	3~400	-	VPVO-400-2D/0,55-6/25/PAG	0.55	2880	6	25	23.4	350	①
			VPVO-400-2D/0,75-6/30/AL	VPVO-400-2D/0,75-6/30/PAG	0.75	2880	6	30	26.5	350 (450*)	②
			VPVO-400-2D/1,1-6/35/AL	VPVO-400-2D/1,1-6/35/PAG	1.1	2880	6	35	27.0	450	③
			VPVO-400-2D/1,5-6/40/AL	VPVO-400-2D/1,5-6/40/PAG	1.5	2880	6	40	32.5	450	④
			VPVO-400-2D/2,2-6/45/AL	VPVO-400-2D/2,2-6/45/PAG	2.2	2880	6	45	34.5	450	⑤
			VPVO-400-2D/2,2-8/45/AL	VPVO-400-2D/2,2-8/45/PAG	2.2	2880	8	45	35.0	450	⑥

* Including a motor with energy efficiency IE3

Accessories:



Aerodynamic characteristics

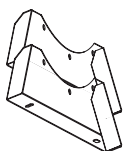


Technical data:

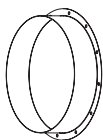
Size	Number of poles	Voltage [V/50 Hz]	Fan model with aluminum blades impeller (AL)	Fans model with fiberglass reinforced polyamide blades impeller (PAG)	Installed motor power Ny [kW]	RPM [min ⁻¹]	Q-ty of blades	Blade setting angle [°]	Weight [kg]	Lenght L [mm]	Curve number on graph
450	4	3~400	-	VPVO-450-4D/0,12-6/25/PAG	0.12	1440	6	25	29.1	350	①
			VPVO-450-4D/0,18-6/30/AL	VPVO-450-4D/0,18-6/30/PAG	0.18	1440	6	30	29.4	350	②
			VPVO-450-4D/0,25-6/35/AL	VPVO-450-4D/0,25-6/35/PAG	0.25	1440	6	35	32.8	350	③
			VPVO-450-4D/0,25-6/40/AL	VPVO-450-4D/0,25-6/40/PAG	0.25	1440	6	40	32.8	350	④
			VPVO-450-4D/0,37-6/45/AL	VPVO-450-4D/0,37-6/45/PAG	0.37	1440	6	45	33	350	⑤
			VPVO-450-4D/0,55-8/45/AL	VPVO-450-4D/0,55-8/45/PAG	0.55	1440	8	45	36.6	350 (450*)	⑥

* Including a motor with energy efficiency IE3

Accessories:



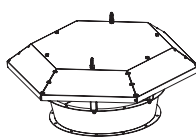
O-VO carrier



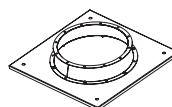
F-VO flange



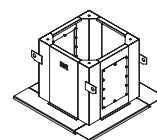
VVGf-VO flexible joint



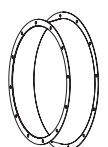
Z-VO hood



PK-VO roof adapter

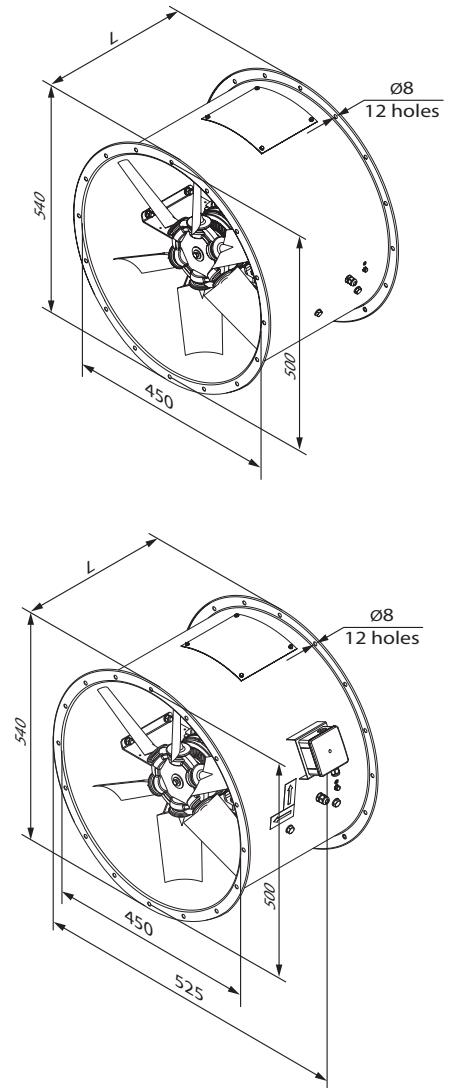
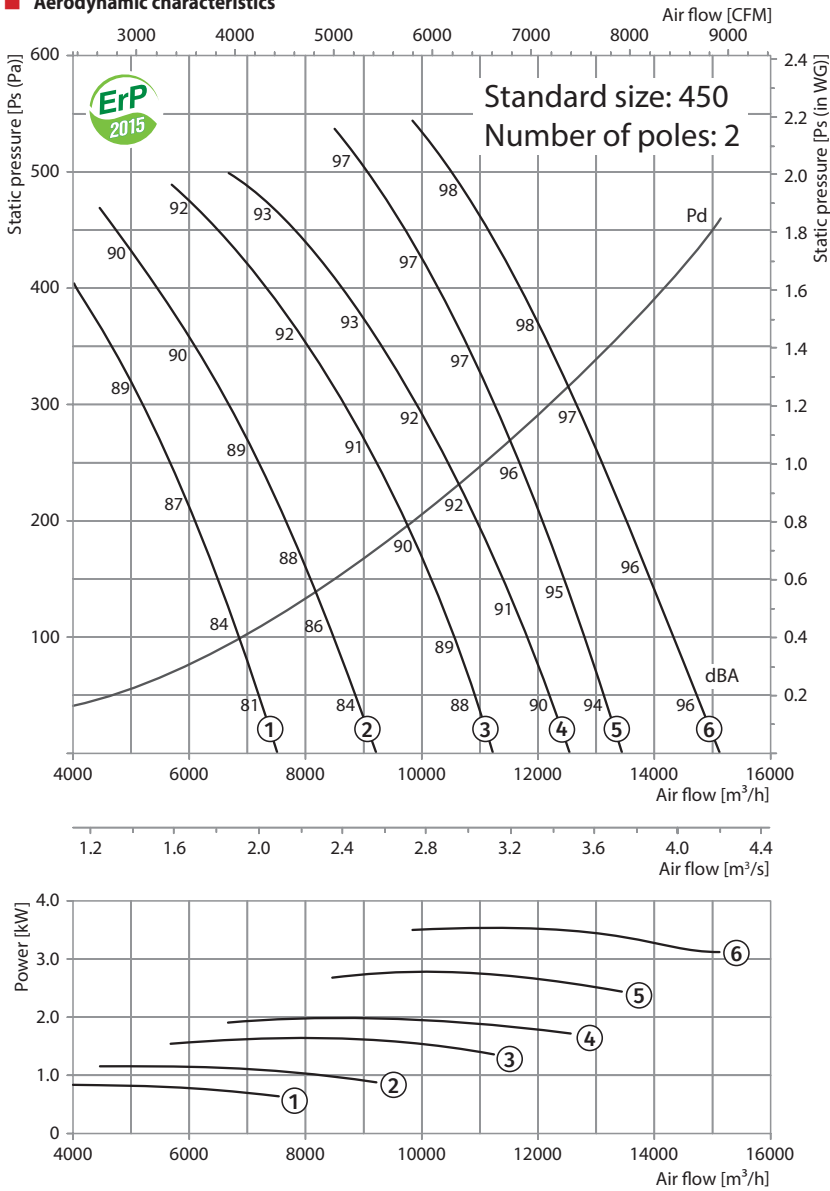


SM-VO mounting curb



VK-VO inlet cone

Aerodynamic characteristics



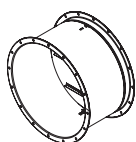
VPVO-450-2

Technical data:

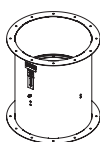
Size	Number of poles	Voltage [V/50 Hz]	Fan model with aluminum blades impeller (AL)	Fans model with fiberglass reinforced polyamide blades impeller (PAG)	Installed motor power Ny [kW]	RPM [min ⁻¹]	Q-ty of blades	Blade setting angle [°]	Weight [kg]	Length L [mm]	Curve number on graph
450	2	3~400	-	VPVO-450-2D/0,75-6/25/PAG	0.75	2880	6	25	36.1	350 (450*)	①
			VPVO-450-2D/1,1-6/30/AL	VPVO-450-2D/1,1-6/30/PAG	1.1	2880	6	30	36.6	450	②
			VPVO-450-2D/1,5-6/35/AL	VPVO-450-2D/1,5-6/35/PAG	1.5	2880	6	35	42.1	450	③
			VPVO-450-2D/2,2-6/40/AL	VPVO-450-2D/2,2-6/40/PAG	2.2	2880	6	40	44.1	450	④
			VPVO-450-2D/3-8/40/AL	VPVO-450-2D/3-8/40/PAG	3	2880	8	40	53.6	450 (550*)	⑤
			VPVO-450-2D/4-8/45/AL	VPVO-450-2D/4-8/45/PAG	4	2880	8	45	63.7	550	⑥

* Including a motor with energy efficiency IE3

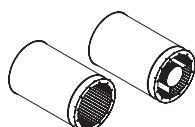
Accessories:



KOM-VO
backdraft damper



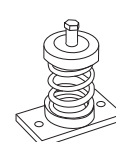
KOM1-VO
backdraft damper



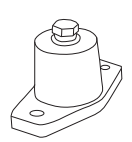
SR silencer
SRV



SZ-VO
protective mesh

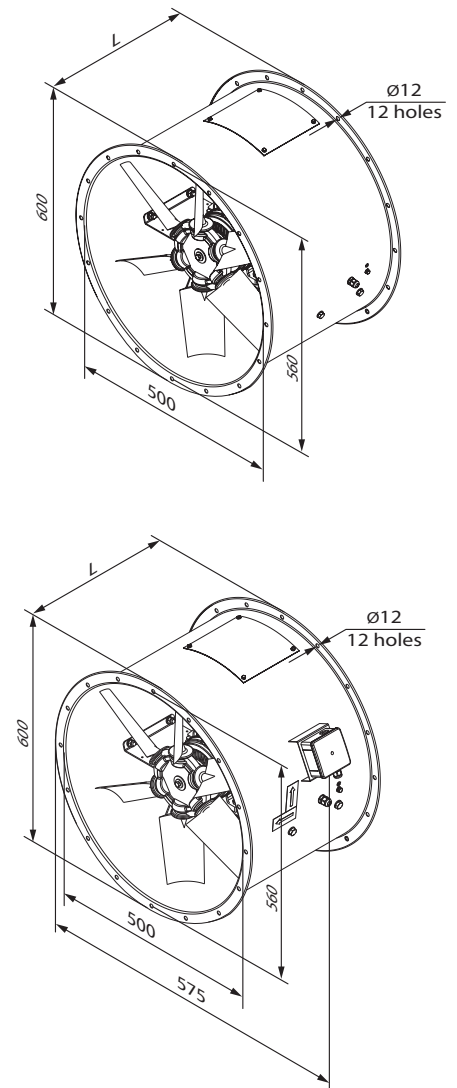
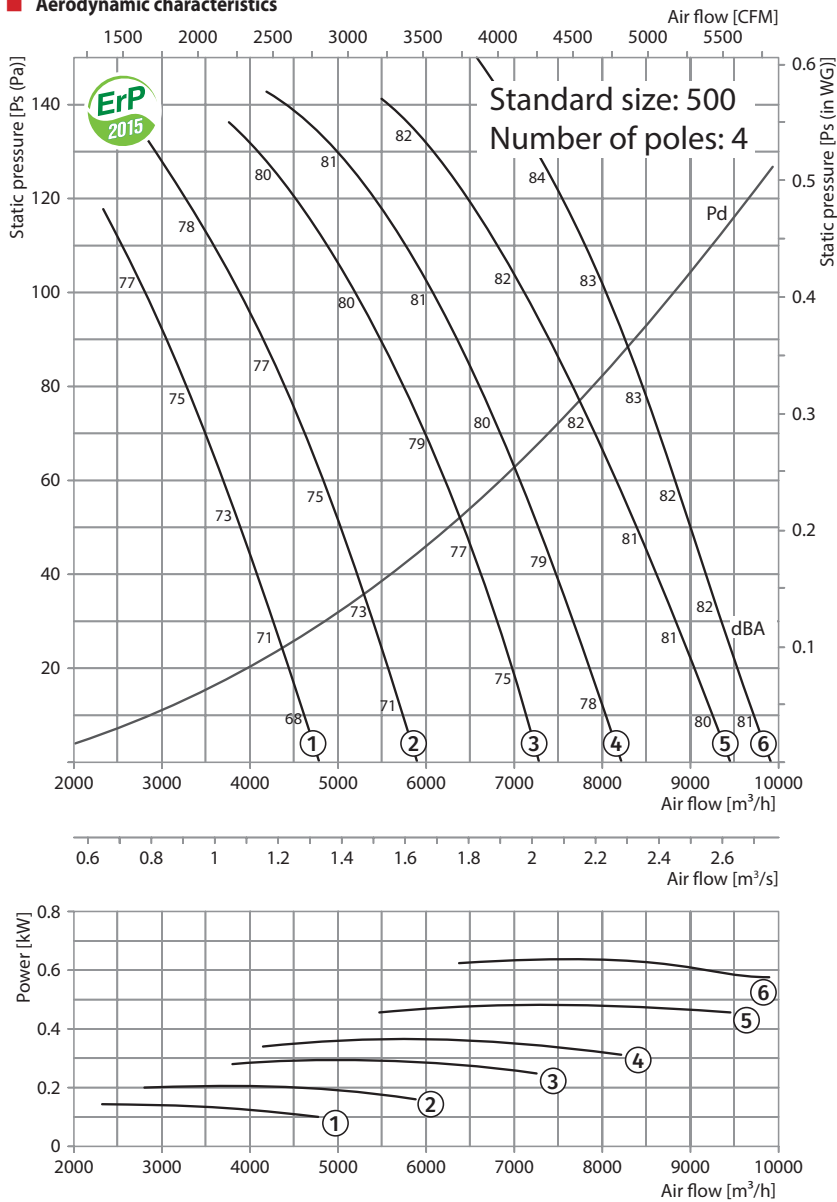


VVCp
anti-vibration mount



VVCr
anti-vibration mount

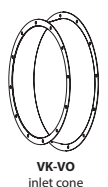
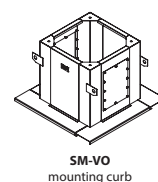
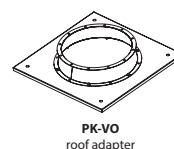
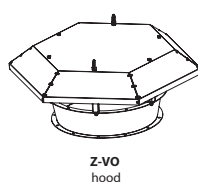
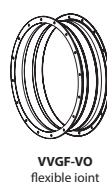
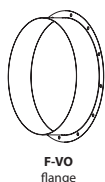
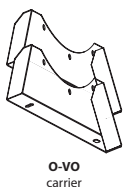
Aerodynamic characteristics



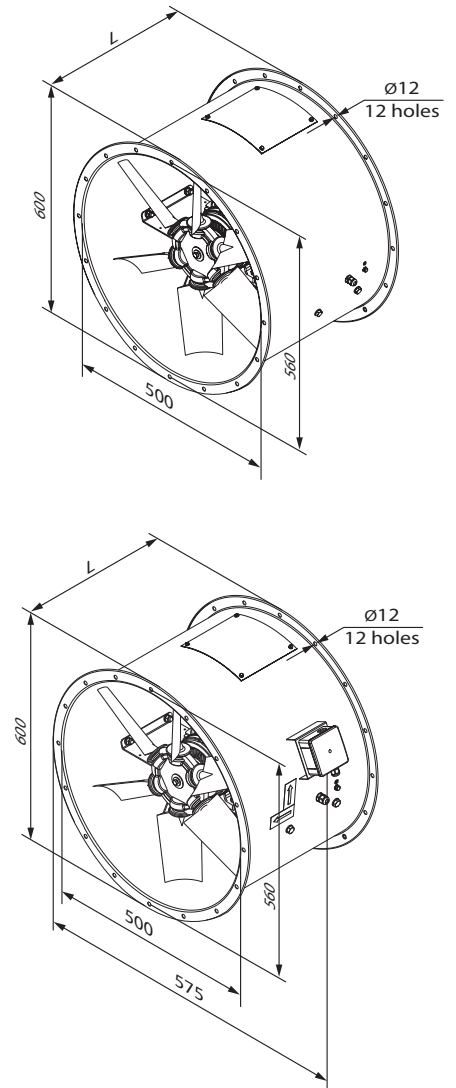
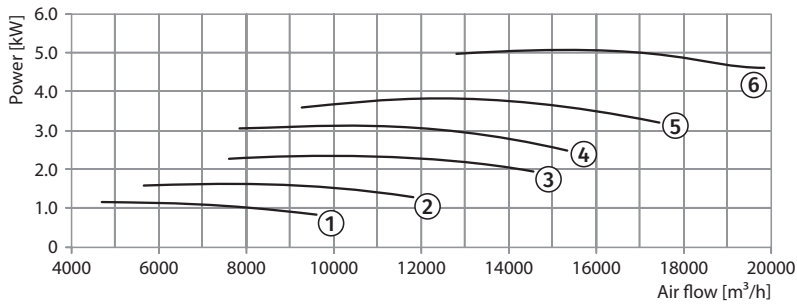
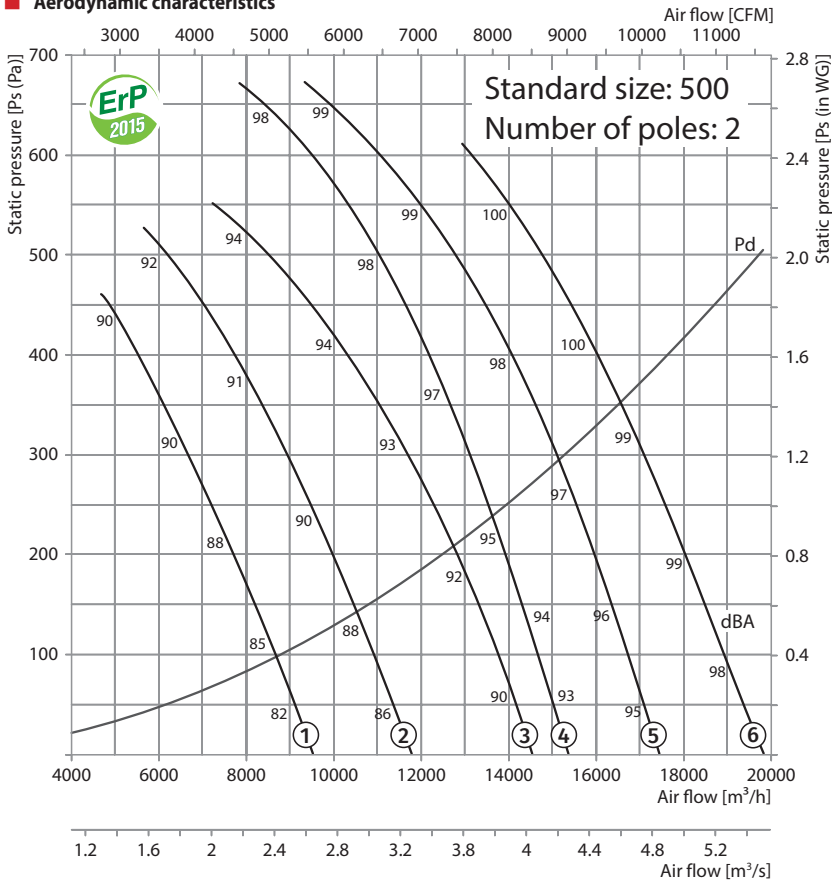
Technical data:

Size	Number of poles	Voltage [V/50 Hz]	Fan model with aluminum blades impeller (AL)	Fans model with fiberglass reinforced polyamide blades impeller (PAG)	Installed motor power Ny [kW]	RPM [min ⁻¹]	Q-ty of blades	Blade setting angle [°]	Weight [kg]	Length L [mm]	Curve number on graph
500	4	3~400	-	VPVO-500-4D/0,18-6/25/PAG	0.18	1440	6	25	61.5	350	①
			VPVO-500-4D/0,25-6/30/AL	VPVO-500-4D/0,25-6/30/PAG	0.25	1440	6	30	61.7	350	②
			VPVO-500-4D/0,37-6/35/AL	VPVO-500-4D/0,37-6/35/PAG	0.37	1440	6	35	64.8	350	③
			VPVO-500-4D/0,37-6/40/AL	VPVO-500-4D/0,37-6/40/PAG	0.37	1440	6	40	64.8	350	④
			VPVO-500-4D/0,55-6/45/AL	VPVO-500-4D/0,55-6/45/PAG	0.55	1440	6	45	65.6	450	⑤
			VPVO-500-4D/0,75-8/45/AL	VPVO-500-4D/0,75-8/45/PAG	0.75	1440	8	45	71.4	450	⑥

Accessories:



Aerodynamic characteristics

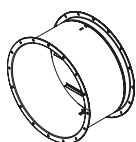


Technical data:

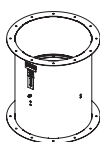
Size	Number of poles	Voltage [V/50 Hz]	Fan model with aluminum blades impeller (AL)	Fans model with fiberglass reinforced polyamide blades impeller (PAG)	Installed motor power Ny [kW]	RPM [min ⁻¹]	Q-ty of blades	Blade setting angle [°]	Weight [kg]	Lenght L [mm]	Curve number on graph
500	2	3~400	-	VPVO-500-2D/1,1-6/25/PAG	1.1	2880	6	25	48.2	450	①
			VPVO-500-2D/1,5-6/30/AL	VPVO-500-2D/1,5-6/30/PAG	1.5	2880	6	30	53.7	450	②
			VPVO-500-2D/2,2-6/35/AL	VPVO-500-2D/2,2-6/35/PAG	2.2	2880	6	35	55.7	450	③
			VPVO-500-2D/3-8/35/AL	VPVO-500-2D/3-8/35/PAG	3	2880	8	35	65.3	450 (550*)	④
			VPVO-500-2D/4-8/40/AL	VPVO-500-2D/4-8/40/PAG	4	2880	8	40	75.4	550	⑤
			VPVO-500-2D/5,5-8/45/AL	VPVO-500-2D/5,5-8/45/PAG	5.5	2880	8	45	96.8	550	⑥

* Including a motor with energy efficiency IE3

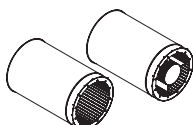
Accessories:



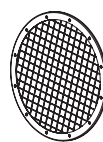
KOM-VO backdraft damper



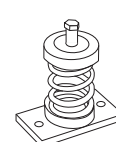
KOM1-VO backdraft damper



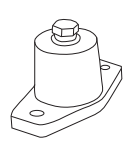
SR silencer SRV



SZ-VO protective mesh

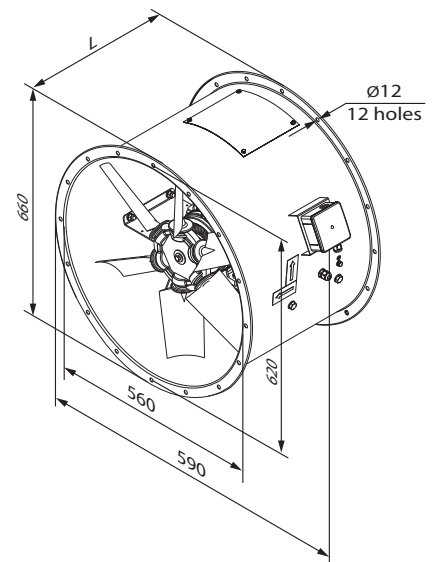
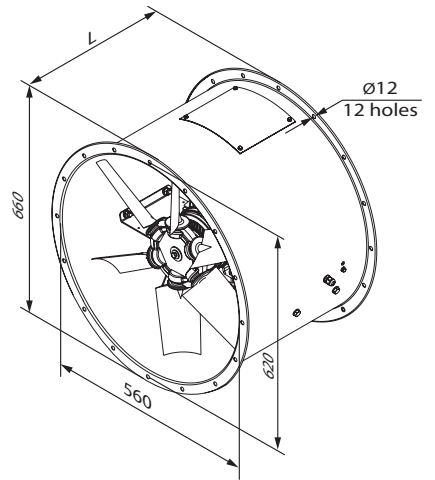
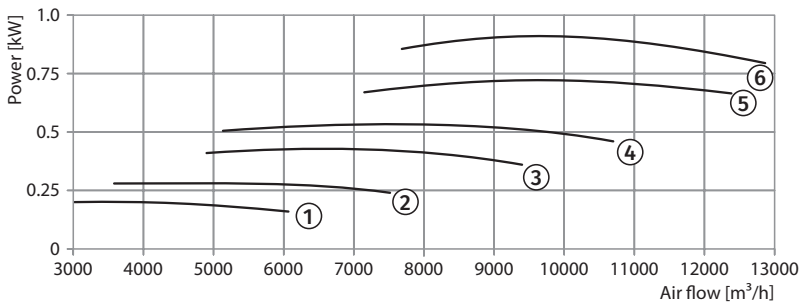
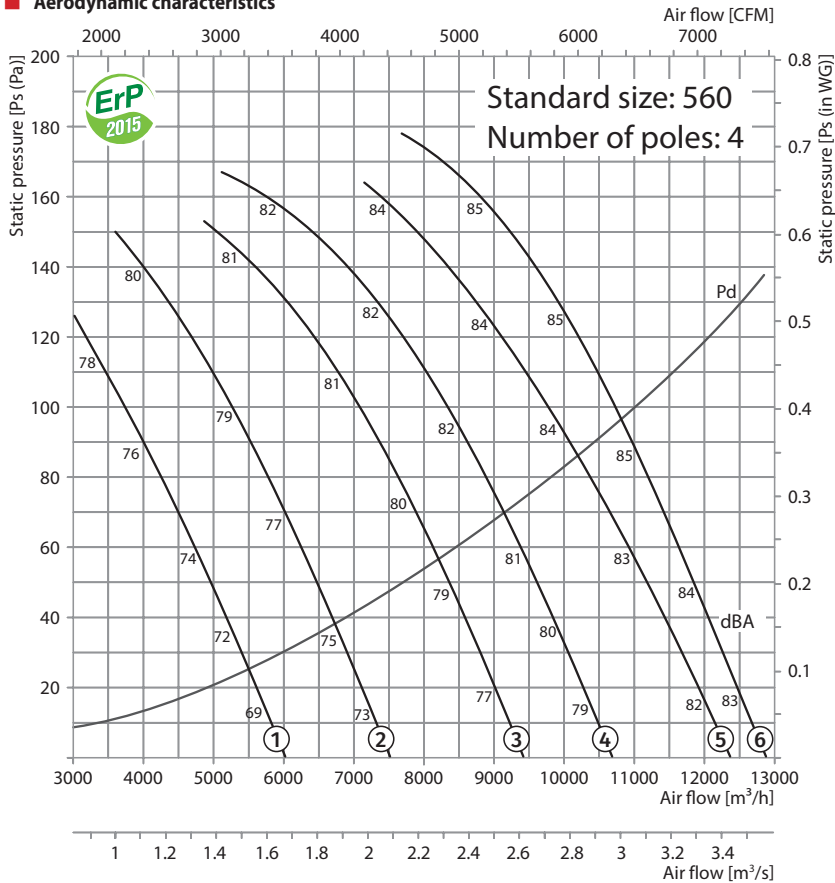


VVCp anti-vibration mount



VVCr anti-vibration mount

Aerodynamic characteristics

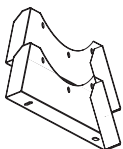


Technical data:

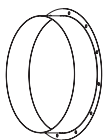
Size	Number of poles	Voltage [V/50 Hz]	Fan model with aluminum blades impeller (AL)	Fans model with fiberglass reinforced polyamide blades impeller (PAG)	Installed motor power Ny [kW]	RPM [min ⁻¹]	Q-ty of blades	Blade setting angle [°]	Weight [kg]	Lenght L [mm]	Curve number on graph
560	4	3~400	-	VPVO-560-4D/0,25-6/25/PAG	0.25	1440	6	25	61.5	350	①
			VPVO-560-4D/0,37-6/30/AL	VPVO-560-4D/0,37-6/30/PAG	0.37	1440	6	30	61.7	350	②
			VPVO-560-4D/0,55-6/35/AL	VPVO-560-4D/0,55-6/35/PAG	0.55	1440	6	35	64.8	350 (450*)	③
			VPVO-560-4D/0,55-6/40/AL	VPVO-560-4D/0,55-6/40/PAG	0.55	1440	6	40	64.8	350 (450*)	④
			VPVO-560-4D/0,75-6/45/AL	VPVO-560-4D/0,75-6/45/PAG	0.75	1440	6	45	65.6	450	⑤
			VPVO-560-4D/1,1-8/45/AL	VPVO-560-4D/1,1-8/45/PAG	1.1	1440	8	45	71.4	450	⑥

* Including a motor with energy efficiency IE3

Accessories:



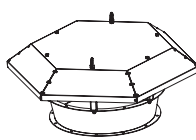
O-VO carrier



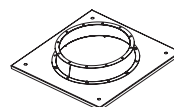
F-VO flange



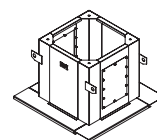
VVGf-VO flexible joint



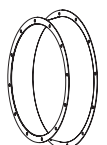
Z-VO hood



PK-VO roof adapter

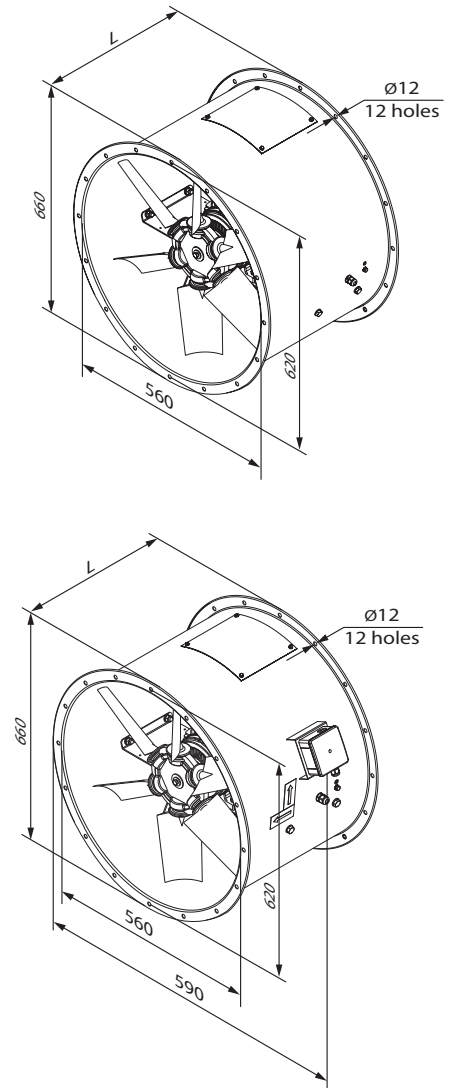
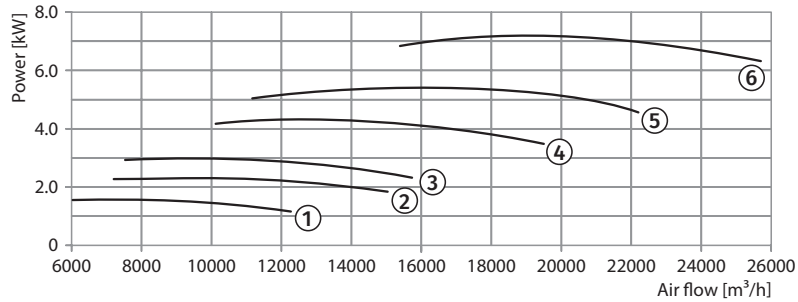
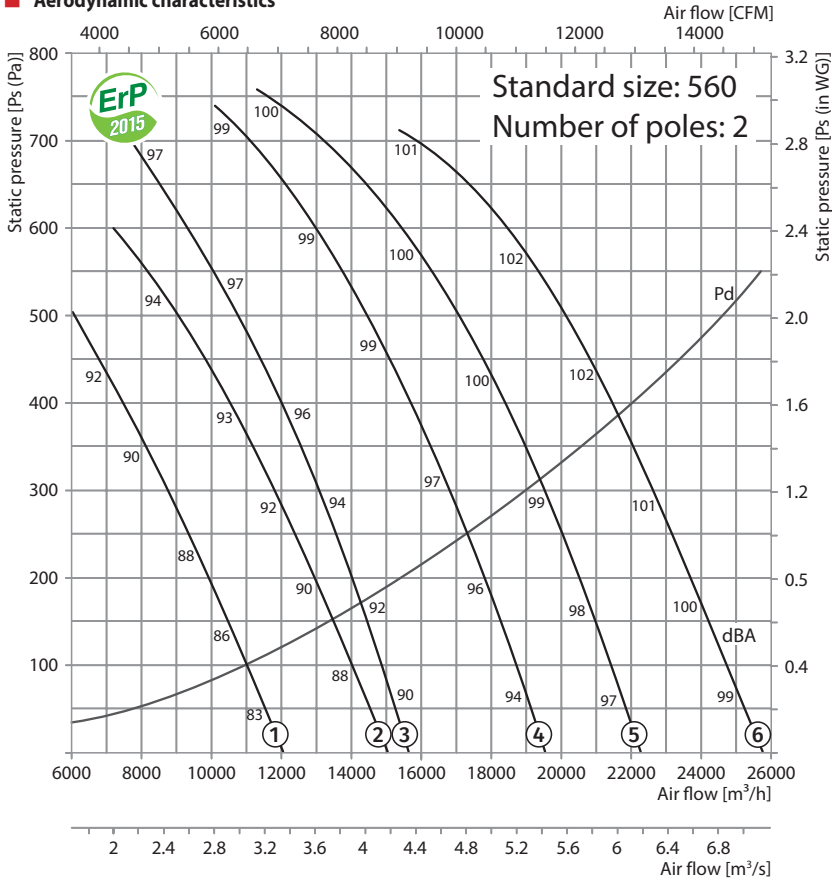


SM-VO mounting curb



VK-VO inlet cone

Aerodynamic characteristics

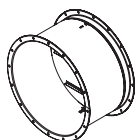


Technical data:

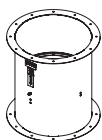
Size	Number of poles	Voltage [V/50 Hz]	Fan model with aluminum blades impeller (AL)	Fans model with fiberglass reinforced polyamide blades impeller (PAG)	Installed motor power Ny [kW]	RPM [min ⁻¹]	Q-ty of blades	Blade setting angle [°]	Weight [kg]	Lenght L [mm]	Curve number on graph
560	2	3~400	-	VPVO-560-2D/1,5-6/25/PAG	1.5	2880	6	25	70.8	450	①
			VPVO-560-2D/2,2-6/30/AL	VPVO-560-2D/2,2/6/30/PAG	2.2	2880	6	30	72.8	450	②
			VPVO-560-2D/3-8/30/AL	VPVO-560-2D/3-8/30/PAG	3	2880	8	30	82.4	450 (550*)	③
			VPVO-560-2D/4-8/35/AL	VPVO-560-2D/4-8/35/PAG	4	2880	8	35	92.5	550	④
			VPVO-560-2D/5,5-8/40/AL	VPVO-560-2D/5,5-8/40/PAG	5.5	2880	8	40	113.9	550	⑤
			VPVO-560-2D/7,5-8/45/AL	VPVO-560-2D/7,5-8/45/PAG	7.5	2880	8	45	117.9	550 (650*)	⑥

* Including a motor with energy efficiency IE3

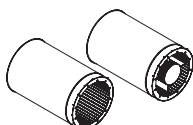
Accessories:



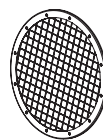
KOM-VO backdraft damper



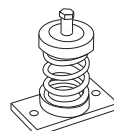
KOM1-VO backdraft damper



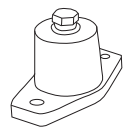
SR silencer SRV



SZ-VO protective mesh

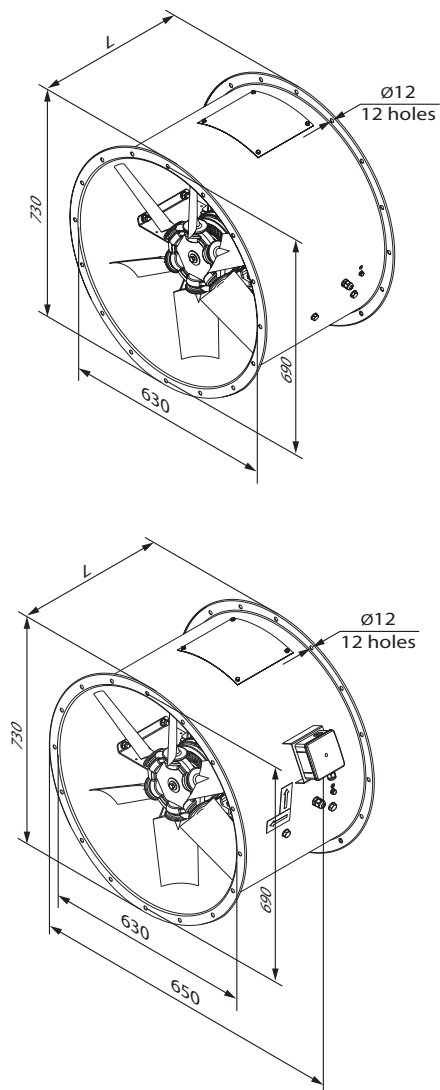
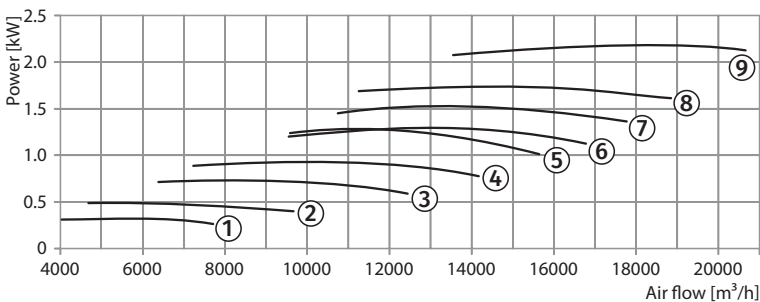
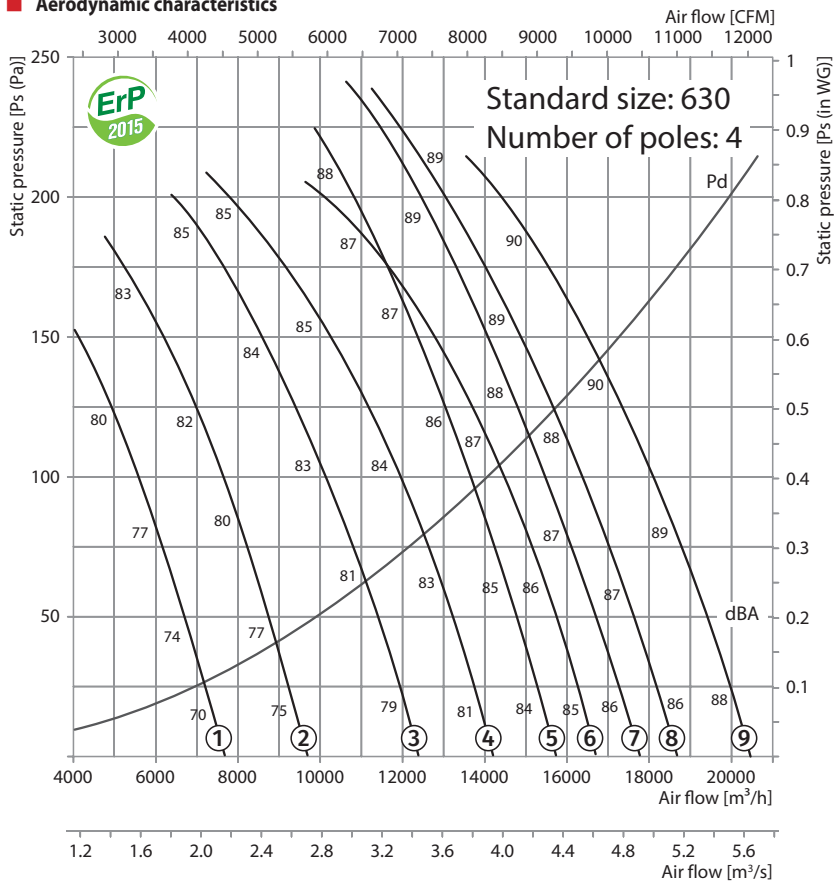


VVCp anti-vibration mount



VVCr anti-vibration mount

Aerodynamic characteristics

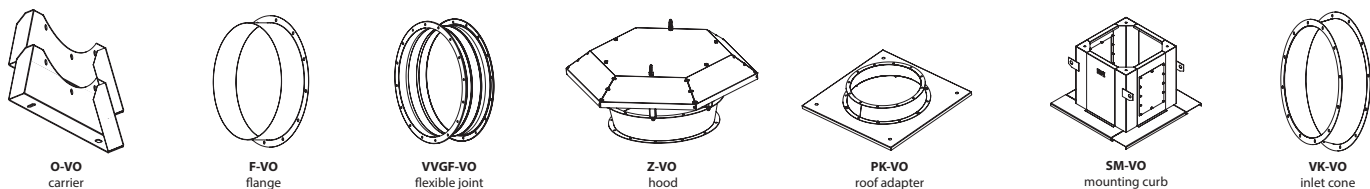


Technical data:

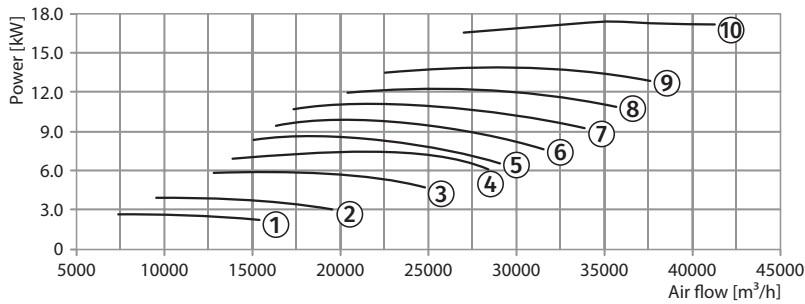
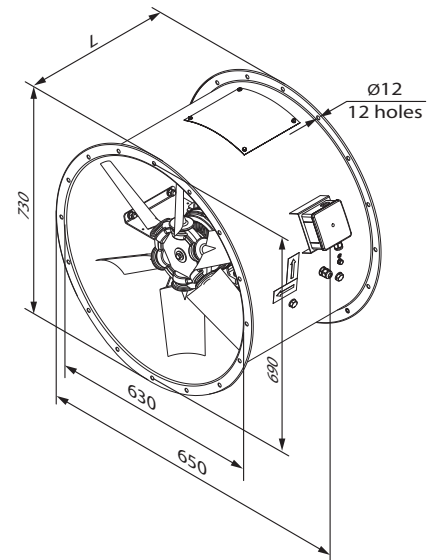
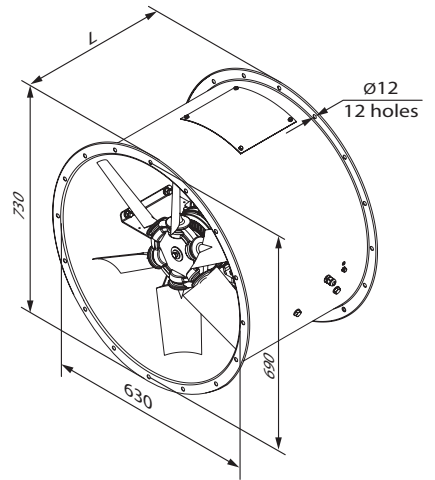
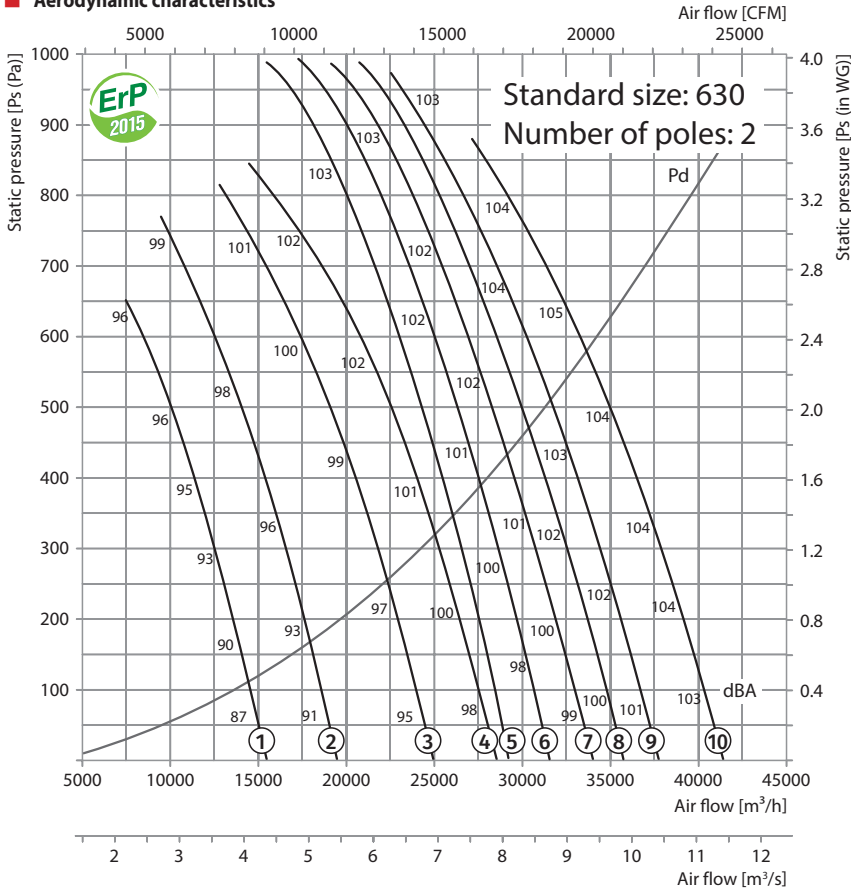
Size	Number of poles	Voltage [V/50 Hz]	Fan model with aluminum blades impeller (AL)	Fans model with fiberglass reinforced polyamide blades impeller (PAG)	Installed motor power Ny [kW]	RPM [min ⁻¹]	Q-ty of blades	Blade setting angle [°]	Weight [kg]	Lenght L [mm]	Curve number on graph
630	4	3~400	-	VPVO-630-4D/0,37-8/25/PAG	0.37	1440	8	25	67.9	350	①
			VPVO-630-4D/0,55-8/30/PAG	0.55	1440	8	30	71	350 (450*)	②	
			VPVO-630-4D/0,75-8/35/PAG	0.75	1440	8	35	71.8	450	③	
			VPVO-630-4D/1,1-8/40/PAG	1.1	1440	8	40	77	450	④	
			VPVO-630-4D/1,5-6/32,5/PAG	1.5	1440	6	32.5	81.1	450	⑤	
			VPVO-630-4D/1,5-8/45/PAG	1.5	1440	8	45	80	450	⑥	
			VPVO-630-4D/1,5-6/37,5/PAG	1.5	1440	6	37.5	81.1	450	⑦	
			VPVO-630-4D/2,2-6/40/PAG	2.2	1440	6	40	83.2	450 (550*)	⑧	
			VPVO-630-4D/2,2-6/45/PAG	2.2	1440	6	45	83.2	450 (550*)	⑨	

* Including a motor with energy efficiency IE3

Accessories:



Aerodynamic characteristics

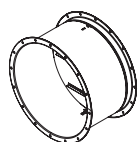


Technical data:

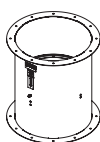
Size	Number of poles	Voltage [V/50 Hz]	Fan model with aluminum blades impeller (AL)	Fans model with fiberglass reinforced polyamide blades impeller (PAG)	Installed motor power Ny [kW]	RPM [min ⁻¹]	Q-ty of blades	Blade setting angle [°]	Weight [kg]	Length L [mm]	Curve number on graph
630	2	3~400	-	VPVO-630-2D/3-8/25/PAG	3	2880	8	25	88	450 (550*)	①
			VPVO-630-2D/4-8/30/AL	VPVO-630-2D/4-8/30/PAG	4	2880	8	30	98.1	550	②
			VPVO-630-2D/5,5-8/35/AL	VPVO-630-2D/5,5-8/35/PAG	5.5	2880	8	35	119.5	550	③
			VPVO-630-2D/7,5-8/40/AL	VPVO-630-2D/7,5-8/40/PAG	7.5	2880	8	40	123.5	550 (650*)	④
			VPVO-630-2D/9,2-6/30/AL	VPVO-630-2D/9,2-6/30/PAG	9.2	2880	6	30	130.1	650	⑤
			VPVO-630-2D/11-6/32,5/AL	VPVO-630-2D/11-6/32,5/PAG	11	2880	6	32.5	154.1	650 (750*)	⑥
			VPVO-630-2D/11-6/35/AL	VPVO-630-2D/11-6/35/PAG	11	2880	6	35	154.1	650 (750*)	⑦
			VPVO-630-2D/15-6/37,5/AL	VPVO-630-2D/15-6/37,5/PAG	15	2880	6	37.5	166.7	750	⑧
			VPVO-630-2D/15-6/40/AL	VPVO-630-2D/15-6/40/PAG	15	2880	6	40	166.7	750	⑨
			VPVO-630-2D/18,5-6/45/AL	VPVO-630-2D/18,5-6/45/PAG	18.5	2880	6	45	179.8	750	⑩

* Including a motor with energy efficiency IE3

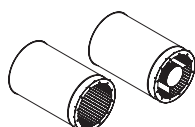
Accessories:



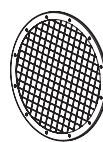
KOM-VO
backdraft damper



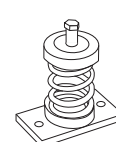
KOM1-VO
backdraft damper



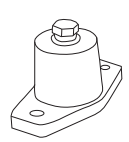
SR SRV
silencer



SZ-VO
protective mesh

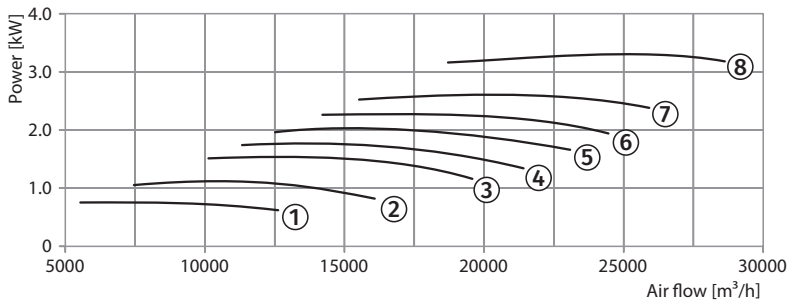
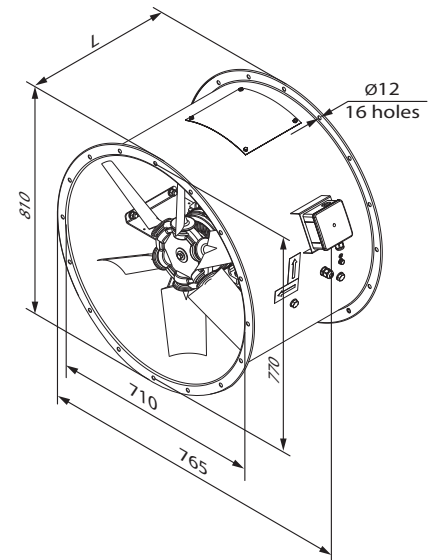
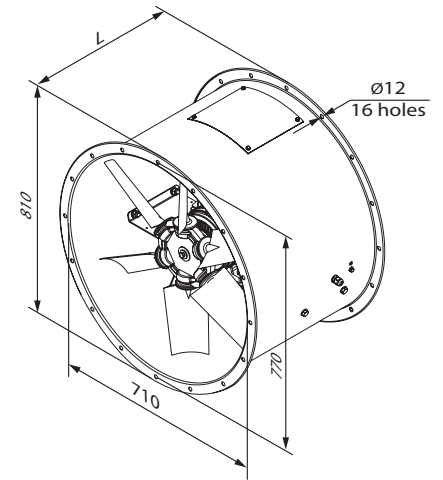
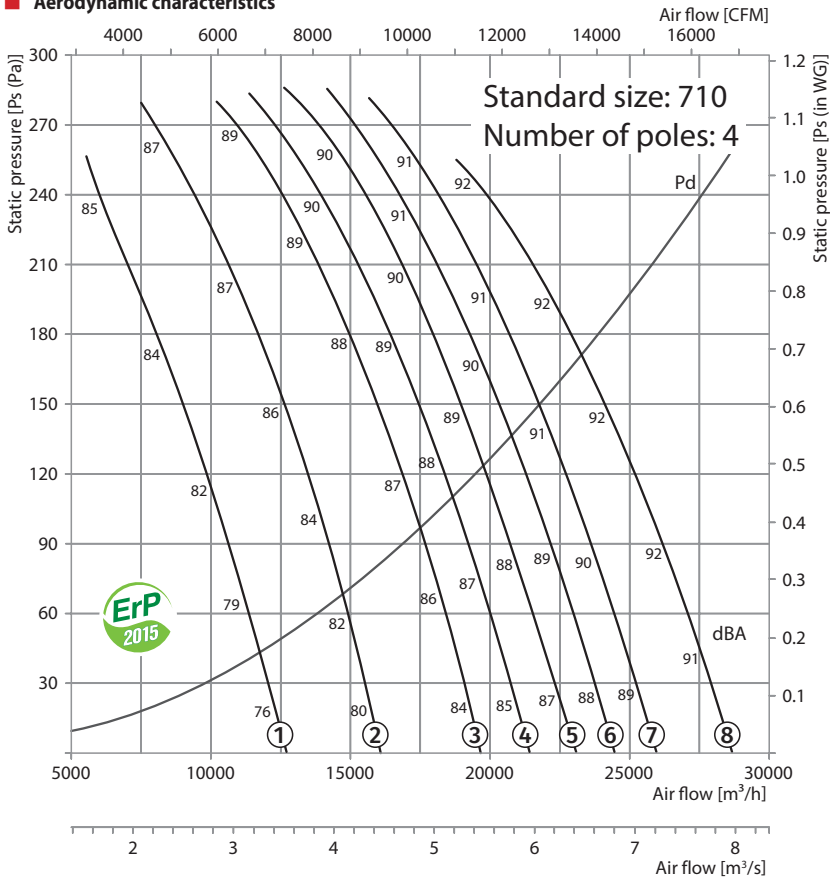


VVCp
anti-vibration mount



VVCr
anti-vibration mount

Aerodynamic characteristics

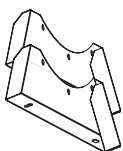


Technical data:

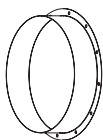
Size	Number of poles	Voltage [V/50 Hz]	Fan model with aluminum blades impeller (AL)	Fans model with fiberglass reinforced polyamide blades impeller (PAG)	Installed motor power Ny [kW]	RPM [min ⁻¹]	Q-ty of blades	Blade setting angle [°]	Weight [kg]	Lenght L [mm]	Curve number on graph
710	4	3~400	VPVO-710-4D/0,75-6/20/AL	VPVO-710-4D/0,75-6/20/PAG	0.75	1440	6	20	99.1	450	①
			VPVO-710-4D/1,1-6/25/AL	VPVO-710-4D/1,1-6/25/PAG	1.1	1440	6	25	104.3	450	②
			VPVO-710-4D/1,5-6/30/AL	VPVO-710-4D/1,5-6/30/PAG	1.5	1440	6	30	107.3	450	③
			VPVO-710-4D/2,2-6/32,5/AL	VPVO-710-4D/2,2-6/32,5/PAG	2.2	1440	6	32.5	109.4	450 (550*)	④
			VPVO-710-4D/2,2-6/35/AL	VPVO-710-4D/2,2-6/35/PAG	2.2	1440	6	35	109.4	450 (550*)	⑤
			VPVO-710-4D/2,2-6/37,5/AL	VPVO-710-4D/2,2-6/37,5/PAG	2.2	1440	6	37.5	109.4	450 (550*)	⑥
			VPVO-710-4D/3-6/40/AL	VPVO-710-4D/3-6/40/PAG	3	1440	6	40	118.3	550	⑦
			VPVO-710-4D/4-6/45/AL	VPVO-710-4D/4-6/45/PAG	4	1440	6	45	129.4	550	⑧

* Including a motor with energy efficiency IE3

Accessories:



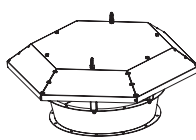
O-VO carrier



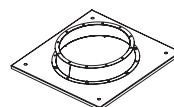
F-VO flange



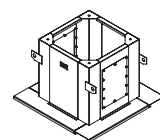
VVGf-VO flexible joint



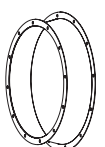
Z-VO hood



PK-VO roof adapter

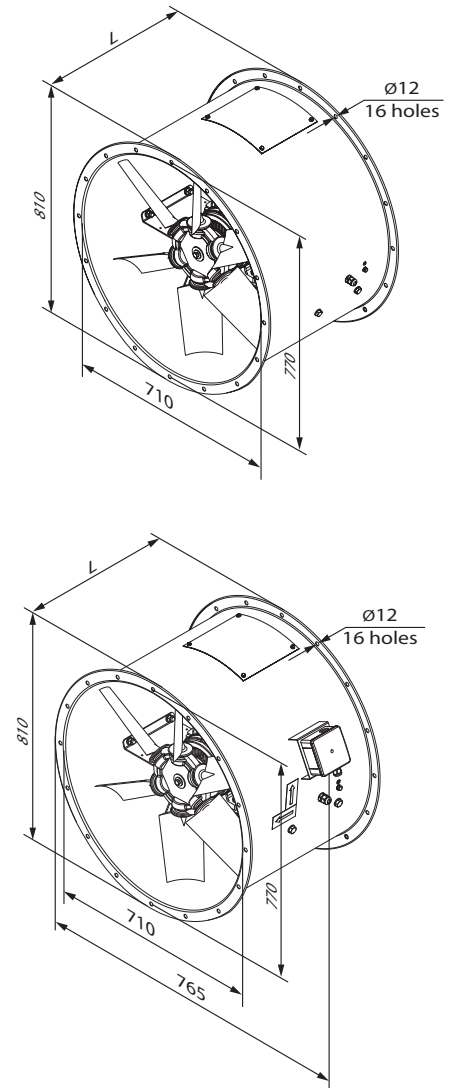
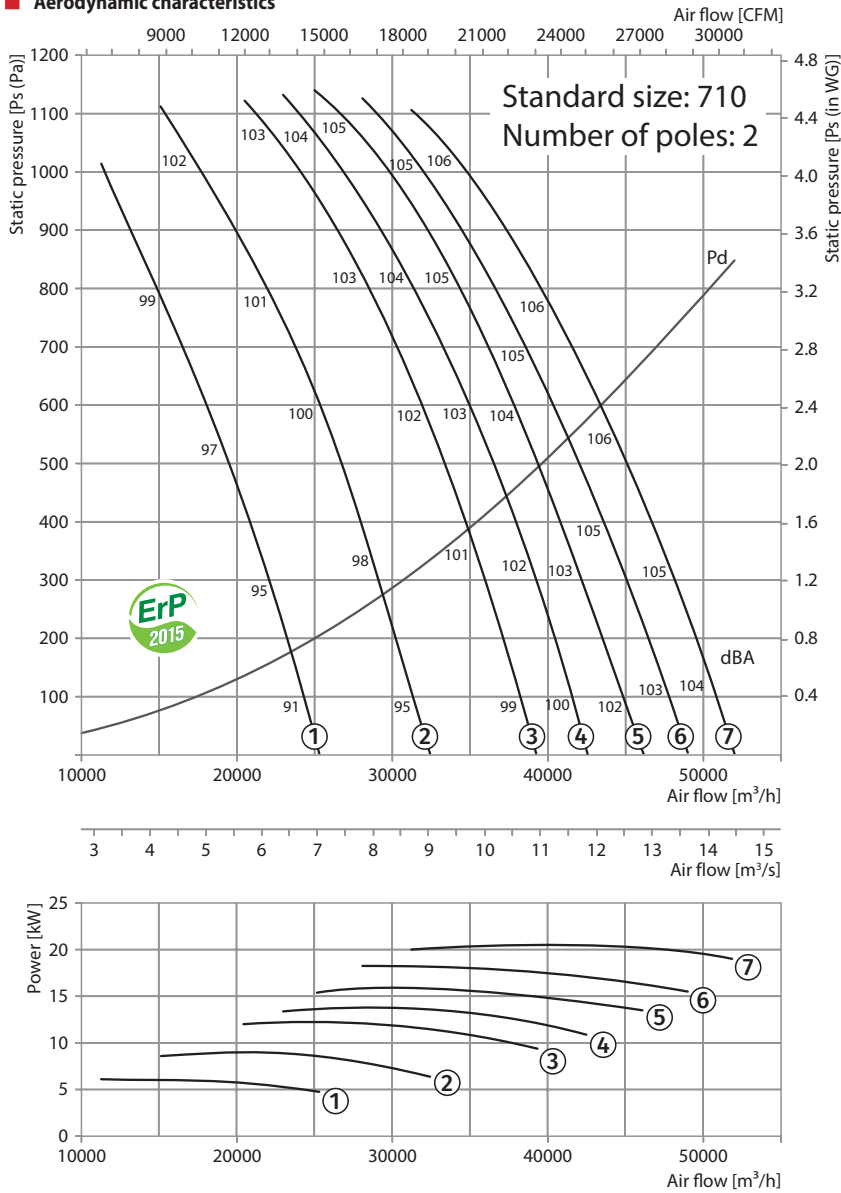


SM-VO mounting curb



VK-VO inlet cone

Aerodynamic characteristics

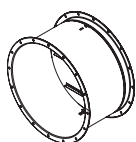


Technical data:

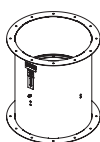
Size	Number of poles	Voltage [V/50 Hz]	Fan model with aluminum blades impeller (AL)	Fans model with fiberglass reinforced polyamide blades impeller (PAG)	Installed motor power Ny [kW]	RPM [min ⁻¹]	Q-ty of blades	Blade setting angle [°]	Weight [kg]	Lenght L [mm]	Curve number on graph
710	2	3~400	VPVO-710-2D/7,5-6/20/AL	VPVO-710-2D/7,5-6/20/PAG	7.5	2880	6	20	150.8	550 (650*)	①
			VPVO-710-2D/9,2-6/25/AL	VPVO-710-2D/9,2-6/25/PAG	9.2	2880	6	25	156.3	650	②
			VPVO-710-2D/15-6/30/AL	VPVO-710-2D/15-6/30/PAG	15	2880	6	30	192.9	750	③
			VPVO-710-2D/15-6/32,5/AL	VPVO-710-2D/15-6/32,5/PAG	15	2880	6	32.5	192.9	750	④
			VPVO-710-2D/18,5-6/35/AL	VPVO-710-2D/18,5-6/35/PAG	18.5	2880	6	35	206	750	⑤
			VPVO-710-2D/18,5-6/37,5/AL	VPVO-710-2D/18,5-6/37,5/PAG	18.5	2880	6	37.5	206	750	⑥
			VPVO-710-2D/22-6/40/AL	VPVO-710-2D/22-6/40/PAG	22	2880	6	40	246	850	⑦

* Including a motor with energy efficiency IE3

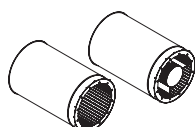
Accessories:



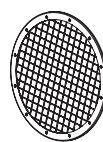
KOM-VO
backdraft damper



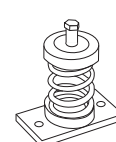
KOM1-VO
backdraft damper



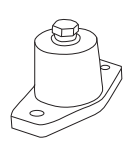
SR SRV
silencer



SZ-VO
protective mesh

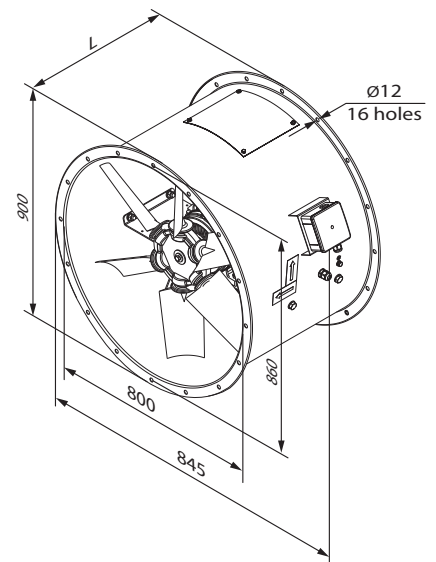
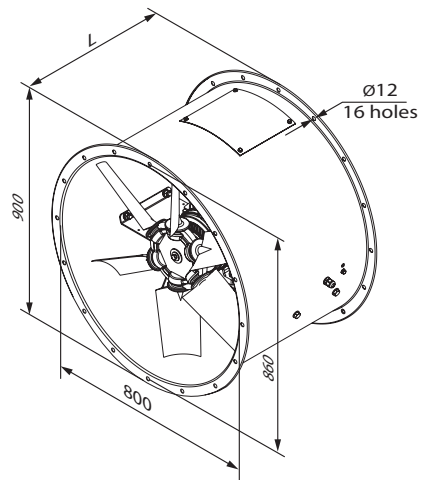
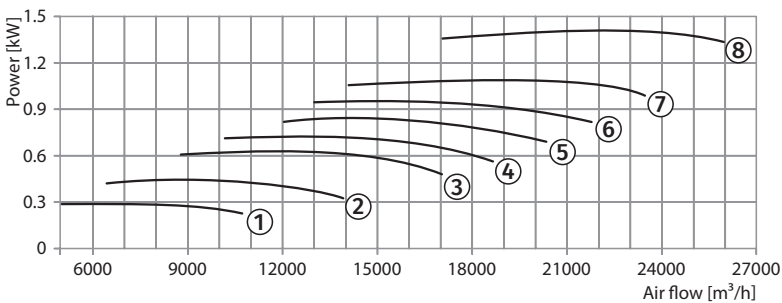
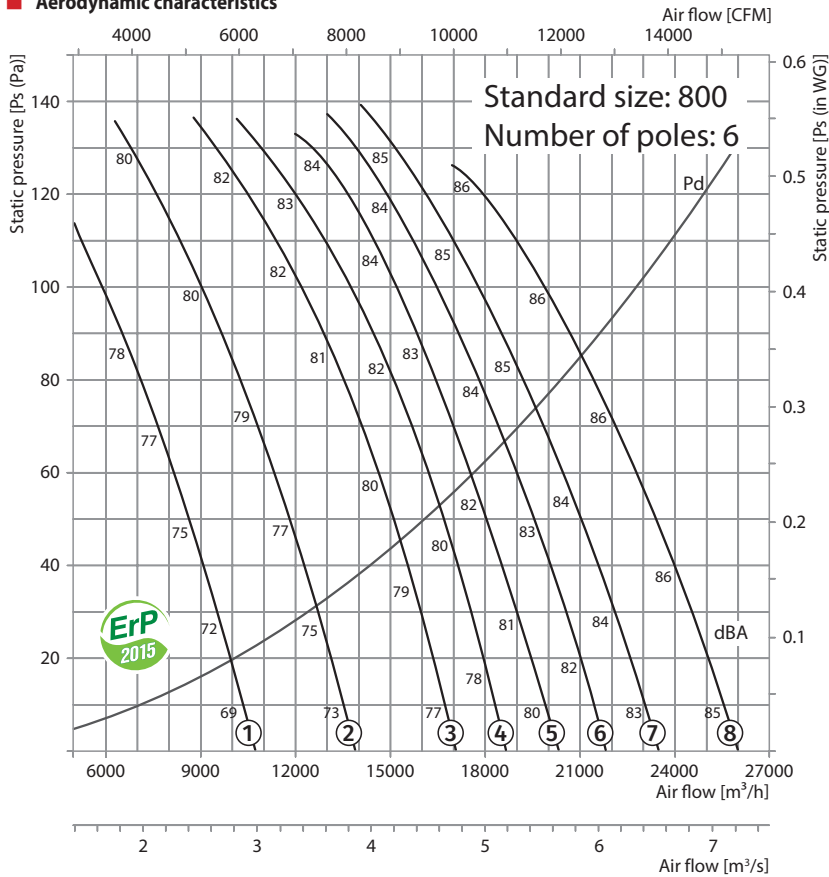


VVCp
anti-vibration mount



VVCr
anti-vibration mount

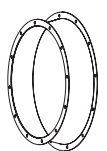
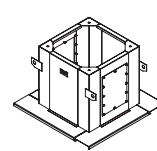
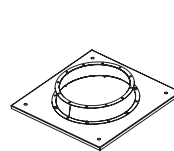
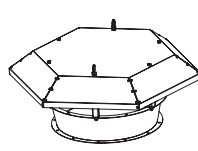
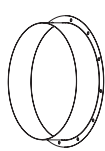
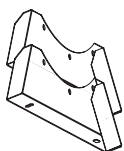
Aerodynamic characteristics



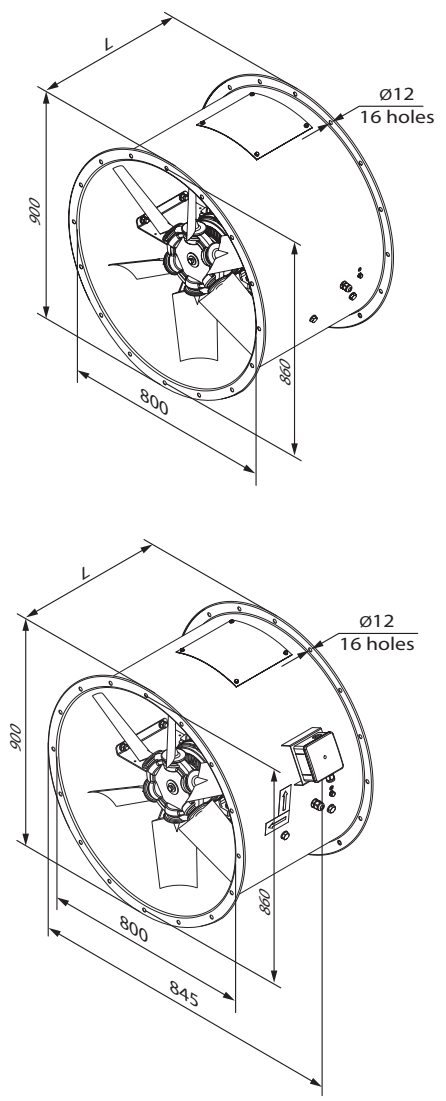
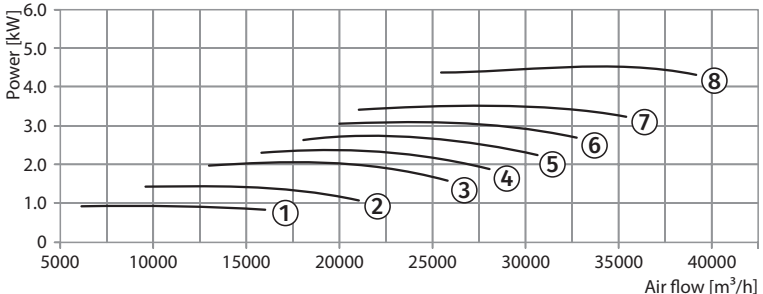
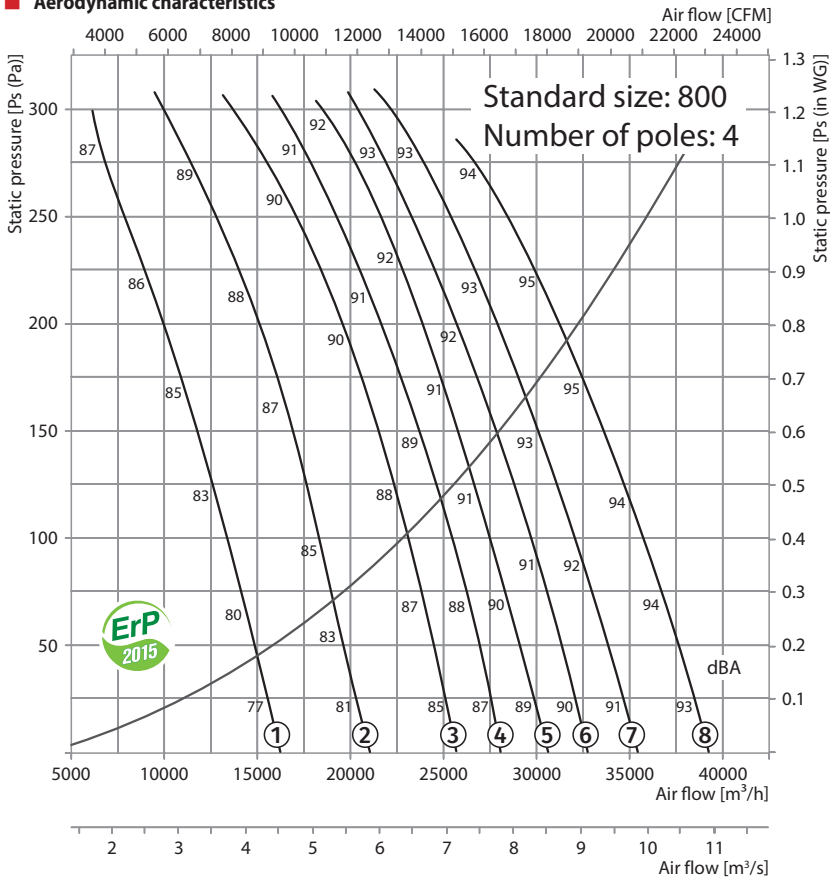
Technical data:

Size	Number of poles	Voltage [V/50 Hz]	Fan model with aluminum blades impeller (AL)	Fans model with fiberglass reinforced polyamide blades impeller (PAG)	Installed motor power Ny [kW]	RPM [min ⁻¹]	Q-ty of blades	Blade setting angle [°]	Weight [kg]	Lenght L [mm]	Curve number on graph
800	6	3~400	VPVO-800-6D/0,37-6/20/AL	VPVO-800-6D/0,37-6/20/PAG	0.37	960	6	20	109.6	450	①
			VPVO-800-6D/0,55-6/25/AL	VPVO-800-6D/0,55-6/25/PAG	0.55	960	6	25	111.1	450	②
			VPVO-800-6D/0,75-6/30/AL	VPVO-800-6D/0,75-6/30/PAG	0.75	960	6	30	116.4	450	③
			VPVO-800-6D/0,75-6/32,5/AL	VPVO-800-6D/0,75-6/32,5/PAG	0.75	960	6	32.5	116.4	450	④
			VPVO-800-6D/1,1-6/35/AL	VPVO-800-6D/1,1-6/35/PAG	1.1	960	6	35	116.5	450	⑤
			VPVO-800-6D/1,1-6/37,5/AL	VPVO-800-6D/1,1-6/37,5/PAG	1.1	960	6	37.5	116.5	450	⑥
			VPVO-800-6D/1,1-6/40/AL	VPVO-800-6D/1,1-6/40/PAG	1.1	960	6	40	116.5	450	⑦
			VPVO-800-6D/1,5-6/45/AL	VPVO-800-6D/1,5-6/45/PAG	1.5	960	6	45	124.6	550	⑧

Accessories:



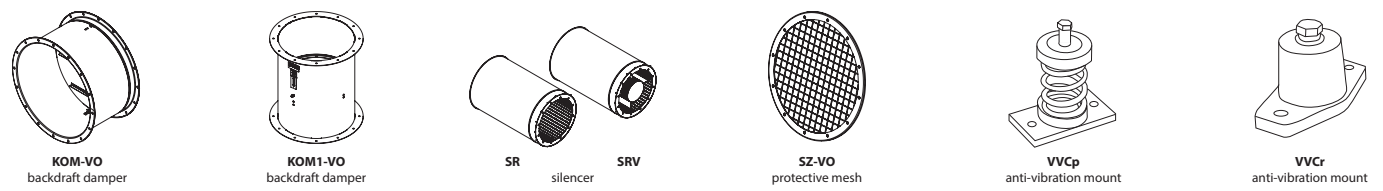
Aerodynamic characteristics



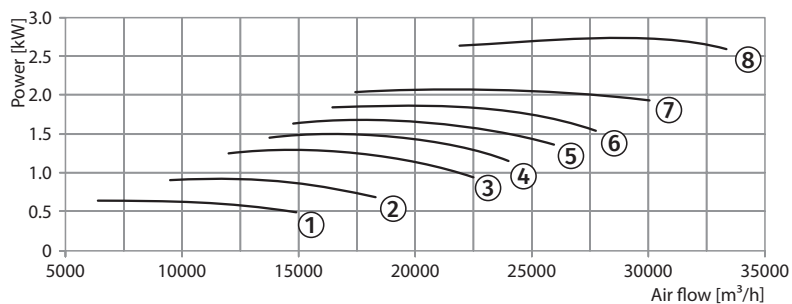
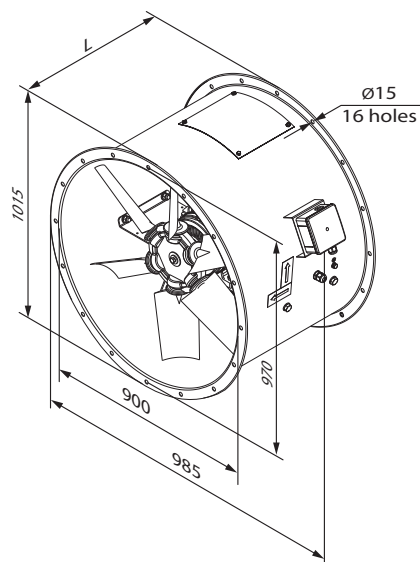
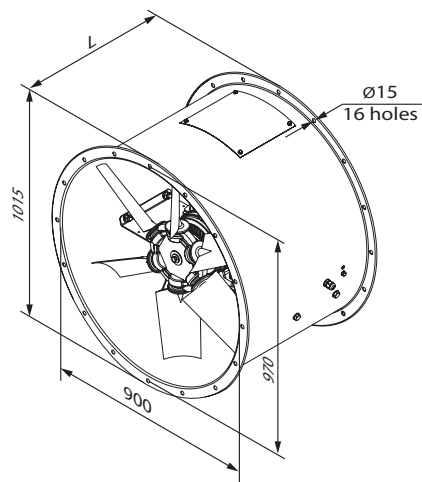
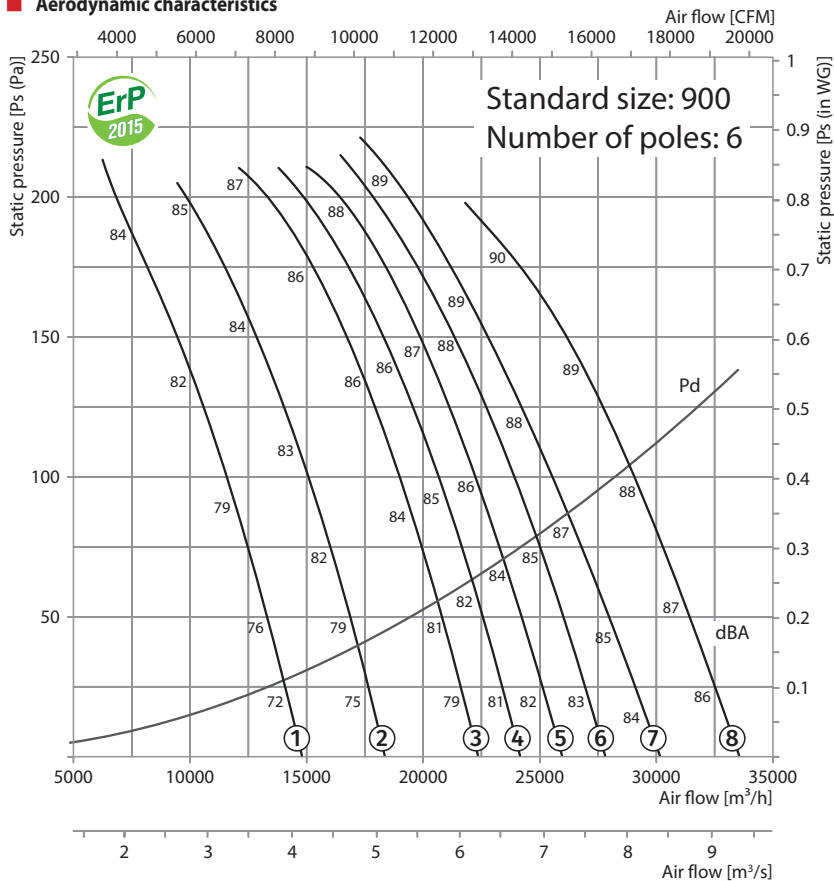
Technical data:

Size	Number of poles	Voltage [V/50 Hz]	Fan model with aluminum blades impeller (AL)	Fans model with fiberglass reinforced polyamide blades impeller (PAG)	Installed motor power Ny [kW]	RPM [min ⁻¹]	Q-ty of blades	Blade setting angle [°]	Weight [kg]	Lenght L [mm]	Curve number on graph
800	4	3~400	VPVO-800-4D/1,1-6/20/AL	VPVO-800-4D/1,1-6/20/PAG	1.1	1440	6	20	115.6	450	①
			VPVO-800-4D/1,5-6/25/AL	VPVO-800-4D/1,5-6/25/PAG	1.5	1440	6	25	118.6	450	②
			VPVO-800-4D/2,2-6/30/AL	VPVO-800-4D/2,2-6/30/PAG	2.2	1440	6	30	120.7	450/550	③
			VPVO-800-4D/3-6/32,5/AL	VPVO-800-4D/3-6/32,5/PAG	3	1440	6	32.5	129.6	550	④
			VPVO-800-4D/3-6/35/AL	VPVO-800-4D/3-6/35/PAG	3	1440	6	35	129.6	550	⑤
			VPVO-800-4D/4-6/37,5/AL	VPVO-800-4D/4-6/37,5/PAG	4	1440	6	37.5	140.7	550	⑥
			VPVO-800-4D/4-6/40/AL	VPVO-800-4D/4-6/40/PAG	4	1440	6	40	140.7	550	⑦
			VPVO-800-4D/5,5-6/45/AL	VPVO-800-4D/5,5-6/45/PAG	5.5	1440	6	45	157.6	550	⑧

Accessories:



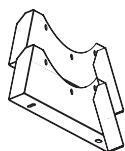
Aerodynamic characteristics



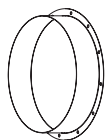
Technical data:

Size	Number of poles	Voltage [V/50 Hz]	Fan model with aluminum blades impeller (AL)	Fans model with fiberglass reinforced polyamide blades impeller (PAG)	Installed motor power Ny [kW]	RPM [min ⁻¹]	Q-ty of blades	Blade setting angle [°]	Weight [kg]	Lenght L [mm]	Curve number on graph
900	6	3~400	VPVO-900-6D/0,75-8/20/AL	VPVO-900-6D/0,75-8/20/PAG	0.75	960	8	20	121.6	450	①
			VPVO-900-6D/1,1-8/25/AL	VPVO-900-6D/1,1-8/25/PAG	1.1	960	8	25	121.7	450	②
			VPVO-900-6D/1,5-8/30/AL	VPVO-900-6D/1,5-8/30/PAG	1.5	960	8	30	129.8	550	③
			VPVO-900-6D/1,5-8/32,5/AL	VPVO-900-6D/1,5-8/32,5/PAG	1.5	960	8	32.5	129.8	550	④
			VPVO-900-6D/2,2-8/35/AL	VPVO-900-6D/2,2-8/35/PAG	2.2	960	8	35	135.3	550	⑤
			VPVO-900-6D/2,2-8/37,5/AL	VPVO-900-6D/2,2-8/37,5/PAG	2.2	960	8	37.5	135.3	550	⑥
			VPVO-900-6D/2,2-8/40/AL	VPVO-900-6D/2,2-8/40/PAG	2.2	960	8	40	135.3	550	⑦
			VPVO-900-6D/3-8/45/AL	VPVO-900-6D/3-8/45/PAG	3	960	8	45	155.8	650	⑧

Accessories:



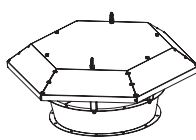
O-VO carrier



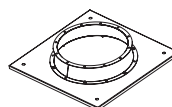
F-VO flange



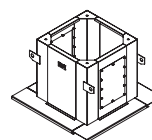
VVGf-VO flexible joint



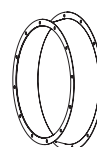
Z-VO hood



PK-VO roof adapter

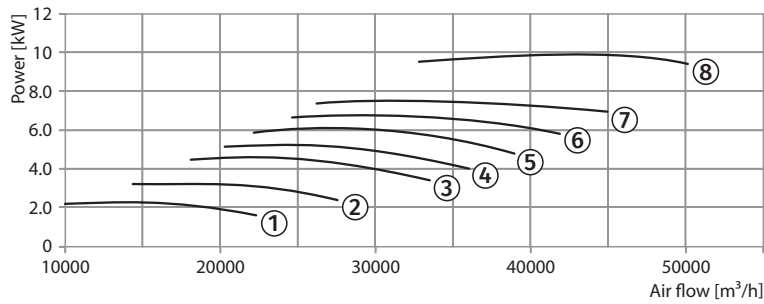
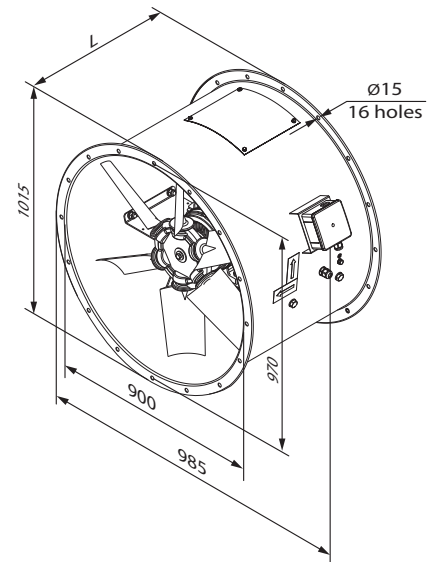
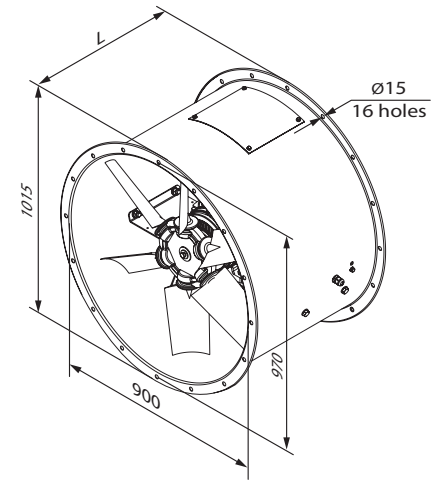
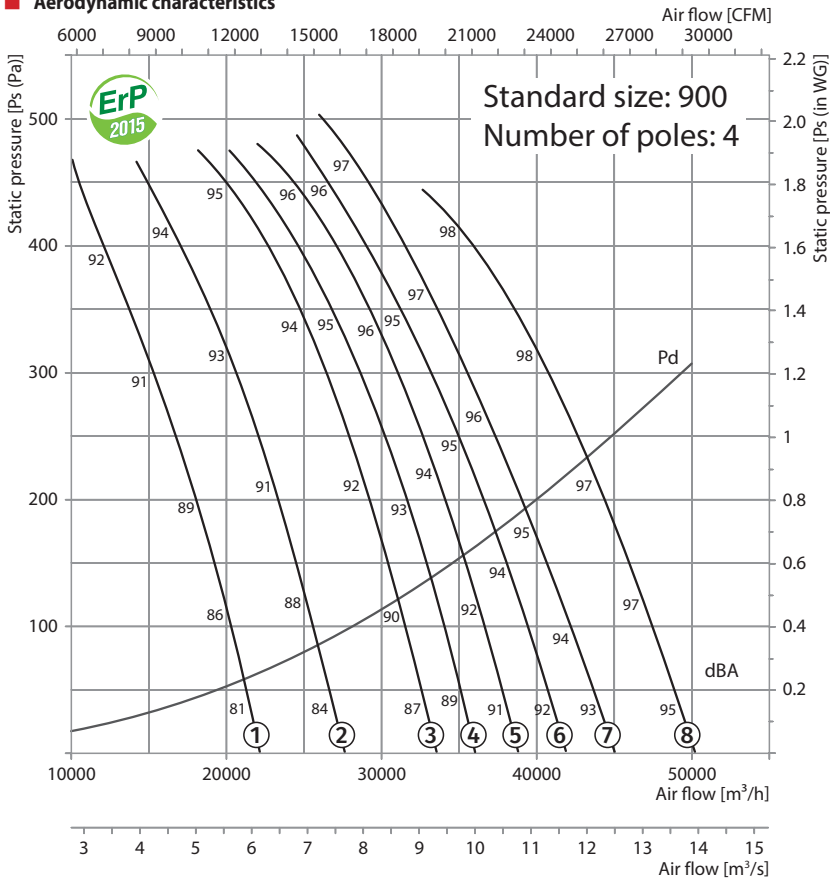


SM-VO mounting curb



VK-VO inlet cone

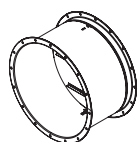
Aerodynamic characteristics



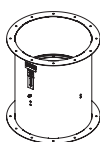
Technical data:

Size	Number of poles	Voltage [V/50 Hz]	Fan model with aluminum blades impeller (AL)	Fans model with fiberglass reinforced polyamide blades impeller (PAG)	Installed motor power Ny [kW]	RPM [min ⁻¹]	Q-ty of blades	Blade setting angle [°]	Weight [kg]	Length L [mm]	Curve number on graph
900	4	3~400	VPVO-900-4D/3-8/20/AL	VPVO-900-4D/3-8/20/PAG	3	1440	8	20	134.8	550	①
			VPVO-900-4D/4-8/25/AL	VPVO-900-4D/4-8/25/PAG	4	1440	8	25	145.9	550	②
			VPVO-900-4D/5-8/30/AL	VPVO-900-4D/5-8/30/PAG	5.5	1440	8	30	162.8	550	③
			VPVO-900-4D/5-8/32,5/AL	VPVO-900-4D/5-8/32,5/PAG	5.5	1440	8	32.5	162.8	550	④
			VPVO-900-4D/7,5-8/35/AL	VPVO-900-4D/7,5-8/35/PAG	7.5	1440	8	35	165.3	650	⑤
			VPVO-900-4D/7,5-8/37,5/AL	VPVO-900-4D/7,5-8/37,5/PAG	7.5	1440	8	37.5	165.3	650	⑥
			VPVO-900-4D/7,5-8/40/AL	VPVO-900-4D/7,5-8/40/PAG	7.5	1440	8	40	165.3	650	⑦
			VPVO-900-4D/11-8/45/AL	VPVO-900-4D/11-8/45/PAG	11.0	1440	8	45	199.6	750	⑧

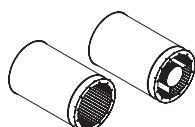
Accessories:



KOM-VO backdraft damper



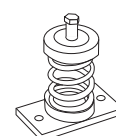
KOM1-VO backdraft damper



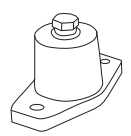
SR SRV silencer



SZ-VO protective mesh

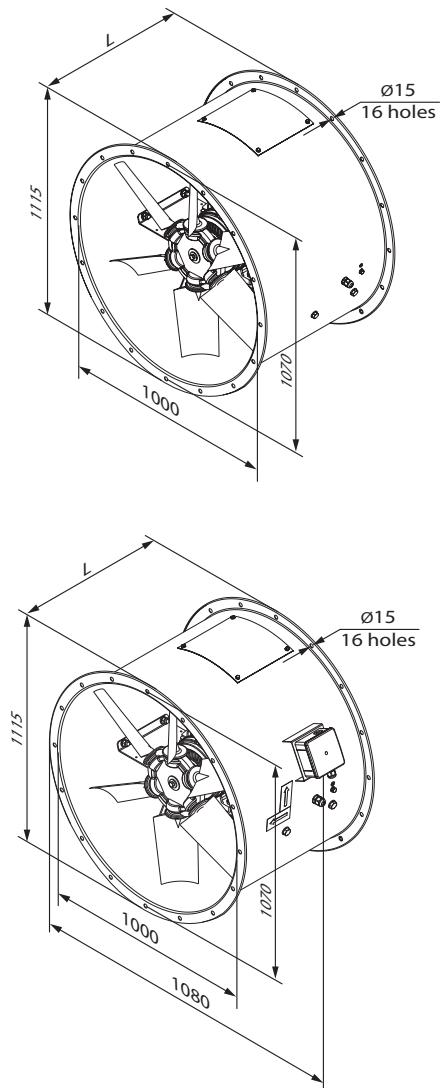
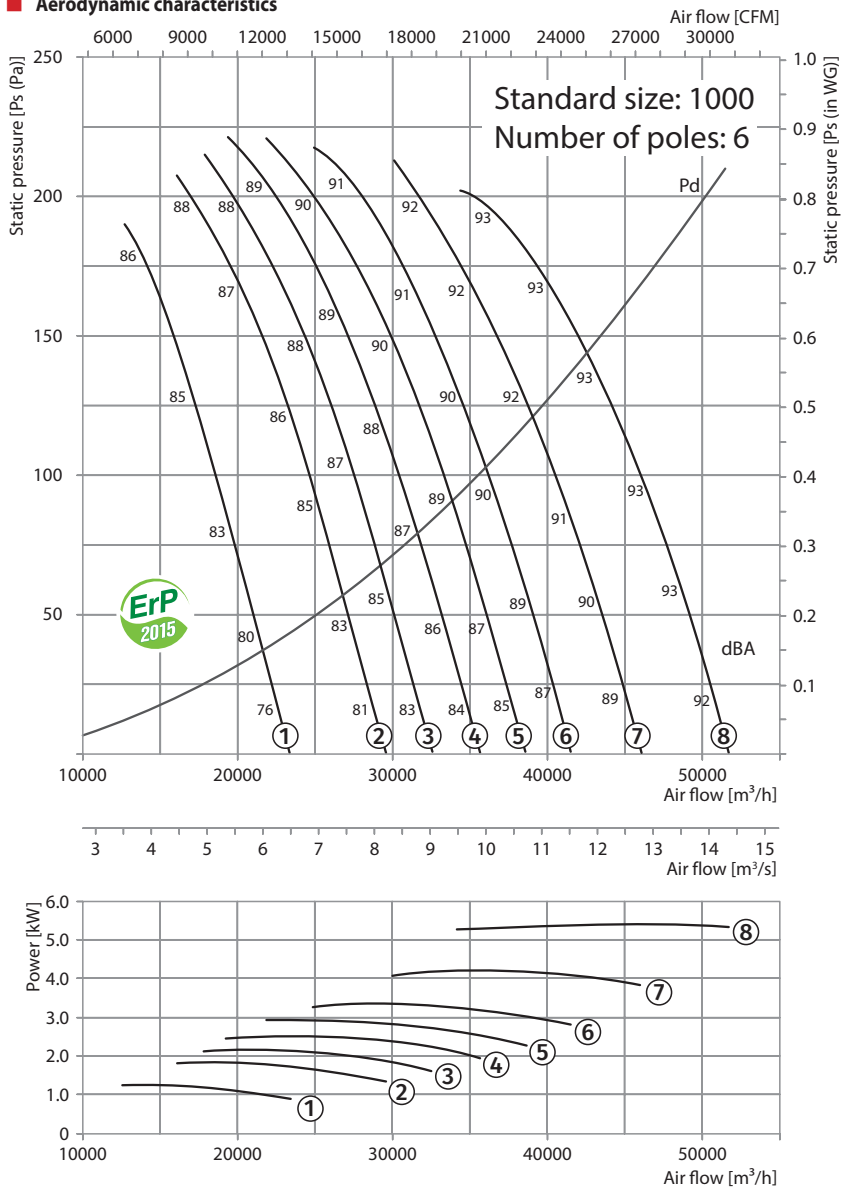


VVCp anti-vibration mount



VVCr anti-vibration mount

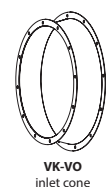
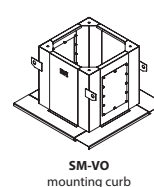
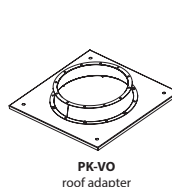
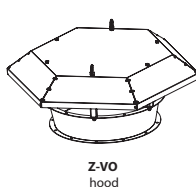
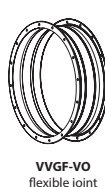
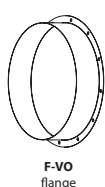
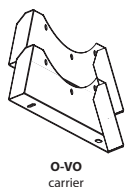
Aerodynamic characteristics



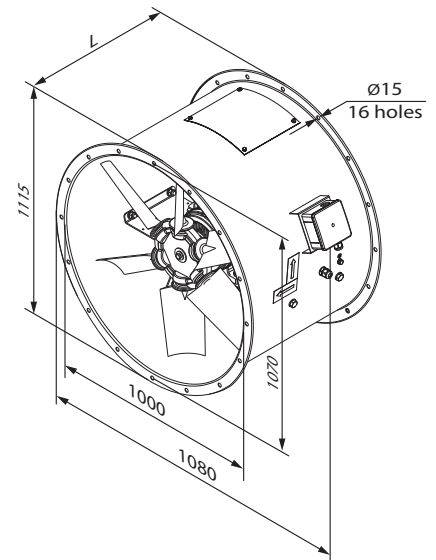
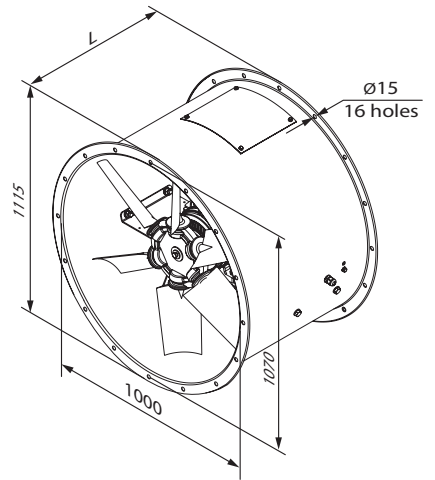
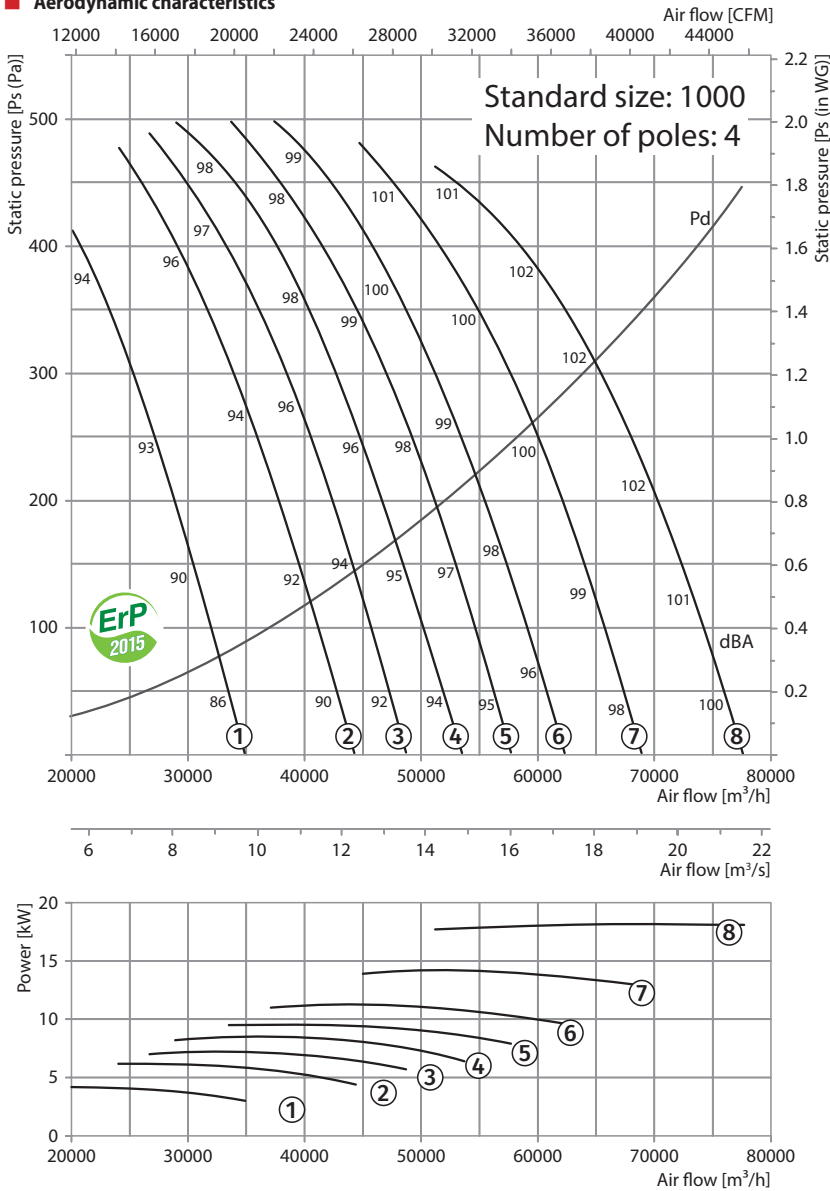
Technical data:

Size	Number of poles	Voltage [V/50 Hz]	Fan model with aluminum blades impeller (AL)	Fans model with fiberglass reinforced polyamide blades impeller (PAG)	Installed motor power Ny [kW]	RPM [min ⁻¹]	Q-ty of blades	Blade setting angle [°]	Weight [kg]	Lenght L [mm]	Curve number on graph
1000	6	3~400	VPVO-1000-6D/1,5-8/25/AL	VPVO-1000-6D/1,5-8/25/PAG	1.5	960	8	25	167.5	550	①
			VPVO-1000-6D/2,2-8/30/AL	VPVO-1000-6D/2,2-8/30/PAG	2.2	960	8	30	173	550	②
			VPVO-1000-6D/2,2-8/32,5/AL	VPVO-1000-6D/2,2-8/32,5/PAG	2.2	960	8	32.5	173	550	③
			VPVO-1000-6D/3-8/35/AL	VPVO-1000-6D/3-8/35/PAG	3	960	8	35	193.5	650	④
			VPVO-1000-6D/3-8/37,5/AL	VPVO-1000-6D/3-8/37,5/PAG	3	960	8	37.5	193.5	650	⑤
			VPVO-1000-6D/4-8/40/AL	VPVO-1000-6D/4-8/40/PAG	4	960	8	40	203.5	650	⑥
			VPVO-1000-6D/5,5-8/45/AL	VPVO-1000-6D/5,5-8/45/PAG	5.5	960	8	45	207.5	650	⑦
			VPVO-1000-6D/5,5-8/50/AL	VPVO-1000-6D/5,5-8/50/PAG	5.5	960	8	50	207.5	650	⑧

Accessories:



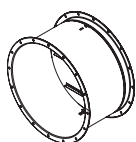
Aerodynamic characteristics



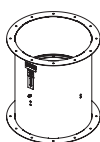
Technical data:

Size	Number of poles	Voltage [V/50 Hz]	Fan model with aluminum blades impeller (AL)	Fans model with fiberglass reinforced polyamide blades impeller (PAG)	Installed motor power Ny [kW]	RPM [min ⁻¹]	Q-ty of blades	Blade setting angle [°]	Weight [kg]	Length L [mm]	Curve number on graph
1000	4	3~400	VPVO-1000-4D/5,5-8/25/AL	VPVO-1000-4D/5,5-8/25/PAG	5.5	1440	8	25	200.5	550	①
			VPVO-1000-4D/7,5-8/30/AL	VPVO-1000-4D/7,5-8/30/PAG	7.5	1440	8	30	203	650	②
			VPVO-1000-4D/7,5-8/32,5/AL	VPVO-1000-4D/7,5-8/32,5/PAG	7.5	1440	8	32.5	203	650	③
			VPVO-1000-4D/9,2-8/35/AL	VPVO-1000-4D/9,2-8/35/PAG	9.2	1440	8	35	233.5	650	④
			VPVO-1000-4D/11-8/37,5/AL	VPVO-1000-4D/11-8/37,5/PAG	11	1440	8	37.5	237.3	800	⑤
			VPVO-1000-4D/11-8/40/AL	VPVO-1000-4D/11-8/40/PAG	11	1440	8	40	237.3	800	⑥
			VPVO-1000-4D/15-8/45/AL	VPVO-1000-4D/15-8/45/PAG	15	1440	8	45	256.4	800	⑦
			VPVO-1000-4D/18,5-8/50/AL	VPVO-1000-4D/18,5-8/50/PAG	18.5	1440	8	50	301.9	900	⑧

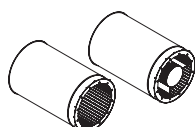
Accessories:



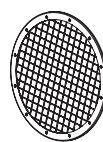
KOM-VO backdraft damper



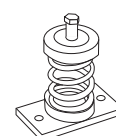
KOM1-VO backdraft damper



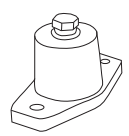
SR SRV silencer



SZ-VO protective mesh

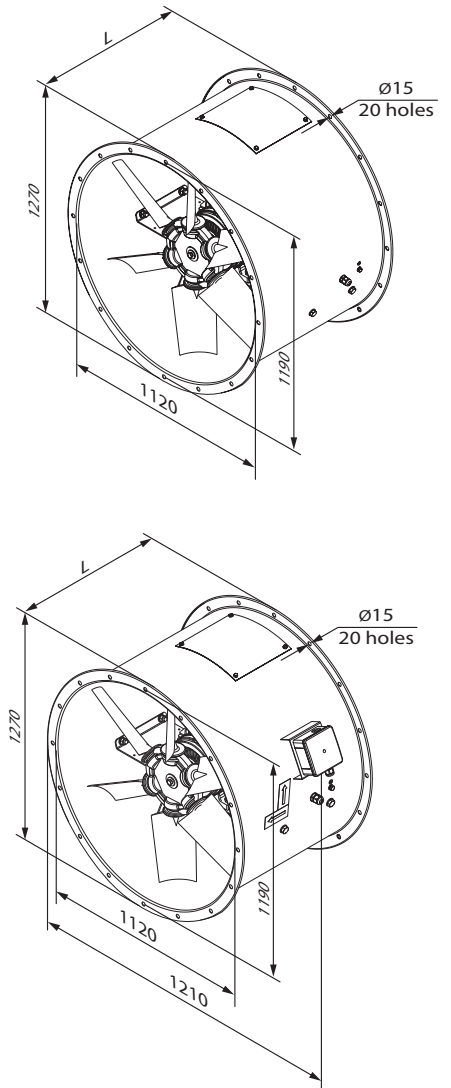
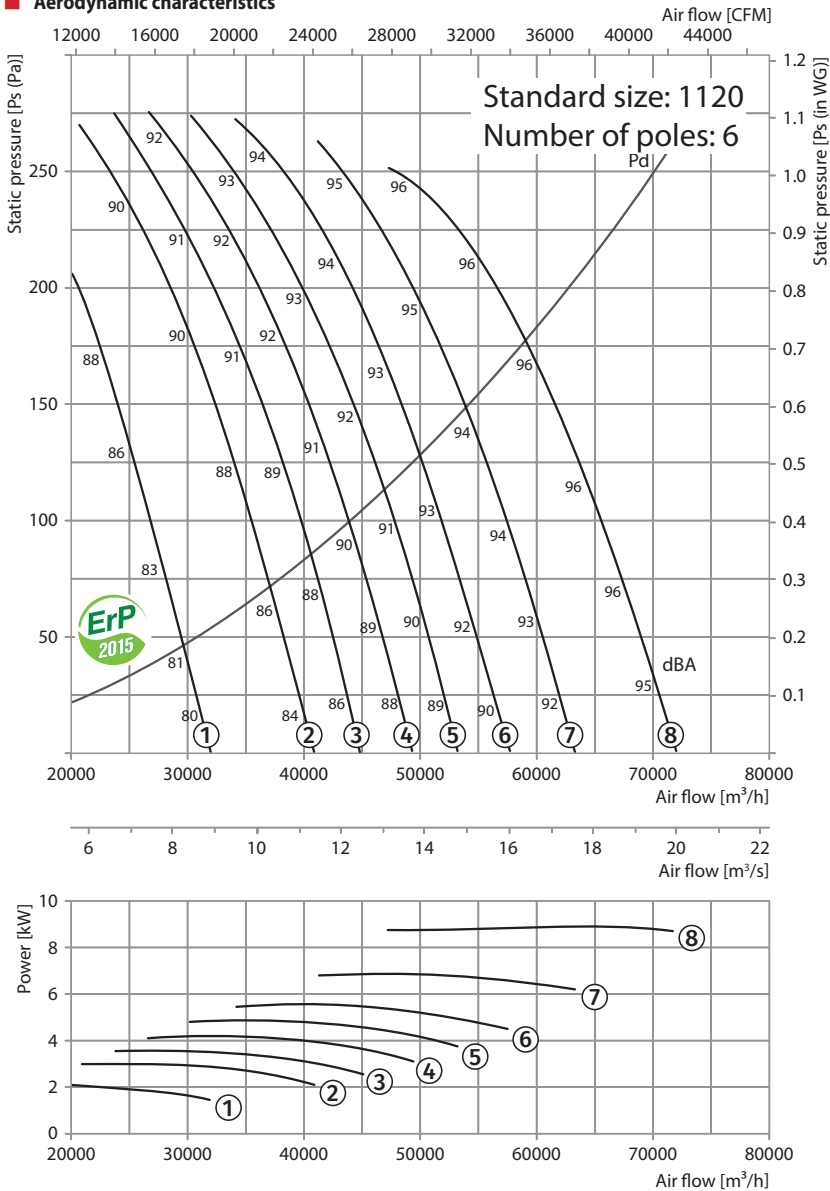


VVCp anti-vibration mount



VVCr anti-vibration mount

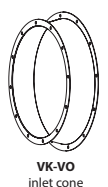
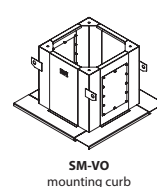
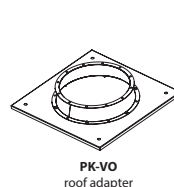
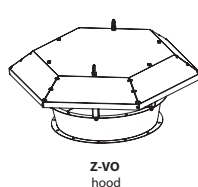
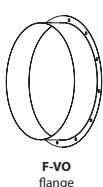
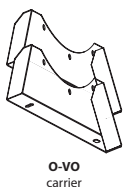
Aerodynamic characteristics



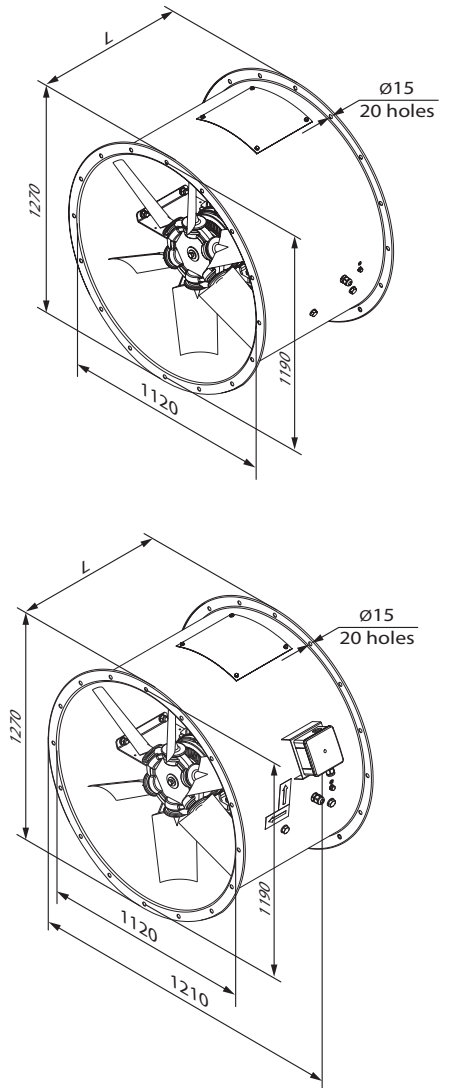
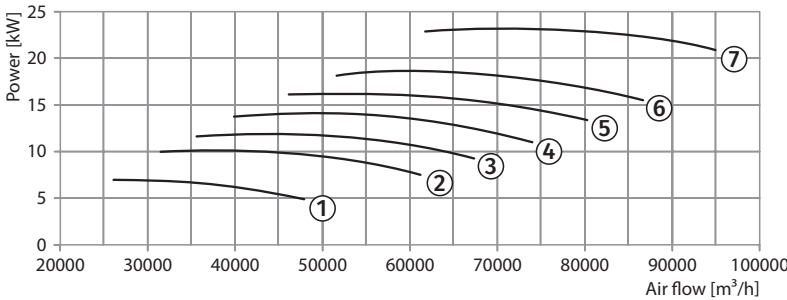
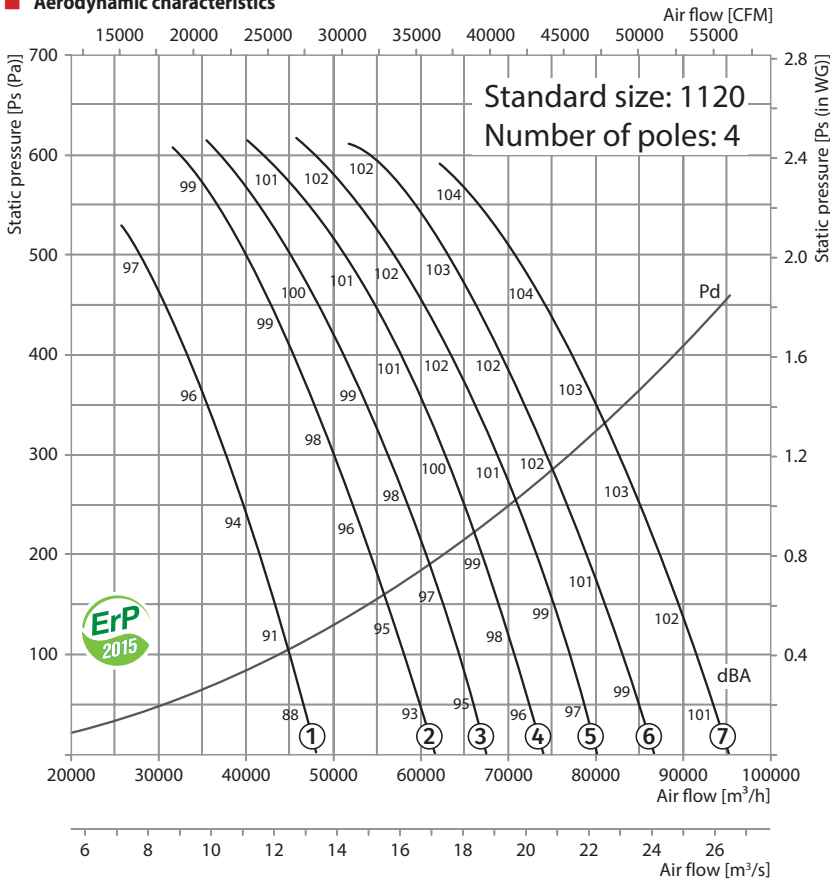
Technical data:

Size	Number of poles	Voltage [V/50 Hz]	Fan model with aluminum blades impeller (AL)	Fans model with fiberglass reinforced polyamide blades impeller (PAG)	Installed motor power Ny [kW]	RPM [min ⁻¹]	Q-ty of blades	Blade setting angle [°]	Weight [kg]	Length L [mm]	Curve number on graph
1120	6	3~400	VPVO-1120-6D/2,2-8/25/AL	VPVO-1120-6D/2,2-8/25/PAG	2.2	960	8	25	192	550	①
			VPVO-1120-6D/3-8/30/AL	VPVO-1120-6D/3-8/30/PAG	3	960	8	30	212.5	650	②
			VPVO-1120-6D/4-8/32,5/AL	VPVO-1120-6D/4-8/32,5/PAG	4	960	8	32.5	222.5	650	③
			VPVO-1120-6D/4-8/35/AL	VPVO-1120-6D/4-8/35/PAG	4	960	8	35	222.5	650	④
			VPVO-1120-6D/5,5-8/37,5/AL	VPVO-1120-6D/5,5-8/37,5/PAG	5.5	960	8	37.5	226.5	650	⑤
			VPVO-1120-6D/5,5-8/40/AL	VPVO-1120-6D/5,5-8/40/PAG	5.5	960	8	40	226.5	650	⑥
			VPVO-1120-6D/7,5-8/45/AL	VPVO-1120-6D/7,5-8/45/PAG	7.5	960	8	45	254.8	800	⑦
			VPVO-1120-6D/9,2-8/50/AL	VPVO-1120-6D/9,2-8/50/PAG	9.2	960	8	50	272.5	800	⑧

Accessories:



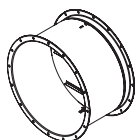
Aerodynamic characteristics



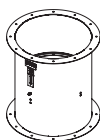
Technical data:

Size	Number of poles	Voltage [V/50 Hz]	Fan model with aluminum blades impeller (AL)	Fans model with fiberglass reinforced polyamide blades impeller (PAG)	Installed motor power Ny [kW]	RPM [min ⁻¹]	Q-ty of blades	Blade setting angle [°]	Weight [kg]	Lenght L [mm]	Curve number on graph
1120	4	3~400	VPVO-1120-4D/7,5-8/25/AL	VPVO-1120-4D/7,5-8/25/PAG	7.5	1440	8	25	222	650	①
			VPVO-1120-4D/11-8/30/AL	VPVO-1120-4D/11-8/30/PAG	11	1440	8	30	256.3	800	②
			VPVO-1120-4D/11-8/32,5/AL	VPVO-1120-4D/11-8/32,5/PAG	11	1440	8	32.5	256.3	800	③
			VPVO-1120-4D/15-8/35/AL	VPVO-1120-4D/15-8/35/PAG	15	1440	8	35	275.4	800	④
			VPVO-1120-4D/18,5-8/37,5/AL	VPVO-1120-4D/18,5-8/37,5/PAG	18.5	1440	8	37.5	320.9	900	⑤
			VPVO-1120-4D/18,5-8/40/AL	VPVO-1120-4D/18,5-8/40/PAG	18.5	1440	8	40	320.9	900	⑥
			VPVO-1120-4D/22-8/45/AL	VPVO-1120-4D/22-8/45/PAG	22	1440	8	45	334.2	900	⑦

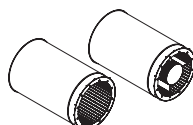
Accessories:



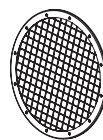
KOM-VO backdraft damper



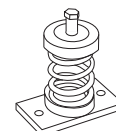
KOM1-VO backdraft damper



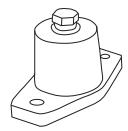
SR silencer SRV



SZ-VO protective mesh

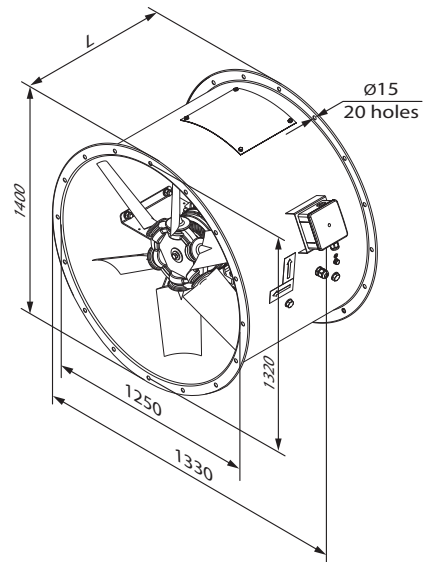
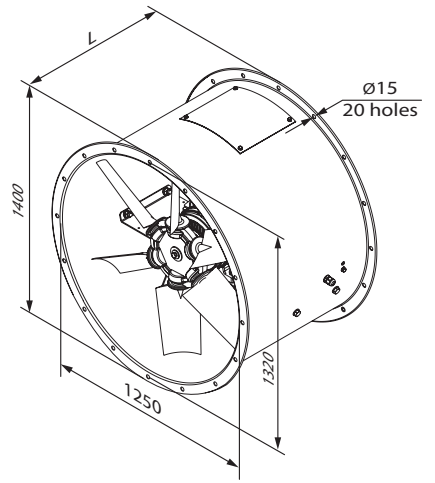
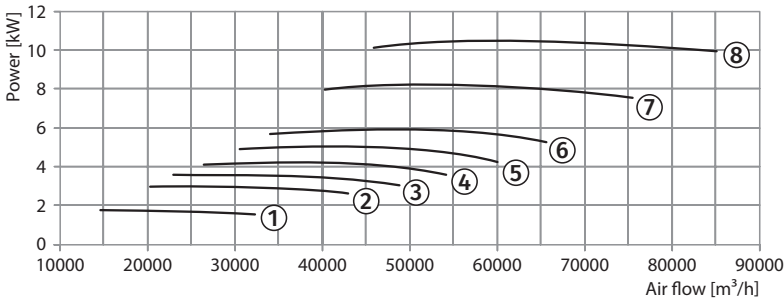
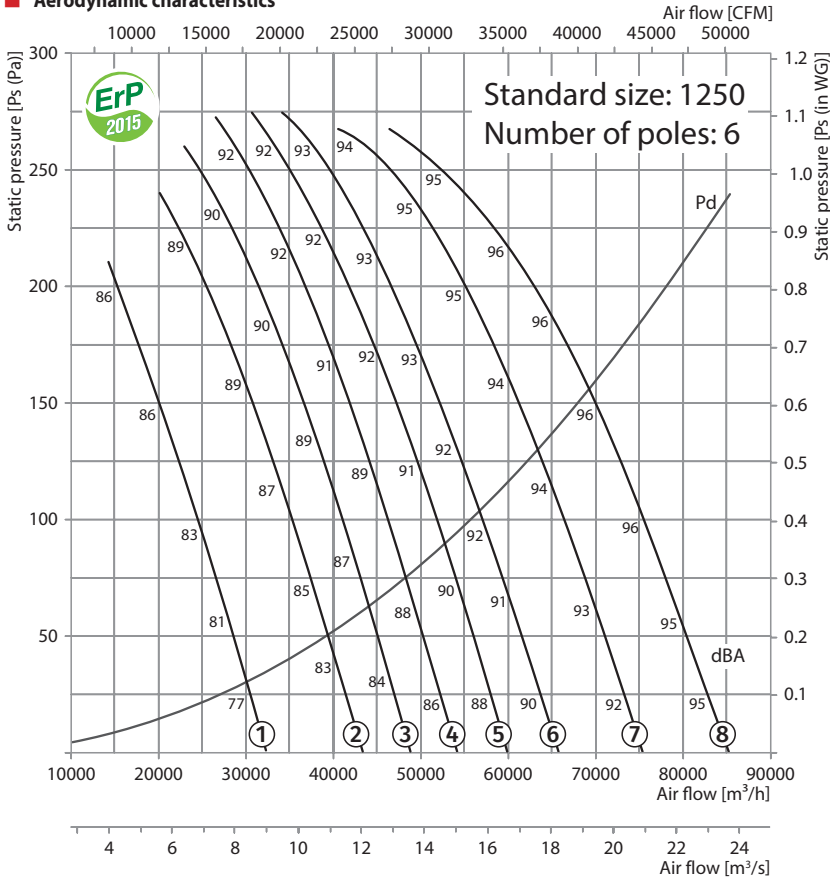


VVCp anti-vibration mount



VVCr anti-vibration mount

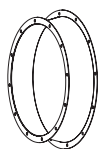
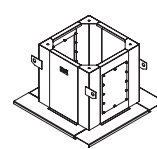
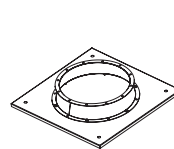
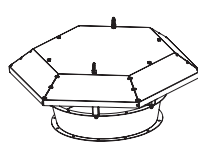
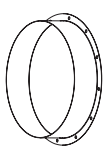
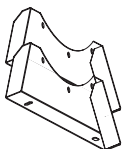
Aerodynamic characteristics



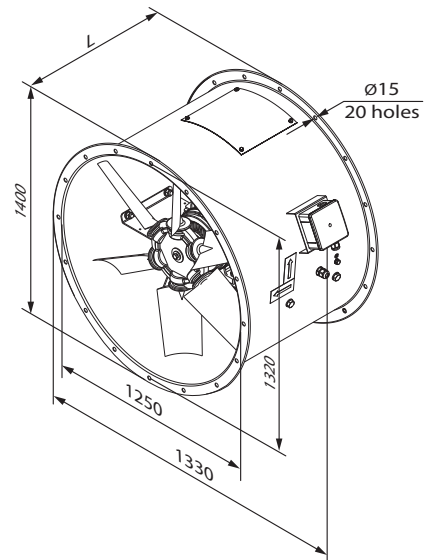
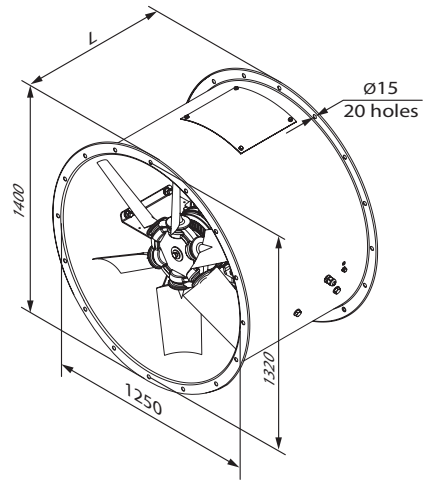
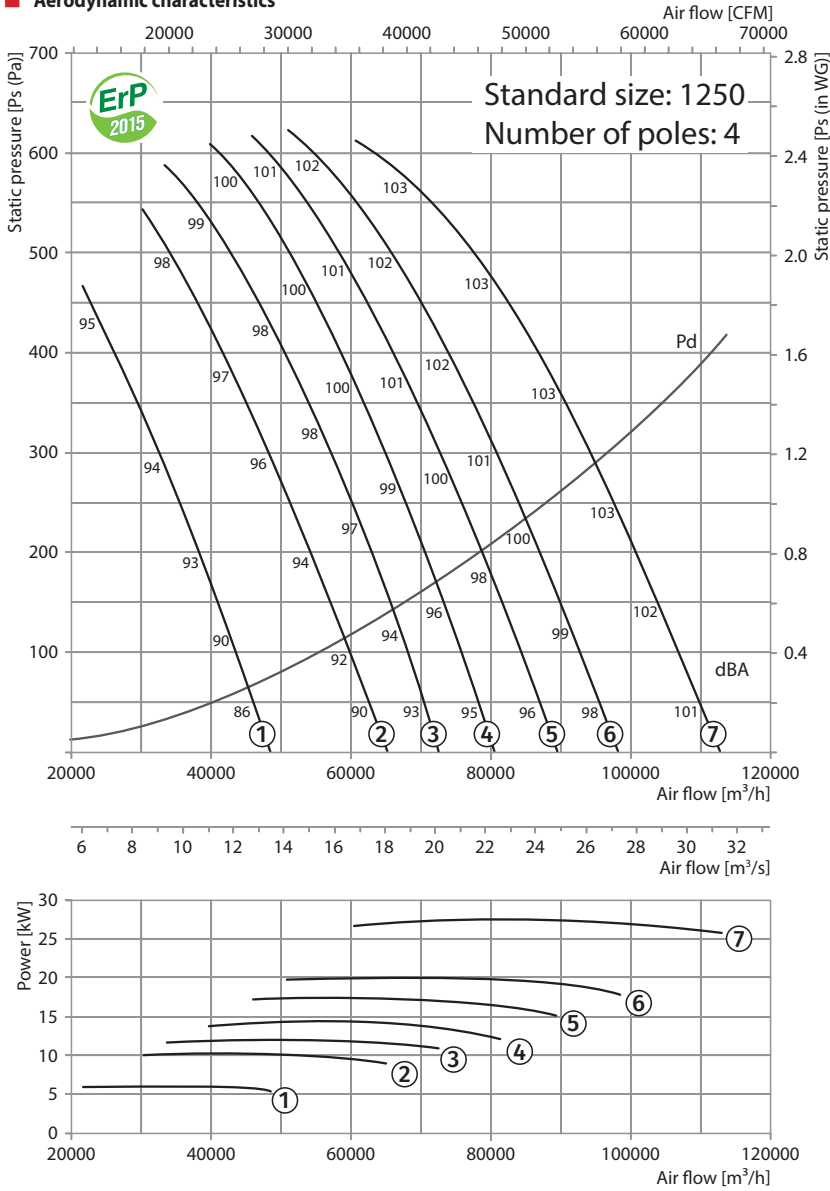
Technical data:

Size	Number of poles	Voltage [V/50 Hz]	Fan model with aluminum blades impeller (AL)	Fans model with fiberglass reinforced polyamide blades impeller (PAG)	Installed motor power Ny [kW]	RPM [min ⁻¹]	Q-ty of blades	Blade setting angle [°]	Weight [kg]	Length L [mm]	Curve number on graph
1250	6	3~400	VPVO-1250-6D/2,2-8/25/AL	VPVO-1250-6D/2,2-8/25/PAG	2.2	960	8	25	211	550	①
			VPVO-1250-6D/3-8/30/AL	VPVO-1250-6D/3-8/30/PAG	3	960	8	30	231.5	650	②
			VPVO-1250-6D/4-8/32,5/AL	VPVO-1250-6D/4-8/32,5/PAG	4	960	8	32.5	241.5	650	③
			VPVO-1250-6D/5,5-8/35/AL	VPVO-1250-6D/5,5-8/35/PAG	5.5	960	8	35	245.5	650	④
			VPVO-1250-6D/5,5-8/37,5/AL	VPVO-1250-6D/5,5-8/37,5/PAG	5.5	960	8	37.5	245.5	650	⑤
			VPVO-1250-6D/7,5-8/40/AL	VPVO-1250-6D/7,5-8/40/PAG	7.5	960	8	40	273.8	800	⑥
			VPVO-1250-6D/9,2-8/45/AL	VPVO-1250-6D/9,2-8/45/PAG	9.2	960	8	45	291.5	800	⑦
			VPVO-1250-6D/11-8/50/AL	VPVO-1250-6D/11-8/50/PAG	11	960	8	50	299.3	800	⑧

Accessories:



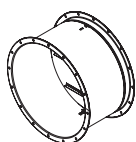
Aerodynamic characteristics



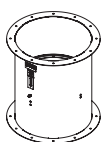
Technical data:

Size	Number of poles	Voltage [V/50 Hz]	Fan model with aluminum blades impeller (AL)	Fans model with fiberglass reinforced polyamide blades impeller (PAG)	Installed motor power Ny [kW]	RPM [min ⁻¹]	Q-ty of blades	Blade setting angle [°]	Weight [kg]	Length L [mm]	Curve number on graph
1250	4	3~400	VPVO-1250-4D/7,5-8/25/AL	VPVO-1250-4D/7,5-8/25/PAG	7.5	1440	8	25	241	650	①
			VPVO-1250-4D/11-8/30/AL	VPVO-1250-4D/11-8/30/PAG	11	1440	8	30	275.3	800	②
			VPVO-1250-4D/15-8/32,5/AL	VPVO-1250-4D/15-8/32,5/PAG	15	1440	8	32.5	294.4	800	③
			VPVO-1250-4D/15-8/35/AL	VPVO-1250-4D/15-8/35/PAG	15	1440	8	35	294.4	800	④
			VPVO-1250-4D/18,5-8/37,5/AL	VPVO-1250-4D/18,5-8/37,5/PAG	18.5	1440	8	37.5	339.9	900	⑤
			VPVO-1250-4D/22-8/40/AL	VPVO-1250-4D/22-8/40/PAG	22	1440	8	40	353.2	900	⑥
			VPVO-1250-4D/30-8/45/AL	VPVO-1250-4D/30-8/45/PAG	30	1440	8	45	416.2	900	⑦

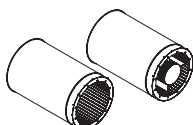
Accessories:



KOM-VO backdraft damper



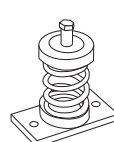
KOM1-VO backdraft damper



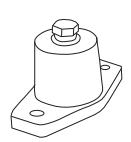
SR SRV silencer



SZ-VO protective mesh



VVCp anti-vibration mount



VVCr anti-vibration mount