

Backdraft damper  
**KKV**



■ **Application**

The KKV backdraft damper is designed for automatic shutoff of the air duct during the fan standby and reverse back flow prevention when the ventilation system is off. Designed for mounting of VKV, VKH, VKV EC, VKH EC fan series.

■ **Design**

The casing and the rotating blade is made of galvanized steel plate. The damper vane is opened

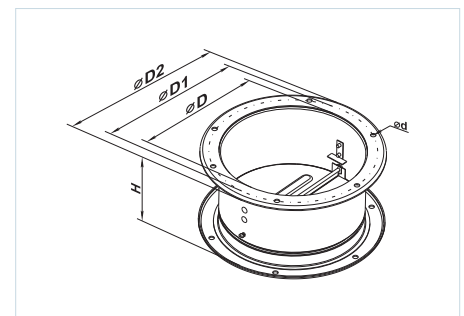
under air flow pressure and is automatically closed at no air supply. The backdraft damper has gravitation operating mechanism.

■ **Mounting**

The damper is mounted into the ventilation system by means of fixing the end flanges to the mating flanges in the system. Fixation is effected with galvanized bolts and clamps. The connectors are suitable for installation into vertical exhaust air ducts only (no spring).

Overall dimensions:

Type	Dimensions [mm]					Mass [kg]
	∅D	∅D1	∅D2	∅d	H	
KKV 220-225	183	213	235	7	115	1,0
KKV 250-315	256	285	306	7	156	1,7
KKV 355-500	402	438	464	9	220	3,5
KKV 560	569	605	642	11,5	300	7,3



Flexible connector  
**GKV**



■ **Application**

The GKV flexible connectors are designed for minimizing the vibration transmission from fans to the air duct as well as partial compensation of thermal distortion in the ductworks. Applied in ventilation systems with the transferred air temperature over the range of -40 °C to +80 °C. Designed for mounting of VKV, VKH, VKV EC, VKH EC fan series.

■ **Design**

The flexible connectors consist of two flanges made

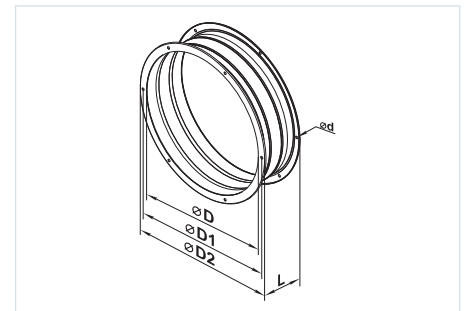
of galvanized steel plates that are connected by a vibration-isolating material made of polyethylene band reinforced with polyamide textile. The connectors are not designed for mechanical load and cannot be used as a part of load-bearing construction.

■ **Mounting**

The connectors are mounted into the ventilation system by fixing the end flanges to the mating flanges in the system. Fixation is effected with galvanized bolts and clamps.

Overall dimensions:

Type	Dimensions [mm]					Mass [kg]
	∅D	∅D1	∅D2	∅d	L	
GKV 220-225	183	213	235	7	200	0,8
GKV 250-315	256	285	308	7	200	1,2
GKV 355-500	402	438	484	9	200	1,75
GKV 560	569	605	639	9	200	2,62



### Mating flange **FKV**



**Application**

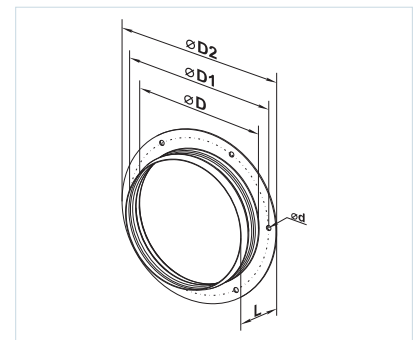
Designed for connection of the round air ducts with roof fans VKV, VKH, VKV EC, VKH EC.

**Design**

Made of galvanized steel.

**Overall dimensions:**

Type	Dimensions [mm]					Mass [kg]
	∅D	∅D1	∅D2	∅d	L	
FKV 220-225	183	213	235	7	40	0,34
FKV 250-315	256	285	306	7	40	0,52
FKV 355-500	402	438	464	9	40	1,05
FKV 560	569	605	639	9	40	1,60



### Mounting frame **RKV** (RKVI - insulated)



**Application**

The mounting frame RKV (RKVI) is designed for mounting of roof fans on a flat surface, for example, for mounting of VKV, VKH, VKV EC, VKH EC, VKMK, VKMKp, VOK, VOK1 fan series.

**Design**

The RKV casing is made of galvanized steel and

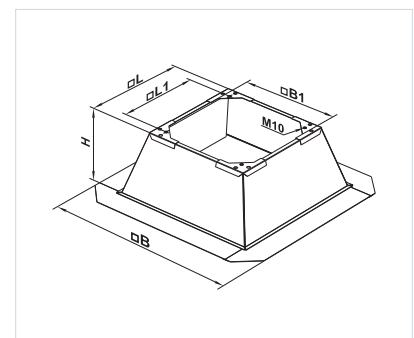
the RKVI casing is made of galvanized steel and provided with 20 mm thick thermal-insulating layer based on mineral cotton. The frame casing fully disables any water ingress and is used for final isolation directly on the roof. Specially designed flanges at the frame base ensure its easy and reliable mounting on the roof.

**Overall dimensions:**

Type	Dimensions [mm]					Mass [kg]
	B	B1	H	L	L1	
RKV 220-225	720	254	300,5	301	245	10,4
RKV 250-315	810	352	300,5	401	330	12,0
RKV 355-400	980	506	300,5	561	450	16,4
RKV 450-500	997	576	300,5	631	535	16,9
RKV 560	1180	769,9	300,5	817	750	26,7

**Overall dimensions:**

Type	Dimensions [mm]					Mass [kg]
	B	B1	H	L	L1	
RKVI 220-225	720	254	300,5	301	245	13,8
RKVI 250-315	810	352	300,5	401	330	16,9
RKVI 355-400	980	506	300,5	561	450	20,3
RKVI 450-500	997	576	300,5	631	535	21,2
RKVI 560	1180	769,9	300,5	817	750	35,7



VENTS  
 VKV / VKH  
 ACCESSORIES FOR ROOF FANS SERIES