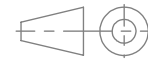
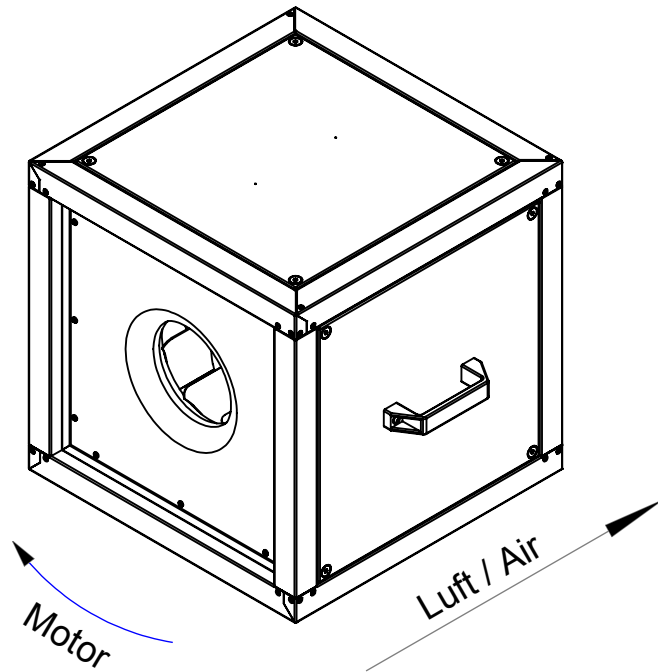


Anschlussmaß innen
min. $\varnothing 220$
Connection size inside
min. $\varnothing 220$



Protection Mark
according to ISO16016
Created s.pop
Drawn s.pop
Released d.hancu
Disabled

1:10 A4 mm

General tolerances
DIN ISO 2768-c

MPC250D2F4T30

146434 00