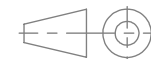
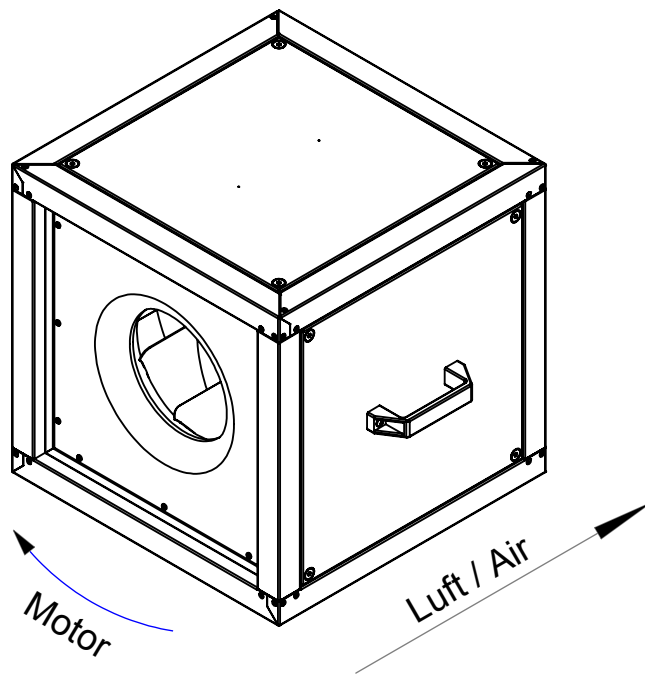


Anschlussmaß innen
 min. $\varnothing 270$
 Connection size inside
 min: $\varnothing 270$



Protection Mark
 according to ISO16016

Created s.pop
 Drawn s.pop
 Released d.hancu
 Disabled

1:10 A4 mm

General tolerances
 DIN ISO 2768-c

MPC315D2F4T30

146446 00