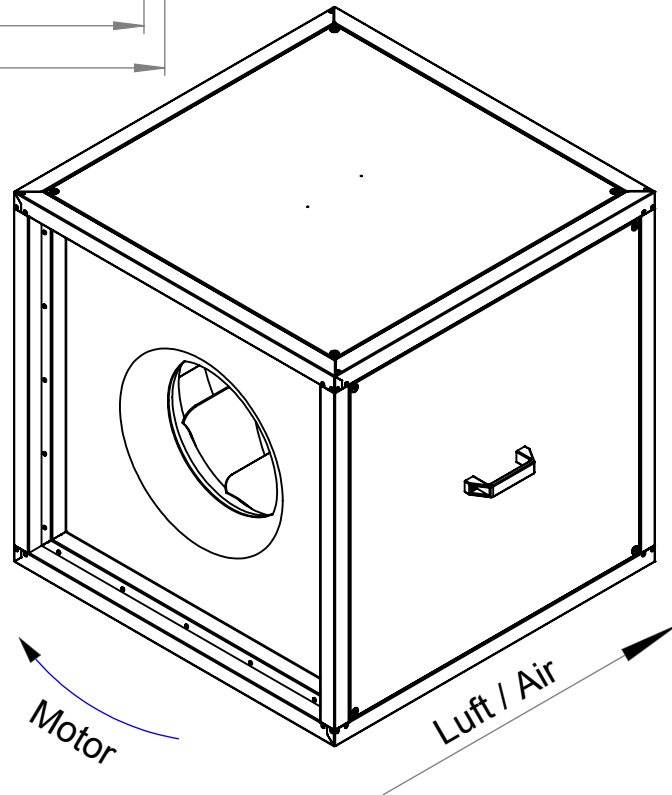


Anschlussmaß innen
min. $\varnothing 465$
Connection size inside
min. $\varnothing 465$



1:15 A4 mm

Protection Mark
according to ISO16016

General tolerances
DIN ISO 2768-c

Created s.pop 29.05.2018
Drawn s.pop 29.05.2018
Released d.hancu 25.04.2019
Disabled

MPC560D4F4T30

146478 00