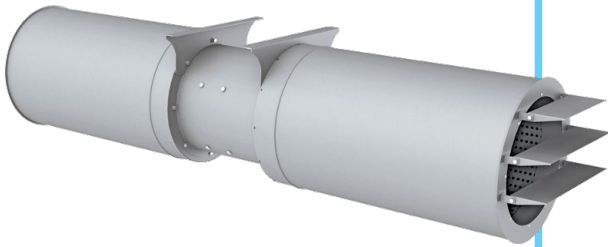


JET AXIAL FANS

AXIS-JET SERIES

Unidirectional single- and double-speed fans
Reversible single- and double-speed fans



Axial jet fans with fire resistance 300 °C/2 hrs, 400 °C/2 hrs for ventilation of covered parkings.
Functionality. Power. Efficiency.

Application

Axis-Jet axial fans are designed for general purpose ventilation of underground and semiopened parkings, ventilation of tunnels, smoke extraction in case of fire as a part of smoke extract system. The fans generate a high-speed and high-pressure directed air jet.

Modifications

- Unidirectional single-speed type (U)
- Unidirectional double-speed type (U)
- Reversible single-speed (R)
- Reversible double-speed (R)

Design

Axis-Jet casing has a tubular shape and is made of polymer coated steel. The fan has a sound insulation of mineral wool. The casing includes inner brackets for motor fixation. These brackets act as directing vanes and distribute air flow uniformly, thus increasing aerodynamic performances of the fan.

The fans with the fire resistance rating 200 °C/2 hrs can be manufactured on special request.

Motor

Three-phase asynchronous short-circuit rotor motor is installed in the fan casing. Motor ingress protection rating is IP55. The motor design ensures operation of the fan in the smoke extract systems on unidirectional and reverse modes. The motors are rated for 400 V power mains voltage and 50 Hz frequency.

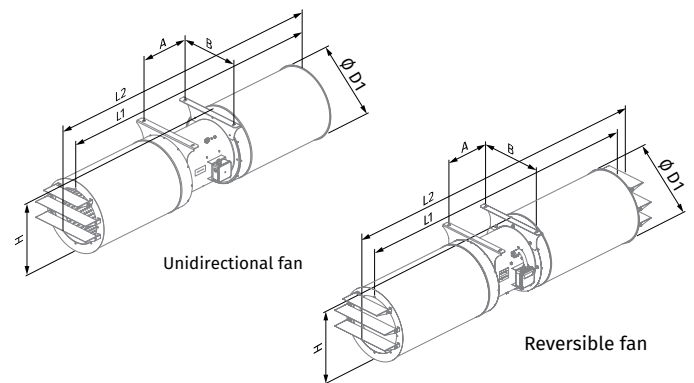
Impeller

Dynamically balanced impeller made of cast aluminium alloy. The reversible fans are equipped with 100 % reversible two-directional impeller.

Mounting

Axis-Jet fans are designed for horizontal ceiling mounting and fixation by means of the supplied fixing brackets attached to the fan casing.

Overall dimensions



Model	Dimensions [mm]						Weight [kg]
	Ø D1	A	B	H	L1	L2	
Unidirectional							
Axis-Jet-CI-315-U	414	302	355	425	1654	1763	40
Axis-Jet-CI-355-U	467	302	420	482	1954	2079	50
Axis-Jet-CI-400-U	515	351	460	525	2004	2129	65
Axis-Jet-CI-450-U	565	351	500	575	2004	2129	85
Axis-Jet-CI-500-U	603	371	580	620	2004	2145	110
Axis-Jet-CI-560-U	663	446	620	678	2093	2247	155
Axis-Jet-CI-630-U	733	550	710	748	2193	2357	245
Reversible							
Axis-Jet-CI-315-R	414	302	355	425	1654	1872	40
Axis-Jet-CI-355-R	467	302	420	482	1954	2202	50
Axis-Jet-CI-400-R	515	351	460	525	2004	2253	65
Axis-Jet-CI-450-R	565	351	500	575	2004	2253	85
Axis-Jet-CI-500-R	603	371	580	620	2004	2290	110
Axis-Jet-CI-560-R	663	446	620	678	2093	2400	155
Axis-Jet-CI-630-R	733	550	710	748	2193	2520	245

Designation key

Model	Casing type	Casing insulation	Diameter [mm]	Motor	Pole number	Air flow	Fire resistance limit/hrs
AXIS-JET: jet axial fan	- C: round	∅: without sound-insulation I: sound-insulated casing	- 315; 355; 400; 450; 500; 560; 630	∅: standard motor M, S: model with a high-power motor	- 2 (for single-speed motors) 2/4 (for double-speed motors)	- U: unidirectional R: reversible	- ∅: max. +55 °C 300/2: 300 °C/2 hrs 400/2: 400 °C/2 hrs

TECHNICAL DATA

Ø, mm	Air flow direction	Number of speeds	Model	Power [kW]	Max. air capacity [m³/h]	Fan pull [N]	Air speed [m/s]	RPM	Operating temperature [°C]					
315	Unidirectional	1	AXIS-JET-CI-315-2-U	0.55	4520	26	17.2	2880	-25...+55 °C					
			AXIS-JET-CI-315-2-U-300/2						300 °C/2 h					
			AXIS-JET-CI-315-2-U-400/2						400 °C/2 h					
			AXIS-JET-CI-315M-2-U						0.75	4990	32	19	2880	-25...+55 °C
			AXIS-JET-CI-315M-2-U-300/2											300 °C/2 h
			AXIS-JET-CI-315M-2-U-400/2											400 °C/2 h
		2	AXIS-JET-CI-315-2/4-U	0.55 / 0.11	4520 / 2260	26 / 13	17.2 / 8.6	2880 / 1440	-25...+55 °C					
			AXIS-JET-CI-315-2/4-U-300/2						300 °C/2 h					
			AXIS-JET-CI-315-2/4-U-400/2						400 °C/2 h					
			AXIS-JET-CI-315M-2/4-U						0.8 / 0.2	4990 / 2490	32 / 16	19 / 9.5	2880 / 1440	-25...+55 °C
			AXIS-JET-CI-315M-2/4-U-300/2											300 °C/2 h
			AXIS-JET-CI-315M-2/4-U-400/2											400 °C/2 h
	Reversible	1	AXIS-JET-CI-315-2-R	0.55	4190	22	15.9	2880	-25...+55 °C					
			AXIS-JET-CI-315-2-R-300/2						300 °C/2 h					
			AXIS-JET-CI-315-2-R-400/2						400 °C/2 h					
		2	AXIS-JET-CI-315-2/4-R	0.55 / 0.11	4180 / 2100	22 / 11	15.9 / 7.9	2880 / 1440	-25...+55 °C					
			AXIS-JET-CI-315-2/4-R-300/2						300 °C/2 h					
			AXIS-JET-CI-315-2/4-R-400/2						400 °C/2 h					
355	Unidirectional	1	AXIS-JET-CI-355-2-U	0.75	5830	34	17.3	2880	-25...+55 °C					
			AXIS-JET-CI-355-2-U-300/2						300 °C/2 h					
			AXIS-JET-CI-355-2-U-400/2						400 °C/2 h					
			AXIS-JET-CI-355M-2-U						1.1	6740	45	20.0	2880	-25...+55 °C
			AXIS-JET-CI-355M-2-U-300/2											300 °C/2 h
			AXIS-JET-CI-355M-2-U-400/2											400 °C/2 h
		2	AXIS-JET-CI-355-2/4-U	0.8 / 0.2	5830 / 3000	34 / 17	17.3 / 8.9	2880 / 1440	-25...+55 °C					
			AXIS-JET-CI-355-2/4-U-300/2						300 °C/2 h					
			AXIS-JET-CI-355-2/4-U-400/2						400 °C/2 h					
			AXIS-JET-CI-355M-2/4-U						1.1 / 0.25	6740 / 3370	45 / 23	20.0 / 10.0	2880 / 1440	-25...+55 °C
			AXIS-JET-CI-355M-2/4-U-300/2											300 °C/2 h
			AXIS-JET-CI-355M-2/4-U-400/2											400 °C/2 h
	Reversible	1	AXIS-JET-CI-355-2-R	1.1	5810	34	17.3	2880	-25...+55 °C					
			AXIS-JET-CI-355-2-R-300/2						300 °C/2 h					
			AXIS-JET-CI-355-2-R-400/2						400 °C/2 h					
		2	AXIS-JET-CI-355-2/4-R	1.1 / 0.25	5810 / 2900	34 / 17	17.3 / 8.6	2810 / 1390	-25...+55 °C					
			AXIS-JET-CI-355-2/4-R-300/2						300 °C/2 h					
			AXIS-JET-CI-355-2/4-R-400/2						400 °C/2 h					

* Smoke extraction mode: once for two hours

Ø, mm	Air flow direction	Number of speeds	Model	Power [kW]	Max. air capacity [m³/h]	Fan pull [N]	Air speed [m/s]	RPM	Operating temperature [°C]	
400	Unidirectional	1	AXIS-JET-CI-400-2-U	1.1	8500	57	20.0	2880	-25...+55 °C	
			AXIS-JET-CI-400-2-U-300/2		8500	57	20.0		300 °C/2 h	
			AXIS-JET-CI-400-2-U-400/2		6970	38	16.4		400 °C/2 h	
			AXIS-JET-CI-400M-2-U		2.2	9870	77		23.2	-25...+55 °C
			AXIS-JET-CI-400M-2-U-300/2			9870	77		23.2	300 °C/2 h
			AXIS-JET-CI-400M-2-U-400/2			8500	57		20	400 °C/2 h
		2	AXIS-JET-CI-400-2/4-U	1.1 / 0.25	8500 / 4250	57 / 28	20.0 / 10.0	-25...+55 °C		
			AXIS-JET-CI-400-2/4-U-300/2		8500 / 4250	57 / 28	20.0 / 10.0	300 °C/2 h		
			AXIS-JET-CI-400-2/4-U-400/2		6970 / 3490	38 / 19	16.4 / 8.2	400 °C/2 h		
			AXIS-JET-CI-400M-2/4-U		2.2 / 0.5	9870 / 4930	77 / 38	23.2 / 11.6	-25...+55 °C	
			AXIS-JET-CI-400M-2/4-U-300/2			9870 / 4930	77 / 38	23.2 / 11.6	300 °C/2 h	
			AXIS-JET-CI-400M-2/4-U-400/2			8500 / 4250	57 / 28	20 / 10	400 °C/2 h	
	Reversible	1	AXIS-JET-CI-400-2-R	1.5	8290	54	19.5	2880	-25...+55 °C	
			AXIS-JET-CI-400-2-R-300/2		8290	54	19.5		300 °C/2 h	
			AXIS-JET-CI-400-2-R-400/2		7140	40	16.8		400 °C/2 h	
		2	AXIS-JET-CI-400-2/4-R	1.5 / 0.37	8290 / 4140	54 / 27	19.5 / 9.7	-25...+55 °C		
AXIS-JET-CI-400-2/4-R-300/2			8290 / 4140		54 / 27	19.5 / 9.7	300 °C/2 h			
AXIS-JET-CI-400-2/4-R-400/2			7140 / 3570		40 / 20	16.8 / 8.4	400 °C/2 h			

* Smoke extraction mode: once for two hours

TECHNICAL DATA

Ø, mm	Air flow direction	Number of speeds	Model	Power [kW]	Max. air capacity [m³/h]	Fan pull [N]	Air speed [m/s]	RPM	Operating temperature [°C]	
450	Unidirectional	1	AXIS-JET-CI-450-2-U	1.5	10400	67	19.3	2880	-25...+55 °C	
			AXIS-JET-CI-450-2-U-300/2		10400	67	19.3		300 °C/2 h	
			AXIS-JET-CI-450-2-U-450/2		9520	56	17.6		400 °C/2 h	
			AXIS-JET-CI-450M-2-U		2.2	12800	98		23.3	-25...+55 °C
			AXIS-JET-CI-450M-2-U-300/2			12800	98		23.3	300 °C/2 h
			AXIS-JET-CI-450M-2-U-400/2			11600	83		21.5	400 °C/2 h
			AXIS-JET-CI-450S-2-U		3	14100	123		26.2	-25...+55 °C
		AXIS-JET-CI-450S-2-U-300/2	14100	123		26.2	300 °C/2 h			
		AXIS-JET-CI-450S-2-U-400/2	12300	93		22.7	400 °C/2 h			
		2	AXIS-JET-CI-450-2/4-U	1.5 / 0.37	10400 / 5220	67 / 34	19.3 / 9.7	-25...+55 °C		
			AXIS-JET-CI-450-2/4-U-300/2		10400 / 5220	67 / 34	19.3 / 9.7	300 °C/2 h		
			AXIS-JET-CI-450-2/4-U-400/2		9520 / 4760	56 / 28	17.6 / 8.8	400 °C/2 h		
			AXIS-JET-CI-450M-2/4-U		2.2 / 0.5	12800 / 6290	98 / 49	23.3 / 11.7	-25...+55 °C	
			AXIS-JET-CI-450M-2/4-U-300/2			12800 / 6290	98 / 49	23.3 / 11.7	300 °C/2 h	
	AXIS-JET-CI-450M-2/4-U-400/2		11600 / 6070			83 / 42	21.5 / 11.3	400 °C/2 h		
	AXIS-JET-CI-450S-2/4-U		3.1 / 0.8		14100 / 7070	124 / 62	26.2 / 13.1	-25...+55 °C		
	AXIS-JET-CI-450S-2/4-U-300/2	14100 / 7070		124 / 62	26.2 / 13.1	300 °C/2 h				
	AXIS-JET-CI-450S-2/4-U-400/2	12400 / 6200		93 / 47	22.9 / 11.5	400 °C/2 h				
	Reversible	1	AXIS-JET-CI-450-2-R	1.5	9280	53	17.2	-25...+55 °C		
			AXIS-JET-CI-450-2-R-300/2		9280	53	17.2	300 °C/2 h		
			AXIS-JET-CI-450-2-R-450/2		8560	45	15.8	400 °C/2 h		
			AXIS-JET-CI-450M-2-R		2.2	10400	67	19.2	-25...+55 °C	
			AXIS-JET-CI-450M-2-R-300/2			10400	67	19.2	300 °C/2 h	
			AXIS-JET-CI-450M-2-R-400/2			10300	66	19.1	400 °C/2 h	
			AXIS-JET-CI-450S-2-R		3	12800	102	23.7	-25...+55 °C	
		AXIS-JET-CI-450S-2-R-300/2	12800	102		23.7	300 °C/2 h			
		AXIS-JET-CI-450S-2-R-400/2	11200	78		20.8	400 °C/2 h			
		2	AXIS-JET-CI-450-2/4-R	1.5 / 0.37	9280 / 4640	53 / 27	17.2 / 8.6	-25...+55 °C		
AXIS-JET-CI-450-2/4-R-300/2			9280 / 4640		53 / 27	17.2 / 8.6	300 °C/2 h			
AXIS-JET-CI-450-2/4-R-400/2			8560 / 4280		45 / 23	15.8 / 7.9	400 °C/2 h			
AXIS-JET-CI-450M-2/4-R			2.2 / 0.5		10400 / 5190	67 / 33	19.2 / 9.6	-25...+55 °C		
AXIS-JET-CI-450M-2/4-R-300/2					10400 / 5190	67 / 33	19.2 / 9.6	300 °C/2 h		
AXIS-JET-CI-450M-2/4-R-400/2	10300 / 5160				66 / 33	19.1 / 9.6	400 °C/2 h			
AXIS-JET-CI-450S-2/4-R	3.1 / 0.8		12800 / 6400		102 / 51	23.7 / 11.9	-25...+55 °C			
AXIS-JET-CI-450S-2/4-R-300/2		12800 / 6400	102 / 51	23.7 / 11.9	300 °C/2 h					
AXIS-JET-CI-450S-2/4-R-400/2		11200 / 5610	78 / 39	20.8 / 10.4	400 °C/2 h					
500	Unidirectional	2	AXIS-JET-CI-500-2/4-U	3.1 / 0.8	16200 / 8120	132 / 66	24.3 / 12.2	-25...+55 °C		
			AXIS-JET-CI-500-2/4-U-300/2		16200 / 8120	132 / 66	24.3 / 12.2	300 °C/2 h		
			AXIS-JET-CI-500-2/4-U-400/2		14900 / 7430	111 / 55	22.2 / 11.1	400 °C/2 h		
			AXIS-JET-CI-500M-2/4-U		4.4 / 1.1	18500 / 9240	171 / 86	27.7 / 13.8	-25...+55 °C	
			AXIS-JET-CI-500M-2/4-U-300/2			18500 / 9240	171 / 86	27.7 / 13.8	300 °C/2 h	
	AXIS-JET-CI-500M-2/4-U-400/2	3.1 / 0.8	17200 / 8600	149 / 74	25.8 / 12.9	400 °C/2 h				
	AXIS-JET-CI-500-2/4-R		14500 / 7250	105 / 52	21.7 / 10.8	-25...+55 °C				
	AXIS-JET-CI-500-2/4-R-300/2		14500 / 7250	105 / 52	21.7 / 10.8	300 °C/2 h				
	AXIS-JET-CI-500-2/4-R-400/2		13600 / 6790	93 / 46	20.3 / 10.2	400 °C/2 h				
	AXIS-JET-CI-500M-2/4-R		4.4 / 1.1	16600 / 8310	139 / 69	24.8 / 12.4	-25...+55 °C			
AXIS-JET-CI-500M-2/4-R-300/2	16600 / 8310	139 / 69		24.8 / 12.4	300 °C/2 h					
AXIS-JET-CI-500M-2/4-R-400/2	15900 / 7940	127 / 63		23.8 / 11.9	400 °C/2 h					

* Smoke extraction mode: once for two hours

Ø, mm	Air flow direction	Number of speeds	Model	Power [kW]	Max. air capacity [m³/h]	Fan pull [N]	Air speed [m/s]	RPM	Operating temperature [°C]				
560	Unidirectional	2	AXIS-JET-CI-560-2/4-U	4.4 / 1.1	20200 / 10100	167 / 84	24.7 / 12.4	2880 / 1440	-25...+55 °C				
			AXIS-JET-CI-560-2/4-U-300/2						300 °C/2 h				
			AXIS-JET-CI-560-2/4-U-400/2						400 °C/2 h				
			AXIS-JET-CI-560M-2/4-U						8 / 2	25100 / 12500	258 / 129	30.7 / 15.3	-25...+55 °C
			AXIS-JET-CI-560M-2/4-U-300/2							25100 / 12500	258 / 129	30.7 / 15.3	300 °C/2 h
	AXIS-JET-CI-560M-2/4-U-400/2	24300 / 12200	242 / 121	29.8 / 14.9	400 °C/2 h								
	Reversible	2	AXIS-JET-CI-560-2/4-R	4.4 / 1.1	16800 / 8410	116 / 58	20.5 / 10.3	2880 / 1440	-25...+55 °C				
			AXIS-JET-CI-560-2/4-R-300/2						300 °C/2 h				
			AXIS-JET-CI-560-2/4-R-400/2						400 °C/2 h				
			AXIS-JET-CI-560M-2/4-R						6 / 1.5	21100 / 10500	182 / 91	25.8 / 12.9	-25...+55 °C
AXIS-JET-CI-560M-2/4-R-300/2			21100 / 10500							182 / 91	25.8 / 12.9	300 °C/2 h	
AXIS-JET-CI-560M-2/4-R-400/2	18800 / 9380	145 / 72	23 / 11.5	400 °C/2 h									
630	Unidirectional	2	AXIS-JET-CI-630-2/4-U	12 / 3	31500 / 15700	320 / 160	30.4 / 15.2	2880 / 1440	-25...+55 °C				
			AXIS-JET-CI-630-2/4-U-300/2						300 °C/2 h				
			AXIS-JET-CI-630-2/4-U-400/2						400 °C/2 h				
			AXIS-JET-CI-630M-2/4-U						16 / 4	35200 / 176500	400 / 200	34 / 17	-25...+55 °C
			AXIS-JET-CI-630M-2/4-U-300/2							35200 / 176500	400 / 200	34 / 17	300 °C/2 h
	AXIS-JET-CI-630M-2/4-U-400/2	33100 / 16550	354 / 177	31.9 / 16	400 °C/2 h								
	Reversible	2	AXIS-JET-CI-630-2/4-R	12 / 3	26700 / 13400	232 / 116	25.8 / 12.9	2880 / 1440	-25...+55 °C				
			AXIS-JET-CI-630-2/4-R-300/2						300 °C/2 h				
			AXIS-JET-CI-630-2/4-R-400/2						400 °C/2 h				
			AXIS-JET-CI-630M-2/4-R						16 / 4	29100 / 14600	274 / 137	28.2 / 14.1	-25...+55 °C
AXIS-JET-CI-630M-2/4-R-300/2			29100 / 14600							274 / 137	28.2 / 14.1	300 °C/2 h	
AXIS-JET-CI-630M-2/4-R-400/2	32100 / 16000	334 / 167	31 / 15.5	400 °C/2 h									

* Smoke extraction mode: once for two hours