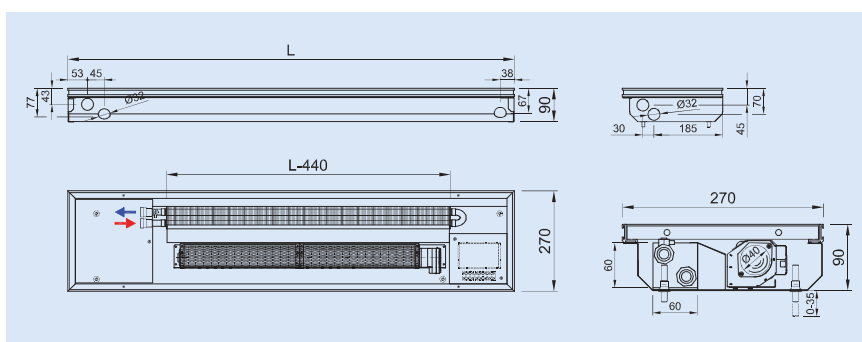




PARAMETERS

Convector	Width	270 mm
	Height	90 mm
	Length	800–4800 mm in step 400 mm
	Height adjusting	0–35 mm
	Stainless trough width	250
	Grill type	cross / linear
Exchanger	Grill material	anodized aluminium, wood, stainless steel
	Width	60 mm
	Height	60 mm
	Finned length	L-440 mm
	Heat medium connection	2 × G1/2" female thread
	Max. working temperature	110 °C
Fan	Max. working overpressure	1 MPa
	Rotor diameter	∅ 40 mm
	Operating voltage	Safe voltage 24V DC
	Ingress protection	IP20
Operating conditions	Regulation	control voltage 0–10V (regulation SR201, ...)
	Ambient temperature	+2 to +40 °C
	Relative humidity	20–70%



	SPEED	LENGTH [mm]										
		800	1200	1600	2000	2400	2800	3200	3600	4000	4400	4800
ACOUSTIC PRESSURE L _p Max [dB(A)]	1	22	24	24	25	25	25	25	25	25	26	26
	2	24	25	27	28	29	30	31	31	31	31	31
	3	30	30	33	34	37	38	39	39	39	39	40
AIR VOLUME [m³/h]	1	28	57	85	114	142	171	199	228	256	285	313
	2	37	68	96	136	192	204	260	288	328	384	396
	3	52	108	146	216	291	323	399	437	507	583	615

Code example	FCT20-09200-NR126	Floor convector FCT20-09, H=90 mm, W=270 mm, L=2000 mm, stainless steel trough, Al natur frame, Al natur linear grill, installed regulation SR201, convector 24V DC
--------------	--------------------------	---

Ordering, see the page 41

SPECIFICATIONS

- Flats, detached houses, offices, halls
- High heating output
- Forced convection by tangential fans
- Smooth running
- Dry ambience
- Safe voltage 24V DC
- Low power consumption
- Easy control

HEATING OUTPUT

Q [W] 90/70/20 °C

SPEED	0	1	2	3
rpm	0	576	762	1057
LENGTH [mm]	HEATING OUTPUT [W]			
800	68	432	479	598
1200	144	863	959	1196
1600	221	1295	1438	1795
2000	298	1726	1918	2393
2400	374	2590	2877	3589
2800	450	2658	2945	3657
3200	527	3453	3835	4786
3600	603	3885	4315	5384
4000	679	4316	4794	5982
4400	756	5179	5753	7179
4800	832	5249	5823	7248

Qn [W] 75/65/20 °C

SPEED	0	1	2	3
rpm	0	576	762	1057
LENGTH [mm]	HEATING OUTPUT [W]			
800	52	354	394	491
1200	110	709	787	982
1600	170	1063	1181	1473
2000	229	1417	1574	1964
2400	287	2126	2361	2946
2800	346	2181	2417	3002
3200	405	2834	3148	3928
3600	463	3188	3542	4419
4000	522	3543	3935	4910
4400	581	4251	4722	5892
4800	639	4308	4779	5949

Q [W] 70/55/20 °C

SPEED	0	1	2	3
rpm	0	576	762	1057
LENGTH [mm]	HEATING OUTPUT [W]			
800	41	297	330	412
1200	87	594	660	823
1600	135	891	990	1235
2000	181	1188	1320	1647
2400	227	1782	1980	2470
2800	274	1829	2027	2517
3200	320	2376	2640	3294
3600	367	2674	2970	3706
4000	413	2971	3300	4117
4400	459	3565	3960	4941
4800	506	3613	4008	4989

Q [W] 55/45/20 °C

SPEED	0	1	2	3
rpm	0	576	762	1057
LENGTH [mm]	HEATING OUTPUT [W]			
800	25	204	226	282
1200	53	407	453	565
1600	81	611	679	847
2000	109	815	905	1129
2400	137	1222	1358	1694
2800	166	1254	1390	1726
3200	194	1629	1810	2259
3600	222	1833	2036	2541
4000	250	2037	2263	2823
4400	278	2444	2715	3388
4800	306	2477	2748	3421