



SPECIFICATIONS

- Flats, detached houses, offices, halls
- High heating output
- Forced convection by tangential fans
- Smooth running
- Dry ambience
- Safe voltage 24V DC
- Low power consumption
- Easy control

HEATING OUTPUT

Q [W] 90/70/20 °C

SPEED	0	1	2	3
rpm	0	576	762	1057
LENGTH [mm]	HEATING OUTPUT [W]			
800	127	544	695	918
1200	268	1087	1390	1837
1600	410	1631	2084	2755
2000	551	2174	2779	3674
2400	692	3261	4169	5511
2800	833	3386	4293	5635
3200	974	4348	5558	7348
3600	1116	4892	6253	8266
4000	1257	5436	6948	9185
4400	1398	6523	8337	11021
4800	1539	6650	8464	11149

Qn [W] 75/65/20 °C

SPEED	0	1	2	3
rpm	0	576	762	1057
LENGTH [mm]	HEATING OUTPUT [W]			
800	98	452	578	764
1200	206	904	1156	1528
1600	315	1356	1733	2291
2000	423	1808	2311	3055
2400	532	2712	3467	4583
2800	640	2815	3570	4686
3200	749	3616	4622	6110
3600	858	4068	5200	6874
4000	966	4520	5778	7638
4400	1075	5424	6933	9165
4800	1183	5530	7039	9271

Q [W] 70/55/20 °C

SPEED	0	1	2	3
rpm	0	576	762	1057
LENGTH [mm]	HEATING OUTPUT [W]			
800	77	383	490	648
1200	163	767	980	1296
1600	249	1150	1470	1944
2000	335	1534	1961	2592
2400	421	2301	2941	3888
2800	506	2388	3029	3975
3200	592	3068	3921	5184
3600	678	3451	4411	5832
4000	764	3835	4902	6480
4400	850	4602	5882	7775
4800	936	4691	5971	7865

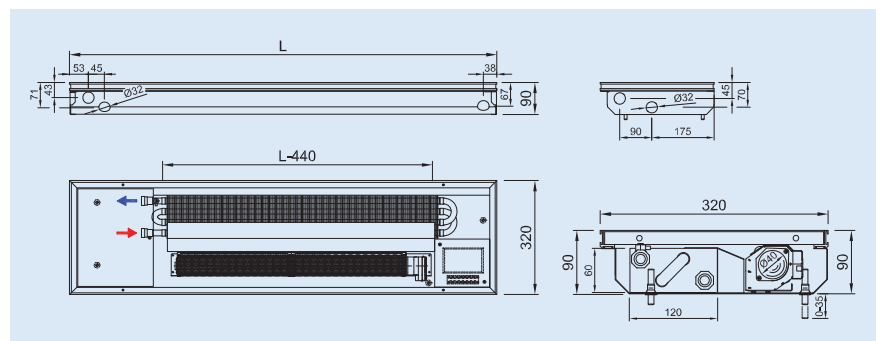
Q [W] 55/45/20 °C

SPEED	0	1	2	3
rpm	0	576	762	1057
LENGTH [mm]	HEATING OUTPUT [W]			
800	47	270	345	456
1200	99	539	689	911
1600	151	809	1034	1367
2000	202	1078	1378	1822
2400	254	1618	2068	2733
2800	306	1679	2129	2795
3200	358	2157	2757	3644
3600	410	2426	3101	4100
4000	462	2696	3446	4555
4400	514	3235	4135	5466
4800	566	3298	4198	5529



PARAMETERS

Convector	Width	320 mm
	Height	90 mm
	Length	800–4800 mm in step 400 mm
	Height adjusting	0–35 mm
	Stainless trough width	300 mm
	Grill type	cross / linear
Exchanger	Grill material	anodized aluminium, wood, stainless steel
	Width	120 mm
	Height	60 mm
	Finned length	L-440 mm
	Heat medium connection	2 × G1/2" female thread
	Max. working temperature	110 °C
Fan	Max. working overpressure	1 MPa
	Rotor diameter	∅ 40 mm
	Operating voltage	Safe voltage 24V DC
	Ingress protection	IP20
Operating conditions	Regulation	control voltage 0–10V (regulation SR201, ...)
	Ambient temperature	+2 to +40 °C
	Relative humidity	20–70%



	SPEED	LENGTH [mm]										
		800	1200	1600	2000	2400	2800	3200	3600	4000	4400	4800
ACOUSTIC PRESSURE LpAmax [dB(A)]	1	22	24	24	25	25	25	25	25	25	26	26
	2	25	25	27	28	29	30	31	31	31	31	31
	3	30	30	33	34	37	38	39	39	39	39	40
AIR VOLUME [m³/h]	1	26	53	79	106	132	158	185	211	237	264	290
	2	35	63	89	126	178	189	241	267	304	356	367
	3	48	100	135	200	270	300	370	405	470	540	570

Code example	FCT40-09120-NR116	Floor convector FCT20-09, H=90 mm, W=320 mm, L=1200 mm, stainless steel trough, Al natur frame, Al natur cross roll-up grill, installed regulation SR201, convector 24V DC
--------------	--------------------------	--

Ordering, see the page 41