



SPECIFICATIONS

- Flats, detached houses, offices, halls
- High heating output
- Forced convection by tangential fans
- Smooth running
- Dry ambience
- Safe voltage 24V DC
- Low power consumption
- Easy control

HEATING OUTPUT

Q [W] 90/70/20°C

SPEED	0	1	2	3
rpm	0	465	582	756
LENGTH [mm]	HEATING OUTPUT [W]			
800	156	705	892	1142
1200	329	1410	1783	2284
1600	503	2115	2675	3426
2000	676	2820	3567	4568
2400	850	3524	4458	5710
2800	1023	4229	5350	6852
3200	1196	4934	6242	7994
3600	1370	5639	7133	9137
4000	1543	6344	8025	10279
4400	1717	7049	8917	11421
4800	1890	7754	9808	12563

Qn [W] 75/65/20°C

SPEED	0	1	2	3
rpm	0	465	582	756
LENGTH [mm]	HEATING OUTPUT [W]			
800	120	584	738	946
1200	253	1167	1477	1891
1600	386	1751	2215	2837
2000	520	2335	2953	3783
2400	653	2918	3692	4728
2800	786	3502	4430	5674
3200	920	4086	5168	6620
3600	1053	4669	5907	7565
4000	1186	5253	6645	8511
4400	1319	5837	7383	9457
4800	1453	6420	8122	10402

Q [W] 70/55/20°C

SPEED	0	1	2	3
rpm	0	465	582	756
LENGTH [mm]	HEATING OUTPUT [W]			
800	95	493	624	799
1200	200	987	1248	1599
1600	306	1480	1872	2398
2000	411	1973	2496	3197
2400	516	2467	3120	3996
2800	622	2960	3744	4796
3200	727	3453	4368	5595
3600	833	3946	4992	6394
4000	938	4440	5616	7193
4400	1043	4933	6240	7993
4800	1149	5426	6864	8792

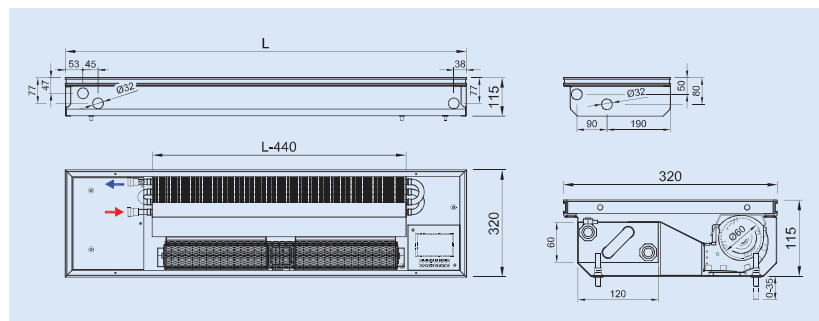
Q [W] 55/45/20°C

SPEED	0	1	2	3
rpm	0	465	582	756
LENGTH [mm]	HEATING OUTPUT [W]			
800	57	344	435	557
1200	121	688	870	1115
1600	185	1032	1305	1672
2000	249	1376	1741	2229
2400	312	1720	2176	2787
2800	376	2064	2611	3344
3200	440	2408	3046	3901
3600	504	2752	3481	4459
4000	567	3096	3916	5016
4400	631	3440	4352	5573
4800	695	3784	4787	6131



PARAMETERS

Convector	Width	320 mm
	Height	115 mm
	Length	800-4800 mm in step 400 mm
	Height adjusting	0-35 mm
	Stainless trough width	300 mm
	Grill type	cross / linear
Exchanger	Grill material	anodized aluminium, wood, stainless steel
	Width	120 mm
	Height	60 mm
	Finned length	L-440 mm
	Heat medium connection	2 × G 1/2" female thread
	Max. working temperature	110 °C
Fan	Max. working overpressure	1 MPa
	Rotor diameter	∅ 60 mm
	Operating voltage	Safe voltage 24V DC
	Ingress protection	IP20
Operating conditions	Regulation	control voltage 0-10V (regulation SR201, ...)
	Ambient temperature	+2 to +40 °C
	Relative humidity	20-70%



	SPEED	LENGTH [mm]										
		800	1200	1600	2000	2400	2800	3200	3600	4000	4400	4800
ACOUSTIC PRESSURE LpAmax [dB(A)]	1	19	21	23	23	23	23	24	24	24	24	25
	2	26	26	27	28	30	31	32	32	32	33	33
	3	36	36	36	38	39	39	40	40	40	40	41
AIR VOLUME [m³/h]	1	26	53	79	106	132	158	185	211	237	264	290
	2	35	75	110	150	185	224	260	299	335	375	410
	3	48	110	158	219	267	329	377	439	487	549	597

Code example	FCT40-11320-NR126	Floor convector FCT40-11, H=115 mm, W=320 mm, L=3200 mm, stainless steel trough, Al natur frame, Al natur linear grill, installed regulation SR201, convector 24V DC
--------------	--------------------------	----------------------------------------------------------------------------------------------------------------------------------------------------------------------

Ordering, see the page 41