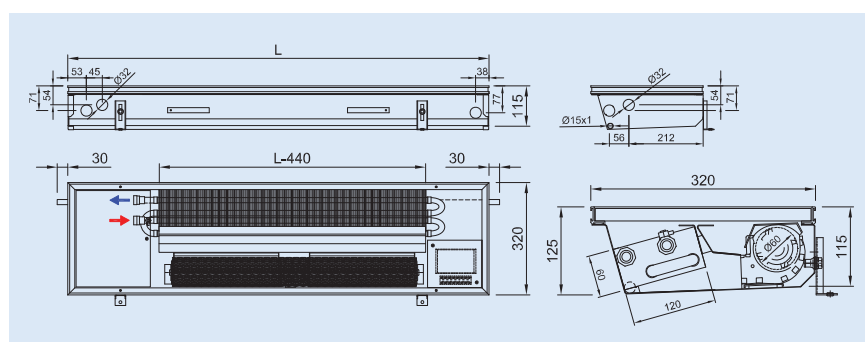




PARAMETERS

Convector	Width	320 mm
	Height	125 mm
	Length	1200-3200 mm in step 400 mm
	Height adjusting	0-35 mm
	Stainless trough width	300 mm
	Grill type	cross / linear
Exchanger	Grill material	anodized aluminium, wood, stainless steel
	Width	120 mm
	Height	60 mm
	Finned length	L-440 mm
	Heat medium connection	2 x G1/2" female thread
	Max. working temperature	110 °C
Fan	Max. working overpressure	1 MPa
	Rotor diameter	∅ 60 mm
	Operating voltage	Safe voltage 24V DC
	Ingress protection	IP20
Operating conditions	Regulation	control voltage 0-10V (regulation SR201, ...)
	Ambient temperature	+2 to +40 °C
	Relative humidity	20-70%



	SPEED	LENGTH [mm]						
		800	1200	1600	2000	2400	2800	3200
ACOUSTIC PRESSURE L _{p,Amx} [dB(A)]	1	21	23	23	23	23	24	24
	2	26	27	28	30	31	32	32
	3	35	35	37	39	39	40	40
AIR VOLUME [m³/h]	1	54	83	110	136	167	192	185
	2	77	116	156	191	236	271	260
	3	113	166	229	276	347	393	377

Code example	FCT41-12120-NR116	Floor convector FCT41-12, H=125 mm, W=320 mm, L=1200 mm, stainless steel trough, Al natur frame, Al natur cross roll-up grill, installed regulation SR201, convector 24V DC
--------------	--------------------------	---

Ordering, see the page 41

SPECIFICATIONS

- Flats, detached houses, offices, halls
- High heating output
- Forced convection by tangential fans
- Smooth running
- Dry ambience
- Safe voltage 24V DC
- Low power consumption
- Easy control

HEATING OUTPUT

Q [W] 90/70/20 °C

SPEED	0	1	2	3
rpm	0	475	583	755
LENGTH [mm]	HEATING OUTPUT [W]			
1200	322	1155	1490	1919
1600	491	1732	2235	2879
2000	660	2310	2980	3838
2400	830	2887	3725	4798
2800	999	3465	4470	5758
3200	1168	4042	5215	6717

Q_n [W] 75/65/20 °C

SPEED	0	1	2	3
rpm	0	475	583	755
LENGTH [mm]	HEATING OUTPUT [W]			
1200	247	960	1238	1595
1600	377	1439	1857	2392
2000	508	1919	2476	3189
2400	638	2399	3095	3986
2800	768	2879	3714	4784
3200	898	3358	4333	5581

Q [W] 70/55/20 °C

SPEED	0	1	2	3
rpm	0	475	583	755
LENGTH [mm]	HEATING OUTPUT [W]			
1200	196	813	1049	1352
1600	298	1220	1574	2027
2000	401	1627	2099	2703
2400	504	2033	2624	3379
2800	607	2440	3148	4055
3200	710	2847	3673	4731

Q [W] 55/45/20 °C

SPEED	0	1	2	3
rpm	0	475	583	755
LENGTH [mm]	HEATING OUTPUT [W]			
1200	118	571	736	949
1600	181	856	1105	1423
2000	243	1142	1473	1897
2400	305	1427	1841	2371
2800	367	1712	2209	2846
3200	430	1998	2578	3320



Q [W] 6/12 °C, relative humidity 50 %

SPEED		1		2		3	
rpm/min		475		583		755	
LENGTH [mm]	Ti [°C]	COOLING OUTPUT [W]					
		Qk[W]	Qs[W]	Qk[W]	Qs[W]	Qk[W]	Qs[W]
1200	24	238	204	291	249	395	339
	26	269	230	329	282	447	383
	28	299	256	366	314	497	426
	30	330	283	403	346	548	470
1600	24	357	306	436	374	593	508
	26	403	345	493	422	670	574
	28	449	385	549	470	746	639
	30	495	424	605	518	822	705
2000	24	476	408	582	499	791	678
	26	537	461	657	563	893	765
	28	599	513	732	627	995	853
	30	660	565	806	691	1096	940
2400	24	595	510	727	623	989	847
	26	672	576	821	704	1116	957
	28	748	641	915	784	1243	1066
	30	825	707	1008	864	1370	1174
2800	24	714	612	873	748	1186	1017
	26	806	691	986	845	1340	1148
	28	898	769	1098	941	1492	1279
	30	989	848	1210	1037	1644	1409
3200	24	833	714	1018	873	1384	1186
	26	940	806	1150	985	1563	1339
	28	1048	898	1281	1097	1741	1492
	30	1154	989	1411	1209	1918	1644

Q [W] 8/14 °C, relative humidity 50 %

SPEED		1		2		3	
rpm/min		475		583		755	
LENGTH [mm]	Ti [°C]	COOLING OUTPUT [W]					
		Qk[W]	Qs[W]	Qk[W]	Qs[W]	Qk[W]	Qs[W]
1200	24	207	177	253	217	344	295
	26	238	204	291	249	395	339
	28	269	230	329	282	447	383
	30	299	256	366	314	497	426
1600	24	311	266	380	326	516	443
	26	357	306	436	374	593	508
	28	403	345	493	422	670	574
	30	449	385	549	470	746	639
2000	24	414	355	506	434	688	590
	26	476	408	582	499	791	678
	28	537	461	657	563	893	765
	30	599	513	732	627	995	853
2400	24	518	444	633	543	861	738
	26	595	510	727	623	989	847
	28	672	576	821	704	1116	957
	30	748	641	915	784	1243	1066
2800	24	621	532	760	651	1033	885
	26	714	612	873	748	1186	1017
	28	806	691	986	845	1340	1148
	30	898	769	1098	941	1492	1279
3200	24	725	621	886	760	1205	1033
	26	833	714	1018	873	1384	1186
	28	940	806	1150	985	1563	1339
	30	1048	898	1281	1097	1741	1492

Q [W] 10/15 °C, relative humidity 50 %

SPEED		1		2		3	
rpm/min		475		583		755	
LENGTH [mm]	Ti [°C]	COOLING OUTPUT [W]					
		Qk[W]	Qs[W]	Qk[W]	Qs[W]	Qk[W]	Qs[W]
1200	24	184	158	225	193	306	262
	26	215	184	263	225	357	306
	28	246	211	300	257	408	350
	30	276	237	338	290	459	394
1600	24	276	236	337	289	458	393
	26	322	276	394	338	536	459
	28	369	316	451	386	612	525
	30	415	355	507	434	689	590
2000	24	368	315	450	385	611	524
	26	430	368	525	450	714	612
	28	491	421	601	515	816	700
	30	553	474	676	579	918	787
2400	24	460	394	562	482	764	655
	26	537	460	657	563	893	765
	28	614	526	751	643	1021	875
	30	691	592	845	724	1148	984
2800	24	552	473	675	578	917	786
	26	645	552	788	675	1071	918
	28	737	632	901	772	1225	1050
	30	829	710	1014	869	1378	1181
3200	24	644	552	787	674	1070	917
	26	752	644	919	788	1250	1071
	28	860	737	1051	901	1429	1225
	30	967	829	1183	1013	1607	1378

Q [W] 12/16 °C, relative humidity 50 %

SPEED		1		2		3	
rpm/min		475		583		755	
LENGTH [mm]	Ti [°C]	COOLING OUTPUT [W]					
		Qk[W]	Qs[W]	Qk[W]	Qs[W]	Qk[W]	Qs[W]
1200	24	161	138	196	168	267	229
	26	192	164	234	201	318	273
	28	223	191	272	233	370	317
	30	253	217	310	265	421	361
1600	24	241	206	295	252	400	343
	26	287	246	351	301	478	409
	28	334	286	408	350	555	476
	30	380	326	465	398	632	541
2000	24	321	275	393	336	534	457
	26	383	328	469	402	637	546
	28	445	381	544	466	740	634
	30	507	434	619	531	842	722
2400	24	401	344	491	421	667	572
	26	479	411	586	502	796	682
	28	556	477	680	583	925	793
	30	633	543	774	664	1053	902
2800	24	482	413	589	505	801	686
	26	575	493	703	602	955	819
	28	668	572	816	700	1110	951
	30	760	651	929	796	1263	1083
3200	24	562	482	687	589	934	801
	26	671	575	820	703	1115	955
	28	779	668	952	816	1294	1110
	30	887	760	1084	929	1474	1263

Q [W] 16/18 °C, relative humidity 50 %

SPEED		1		2		3	
rpm/min		475		583		755	
LENGTH [mm]	Ti [°C]	COOLING OUTPUT [W]					
		Qk[W]	Qs[W]	Qk[W]	Qs[W]	Qk[W]	Qs[W]
1200	24	97	97	119	119	162	162
	26	124	124	152	152	207	207
	28	176	151	215	185	293	251
	30	207	177	253	217	344	295
1600	24	146	146	179	179	243	243
	26	186	186	228	228	310	310
	28	264	226	323	277	439	376
	30	311	266	380	326	516	443
2000	24	195	195	238	238	324	324
	26	248	248	304	304	413	413
	28	352	302	431	369	585	502
	30	414	355	506	434	688	590

Q [W] 16/18 °C, relative humidity 50 %

SPEED		1		2		3	
rpm/min		475		583		755	
LENGTH [mm]	Ti [°C]	COOLING OUTPUT [W]					
		Qk[W]	Qs[W]	Qk[W]	Qs[W]	Qk[W]	Qs[W]
2400	24	243	243	298	298	405	405
	26	311	311	380	380	516	516
	28	440	377	538	461	732	627
	30	518	444	633	543	861	738
2800	24	292	292	357	357	486	486
	26	373	373	456	456	620	620
	28	528	453	646	554	878	753
	30	621	532	760	651	1033	885
3200	24	341	341	417	417	566	566
	26	435	435	532	532	723	723
	28	617	528	754	646	1024	878
	30	725	621	886	760	1205	1033

Qk [W] - total cooling output, Qs[W] - sensible cooling output (air relative humidity 50 %)