



SPECIFICATIONS

- Offices, corridors, halls
- Optimal rating output
- Forced convection by tangential fans
- Smooth running
- Dry ambience

HEATING OUTPUT

Q [W] 90/70/20 °C

SPEED	0	1	2	3
rpm	0	1692	1928	2455
LENGTH [mm]	HEATING OUTPUT [W]			
800	63	473	547	594
1200	133	947	1094	1187
1600	203	1420	1641	1781
2000	273	1893	2189	2375
2400	343	2366	2736	2968
2800	413	2840	3283	3562
3200	483	3313	3830	4155
3600	553	3786	4377	4749
4000	624	4259	4924	5343
4400	694	4733	5471	5936
4800	764	5206	6018	6530

Qn [W] 75/65/20 °C

SPEED	0	1	2	3
rpm	0	1692	1928	2455
LENGTH [mm]	HEATING OUTPUT [W]			
800	48	389	450	488
1200	102	779	900	977
1600	156	1168	1350	1465
2000	210	1557	1800	1953
2400	264	1946	2250	2441
2800	318	2336	2700	2930
3200	372	2725	3150	3418
3600	425	3114	3600	3906
4000	479	3503	4050	4394
4400	533	3893	4500	4883
4800	587	4282	4950	5371

Q [W] 70/55/20 °C

SPEED	0	1	2	3
rpm	0	1692	1928	2455
LENGTH [mm]	HEATING OUTPUT [W]			
800	38	327	378	410
1200	81	654	756	820
1600	123	981	1134	1231
2000	166	1308	1512	1641
2400	209	1635	1890	2051
2800	251	1962	2268	2461
3200	294	2289	2646	2871
3600	336	2616	3024	3282
4000	379	2943	3403	3692
4400	422	3270	3781	4102
4800	464	3597	4159	4512

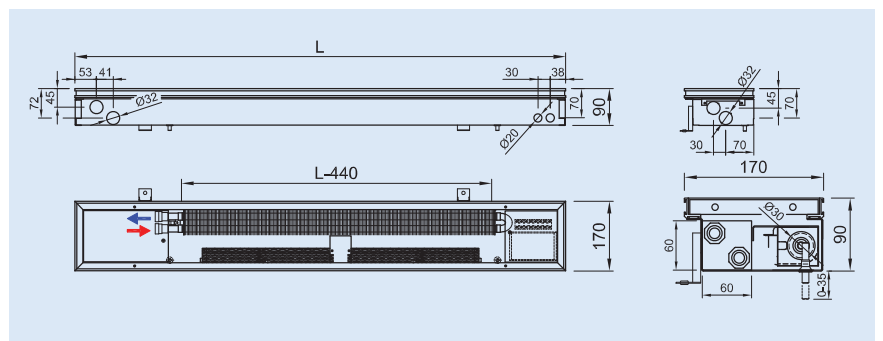
Q [W] 55/45/20 °C

SPEED	0	1	2	3
rpm	0	1692	1928	2455
LENGTH [mm]	HEATING OUTPUT [W]			
800	23	225	260	282
1200	49	450	521	565
1600	75	675	781	847
2000	100	901	1041	1130
2400	126	1126	1301	1412
2800	152	1351	1562	1694
3200	178	1576	1822	1977
3600	203	1801	2082	2259
4000	229	2026	2342	2541
4400	255	2251	2603	2824
4800	281	2476	2863	3106



PARAMETERS

Convector	Width	170 mm
	Height	90 mm
	Length	800-4800 mm in step 400 mm
	Height adjusting	0-35 mm
	Stainless trough width	150 mm
	Grill type	cross / linear
Exchanger	Grill material	anodized aluminium, wood, stainless steel
	Width	60 mm
	Height	60 mm
	Finned length	L-440mm
	Heat medium connection	2 x G1/2" female thread
	Max. working temperature	110 °C
Fan	Max. working overpressure	1 MPa
	Rotor diameter	∅ 30 mm
	Operating voltage	230V AC / 50Hz
	Ingress protection	IP20
Operating conditions	Regulation	by output voltage modification (regulation Z-VD...)
	Ambient temperature	+2 to +40 °C
	Relative humidity	20-70%



	SPEED	LENGTH [mm]										
		800	1200	1600	2000	2400	2800	3200	3600	4000	4400	4800
ACOUSTIC PRESSURE LpAmax [dB(A)]	1	33	34	35	35	35	36	37	37	37	38	39
	2	41	41	42	43	43	43	44	45	45	46	46
	3	46	47	47	48	48	46	49	50	50	51	51
AIR VOLUME [m³/h]	1	32	66	99	133	165	199	232	266	298	332	365
	2	41	86	127	171	212	257	298	343	384	429	470
	3	49	98	147	197	245	295	343	393	442	491	540

Code example	FCT20-08120-NR111	Floor convector FCT20-08, H=90 mm, W=170 mm, L=1200 mm, stainless steel trough, Al natur frame, Al natur cross roll-up grill, installed regulation Z-VD001, Convector 230 V AC
--------------	--------------------------	--

Ordering, see the page 41