

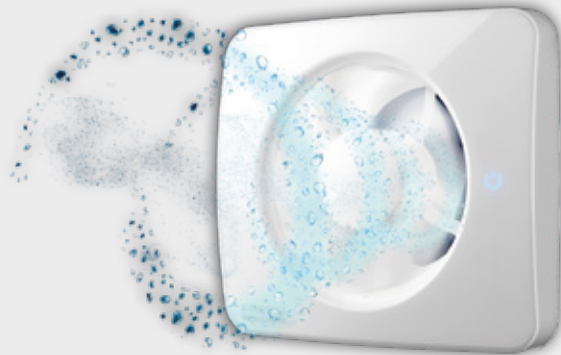


INVENTER

Aviant

Exhaust Fan

Installation and Operating Instructions



Trademarks, copyrights and industrial property rights

inVENTer® is a protected trademark of inVENTer GmbH.

The copyright of this document remains with the manufacturer.
Rights to all content and images: © inVENTer GmbH 2016-20.

All trademarks used in this documentation are the property of their respective owners and are hereby acknowledged.

Disclaimer

This documentation is the original installation and operating instructions. It must be passed on to the user (tenant, owner, property manager, etc.) after completion of installation.

The contents of this documentation have been checked for conformity with the hardware and software described. Nevertheless, deviations cannot be excluded, so that no guarantee can be given for complete conformity. This documentation describes the functionality of the standard range. For reasons of clarity, the documentation does not contain all detailed information on all types of the product and cannot take into account every conceivable case of installation, assembly, operation, cleaning and maintenance. The illustrations in this documentation may differ slightly from the design of the product you have purchased. The function remains the same despite the difference in detail.

This documentation is updated regularly. Necessary corrections and appropriate supplements are always included in the following releases. This documentation is updated regularly

www.inventer.de/downloads.

Version 1.1

IMPRESSUM

EDITOR:
INVENTER GMBH
ORTSSTRASSE 4A
D-07751 LÖBERSCHÜTZ
PHONE: +49 (0) 36427 211-0
FAX: +49 (0) 36427 211-113
EMAIL: INFO@INVENTER.DE
HOMEPAGE: WWW.INVENTER.DE

GENERAL MANAGER: ANNETT WETTIG
VAT IDENTIFICATION NUMBER: DE 815494982
LOCAL COURT JENA HRB 510380

ALL INFORMATION WITHOUT GUARANTEE.
SUBJECT TO TECHNICAL CHANGES WITHOUT NOTICE.
NO LIABILITY FOR PRINTING ERRORS.

Table of Contents

1 User and Safety Instructions	4
1.1 User Instructions	4
1.2 Safety Instructions.....	4
2 System Overview.....	6
2.1 Features.....	7
3 Assembly Preparation.....	8
3.1 Installation Location.....	8
3.2 Dimensions.....	8
4 Electrical Connection	9
4.1 Terminal Assignment	9
4.2 Connection Diagrams	10
5 Installation.....	11
6 Operation	15
7.1 Control via inVENTer Mobile application	15
7.2 Control via the Ventilation Unit.....	16
8 Cleaning and Maintenance	20
9 Technical Specifications	22
10 Scope of Delivery	23
11 Accessories and Spare Parts	23
12 Warranty and Manufacturer's Warranty	23

1 User and Safety Instructions

Thank you for choosing a inVENTer quality product!

This chapter will provide you with an overview of the basic safety precautions for safe and proper operation of your ventilation system.

1.1 User information

Safety and warning concept

The safety instructions in this documentation have a uniform structure and are marked with a symbol on the left-hand side of the note. The color of the symbol indicates the hazard level. A signal word above the text indicates the hazard level. If several hazard levels occur, the safety note for the highest level is always used.



SIGNAL WORD

Type and origin of the hazard.

Possible consequences of the danger!

- Measures to avoid the hazard.

The signal word indicates the severity of the danger that occurs if it is not avoided:



HAZARD means: Serious personal injury or death is imminent.



WARNING means: Serious personal injury or death may be imminent.



CAUTION means: Light/medium personal injury is imminent.



NOTE means: Damage to property is imminent or possible.

1.2 Safety instructions

The installation and operating instructions are part of your ventilation system and must be available at all times. When the unit/system is handed over to a third party, the installation and operating instructions must also be handed over. Before carrying out any work on the system, read this documentation carefully and observe all the instructions for installation, commissioning and maintenance given in this chapter. In addition, observe the safety instructions that precede the instructions described.

Failure to observe the safety instructions may result in personal injury and/or damage to property.

Intended use



You can use the exhaust air fan Aviant to ventilate rooms with outside windows under consideration of the technical data given in this manual, described applications and only in connection with the components recommended and approved by inVENTer GmbH and mentioned in this documentation. Modifications or alterations to the device/system are not permitted. Proper and safe operation of the device requires proper transport, proper storage and installation as well as careful operation and cleaning/maintenance. Observe all safety regulations listed in this documentation.


Improper use will result in the exclusion of any liability claims.

Improper use

In particular, do not install/operate the device in areas where the following may occur:

- Environment with high oil or grease content.
- Flammable gases, liquids or vapours.
- Ambient temperatures outside 5 – 50 °C
- Possible obstacles to access to the obstruct the fan or the removal of the fan.

Qualified personnel

The Aviant exhaust fan complies with the technical safety requirements and standards of electrical appliances for domestic use. The device may only be set up and operated in conjunction with this documentation. Installation and electrical connection of the unit may only be carried out by qualified personnel (see also symbol: .

Qualified personnel within the meaning of the safety information in this documentation are persons who are authorized to assemble, commission and mark devices, systems and circuits in accordance with the standards of safety technology.

General Safety Regulations

- Observe the relevant, valid standards, regulations and guidelines when working.
- The Aviant exhaust air fan is designed for permanent installation with permanent wiring.
- **HAZARD:** Observe the installation regulations according to VDE 0100 when connecting in damp rooms. The Aviant exhaust air fan must not be used in places where direct contact with splash water is possible over a longer period of time and/or contact with direct jet water.

- **HAZARD:** Comply with the specifications of protection class II when laying the mains cable. Lay cables without a plaster-resistant cable sheath in the empty conduit.
- External terminations must be designed so that they are safe from driving rain and project above the local snow depths.
- Install wall mounting sleeves with a slope of 1 – 2° to the outside and, after installation, guide the wall assembly back up to the wall mounting sleeve. Wall mounting sleeves and required material must be provided by the customer.
- The wall mounting sleeve in which the ventilation unit is mounted must have a minimum length of 180 mm.
- **HAZARD:** It must be ensured that the mains power supply (voltage, frequency and phase) corresponds to the specifications on the rating plate.
- **CAUTION:** The installation, commissioning and operation of the device must not be carried out by children and/or persons who are not safely able to do so due to their physical, sensory or mental abilities or their inexperience or ignorance. Young children must be supervised to ensure that they do not play with the device.
- Ensure that there is sufficient air supply in the room, for example through a large clearance under the door.
- **WARNING:** For joint operation with room air-dependent and room air-independent fireplaces, safety measures must be taken to prevent the creation of negative pressure in the building. The responsible chimney sweep and/or building planner decides which measures are to be taken.
- The exhaust air fan may only be put into operation after completion of the construction work.

2 System overview

The Aviant is an innovative exhaust fan with a contemporary design. It improves the basic ventilation in your rooms and enables continuous ventilation to reduce humidity and odours in wet rooms (WC/bath/shower room/laundryroom).

The Aviant can be used in combination with the aV100 wall mounting set, or installed in an alternative wall mounting sleeve with diameter DN98-DN100 or DN118-DN125 and minimum length 180 mm. The use of the aV100 wall mounting set is recommended. Installation is possible in ceilings and external walls. The Aviant is connected directly to the 230 V mains.

To ensure that the Aviant does not interfere with other ventilation and that its function is not disturbed by other ventilation processes, it must always be installed in its own wall mounting sleeve. There must be no obstacles or other objects in this sleeve to disturb the airflow. In order to prevent condensation (in winter) from forming in wall mounting sleeves, they must be insulated where they pass through unheated areas, such as cold attics.

The Aviant meets the requirements for mechanical safety (DIN EN 60335-2-80).

The Aviant is equipped with a Bluetooth radio system.

Bluetooth LE: -12dBm EIRP (63µW), nominal 2450MHz. inVENTer GmbH hereby declares that the Bluetooth radio system installed in the device complies with the 2014/53/EU directive. The full text of the EU Declaration of Conformity is available at the following website:
<https://www.inventer.de/downloads/>

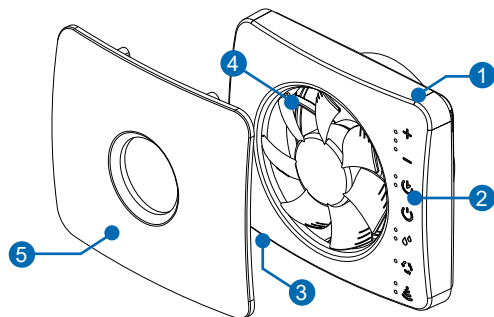


Figure 1: Exhaust air fan Aviant with cover

- | | |
|-----------------|--------------------------|
| 1 Fan housing | 4 Fan |
| 2 Control panel | 5 Inner panel (magnetic) |
| 3 ON/OFF switch | |

Features

- Permissible installation within protection area 1 in bath and shower rooms according to VDE 0100
- Protection class IP44 met
- **ATTENTION:** Do not expose the Aviant exhaust air fan to the jet water! Be sure to pay attention when installing position!
- Wall or ceiling mounting possible
- Can be controlled and set up using the inVENTer Mobile application software via mobile device or at the fan's control panel
- Advanced functions for operation via App: Boost function, more run-on times and longer switch-on delay can be selected
- Humidity sensor with adjustable sensitivity
- Light sensor and switching impulse with follow-up control and delayed switch-on
- Air quality sensor
- Easy cleaning due to easily accessible fan unit

2.1 Features

- **Automatic Humidity Control:**
When humidity rises sharply, for example when the shower is in use, the air flow rate increases to remove peaks in humidity. The intensity of the air flow rate can be set via the app or on the control panel.
- **Odour Sensor:**
The fan automatically increases the air flow rate if the indoor air quality deteriorates. When the humidity sensor is activated, the air flow rate corresponds to the selected maximum.
- **Timer Function:**
Activation is via the integrated light sensor or an external switching contact as trigger. When switched, the fan increases the air flow rate.
Optionally, a switch-on delay of 2 minutes or a follow-up time can be set, between 15 or 30 minutes. The intensity of the air volume flow can be set via the app or on the control panel.
- **Permanent Ventilation:**
Continuous ventilation to ensure permanent ventilation. The intensity of the air volume flow can be set via the app or on the control panel.
- **Automatic Basic Ventilation Cycles:**
If the ventilation unit has been inactive for more than 26 hours, the ventilation unit automatically goes into ventilation mode for 60 minutes. The function is not active if the ventilation unit is set to continuous operation. The intensity of the air volume flow can be set via the app or on the control panel.

When starting up the fan for the first time, the following factory settings are active:

- Permanent operation with an air volume flow of approx. 36 m³/h*
- Ventilation Function: 1 h/day
- Timer: about 72 m³/h* for 15 Minutes
- Humidity monitoring: approx. 90 m³/h*

The Aviant is controlled and set up by means of the NEVARD Mobile application software or on the control panel of the exhaust air fan.

You can download the app free of charge from the Google Play Store (Android) or in App Store (iOS).



Technical Requirements:

- Mobile devices with Android or iOS operating system
- Bluetooth Smart

Here you can find out more about all the possibilities that inVENTer Mobile offers and can download the app directly:
www.inventer.de



3 Assembly Preparation

3.1 Installation Location

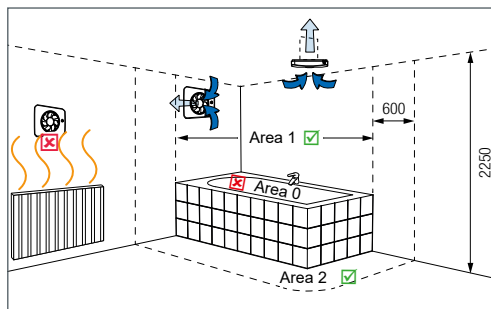


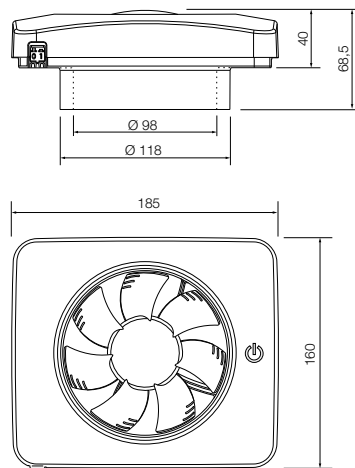
Figure 2: Overview of electrical safety areas in the bathroom

- Observe the specifications of VDE 0100 when selecting the installation location (outside the protection zone 0)
- ATTENTION:** The exhaust air fan Aviant must not be exposed to jet water. Please take into account the installation position!
- Installation is possible in ceilings and external walls. The exhaust air fan Aviant is inserted into a wall mounting sleeve with DN100 or DN 118-125. These must be provided by the customer.

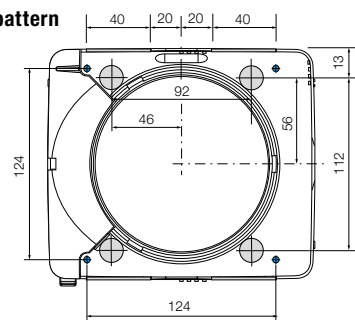
Description	Depth [mm]	Width [mm]	Height [mm]
Wall openings	Wall thickness	Ø 108 – 133	
Aviant	68,5	185	160
Wall mounting sleeve ¹⁾	Wall thickness, [min. 180 mm]	Ø 98 – 125	

¹⁾ Wall mounting sleeves are available in the av100 wall mounting set, including weather protection cover, from inVENTer GmbH.

3.2 Dimensions



Hole pattern



4 Electrical Connection

The Aviant exhaust air fan is connected directly to the AC 230 V mains.

- HAZARD Exposed electrical components.**
Electric shock and injury from live components (230 V, 50 Hz)!
- Before working on electrical systems, disconnect all affected devices from the power supply.
 - Do not lay or connect cables under voltage.
 - Connection only by qualified and trained personnel.

- HAZARD Water ingress into the exhaust fan or its components/power source.**
Electric shock and overheating through short circuit (230V, 50 Hz)!
- Mount Aviant exhaust air fan outside the protection area 0 according to VDE 0100.

- NOTE Wire cross section too small.**
Too high voltage drop and/or contacting not ensured!
- Use a wire cross section of 1.5 mm² for the mains connection cable.

- NOTE Mains connection cable laid over the cover of the circuit board.**
Damage to the circuit board and no function of the Aviant exhaust air fan!
- Do not route the mains connection cable AC 100 - 240 V over the board.

4.1 Terminal Assignment

Connection terminal power supply cable

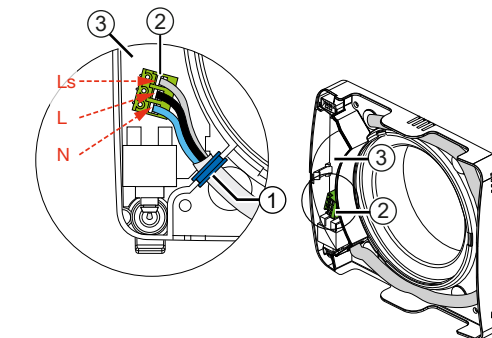


Figure 3: Board for exhaust air fan Aviant: Terminal assignment connection terminal mains connection cable (230 V AC)

- Cable bushing power supply cable (sleeve)
- Connection terminal mains connection cable, 230 V AC, 3-pole

Terminal	Labelling	Meaning
N	N	Neutral conductor
L	L	Conductor, phase
LS	SL	Phase, switched

- Board

4.2 Connection Diagrams

The fan is double insulated and must not be earthed.

The fan is equipped with an all-pole breaker. Coupling with an external switch is not necessary, it is optional (timer function).

The Aviant exhaust air fan can be combined with a light switch (2-pole) or connected to a standard switch (connection diagram 2) or button (connection diagram 3). In addition to the light sensor, this activates the timer function (switch) or the follow-up (button). It is not included in the scope of delivery and must be provided by the customer.

1 Sensor controlled:

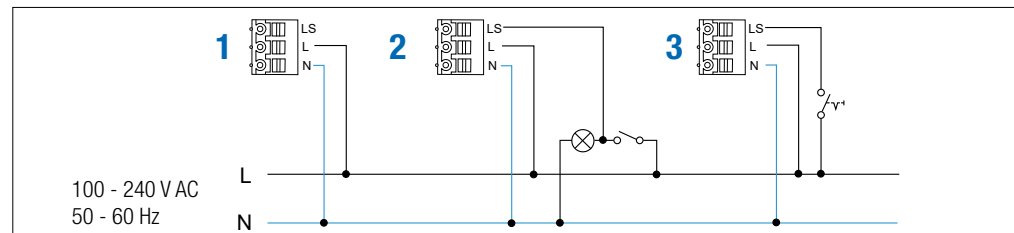
- Increasing the fan output at increased humidity, under the influence of light changes and odorous substances (activation by sensors). The fan is continuously connected to the power supply, phase (L) and neutral conductor (N), see wiring diagram 1.

2 Sensor-controlled with timer function depending on the room lighting:

- Increasing the fan output when activated by sensors. In addition, the timer function (start delay and run-on time) can be activated with coupling to the room lighting. The fan is continuously connected to the power supply, phase (L) and neutral conductor (N). The switched phase (SL) is connected to give an impulse to start the ON delay (2 minutes) or the fan when the room lighting is switched on. The fan runs as long as the room lighting is switched on. If the room lighting is switched off, the fan continues to run for 15 / 30 minutes after this time, see wiring diagram 2.

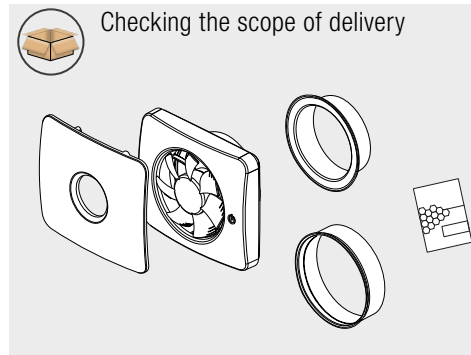
3 Sensor-controlled with follow-up function

Increasing the fan output when activated by sensors. When the external button is pressed, the fan is switched on and the follow-up time is activated at the same time. The fan runs until the end of the follow-up time (15/30 minutes) and then switches off automatically, see connection diagram 3.

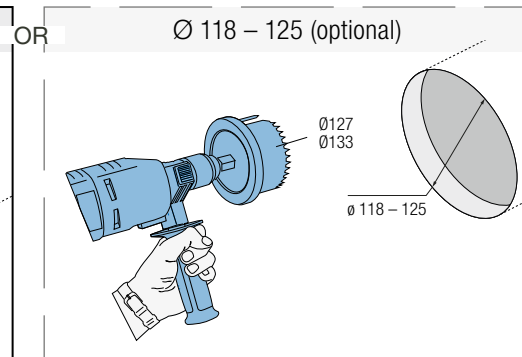
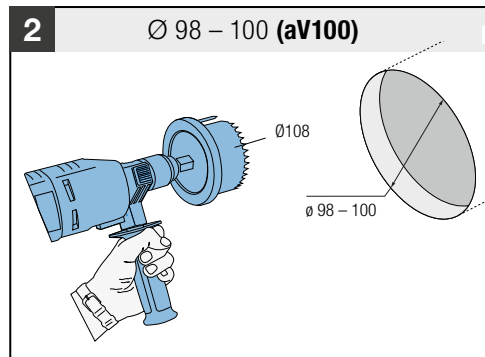
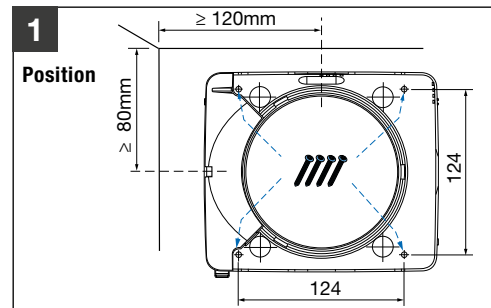


5 Installation

Checking the scope of delivery

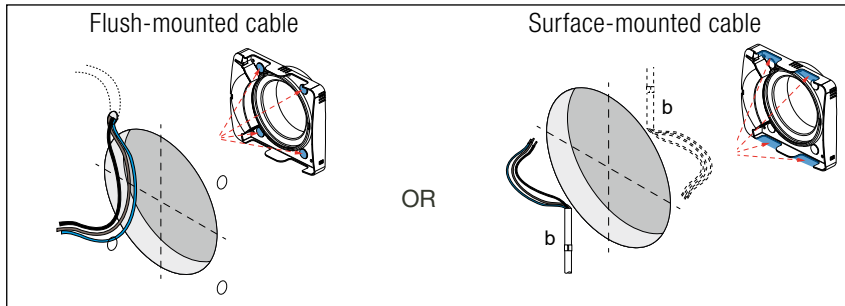
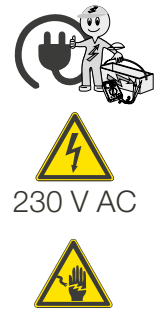


Make a wall opening

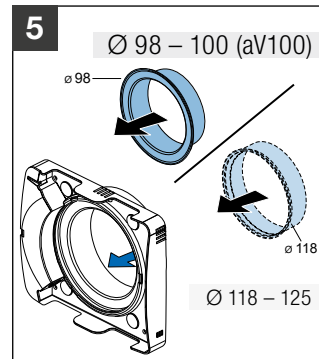
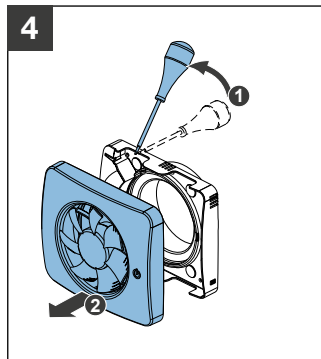
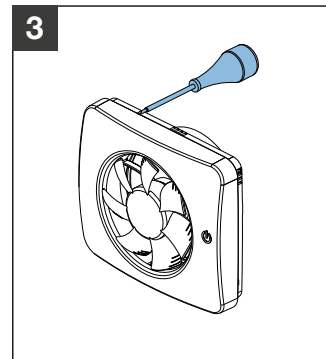


aV100 wall mounting set

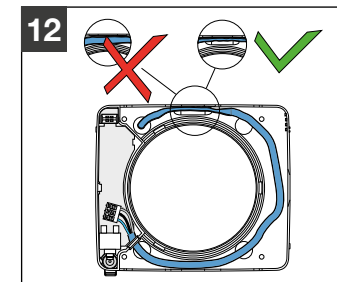
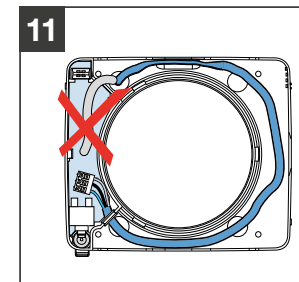
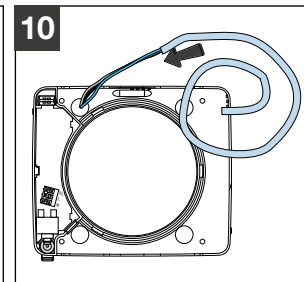
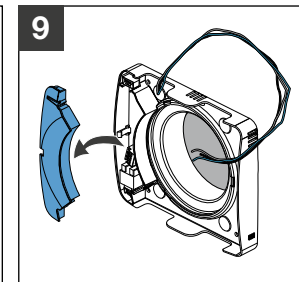
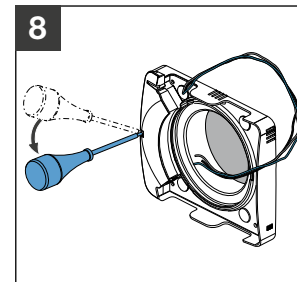
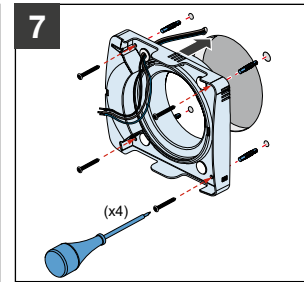
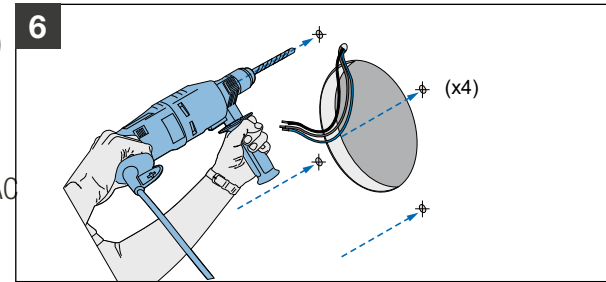
Lay cable

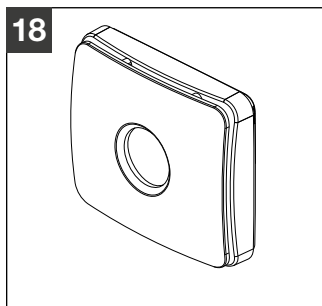
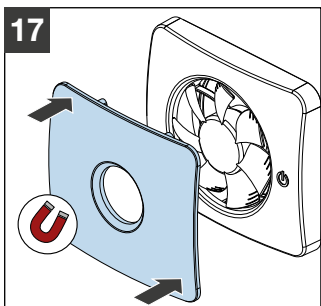
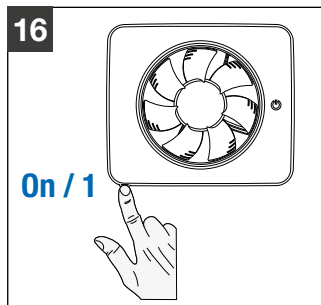
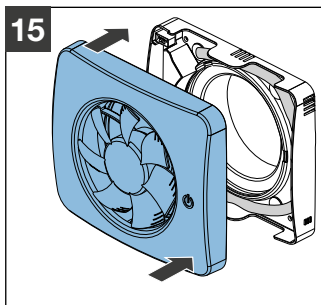
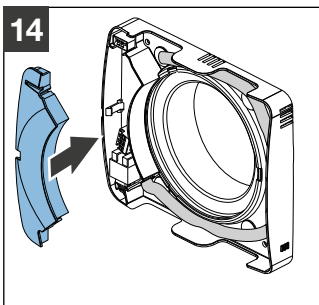
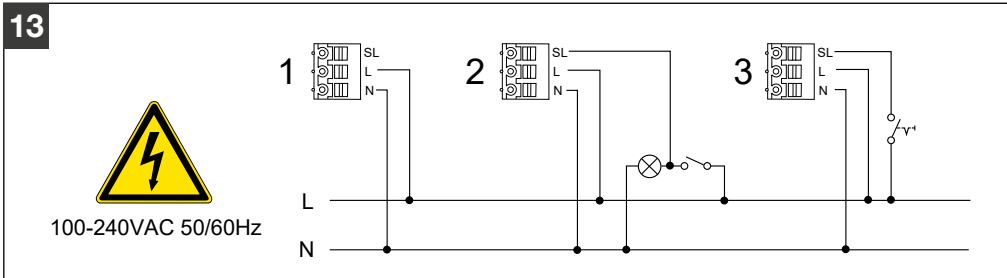


Insert exhaust fan



Electrical connection





6 Operation

6.1 Control via inVENTer Mobile application

NOTE: Connect the Aviant to your mobile device exclusively via the inVENTer Mobile app. A direct pairing via Bluetooth Smart will result in installation errors and the Aviant must be reset (see 16 (Before resetting, deactivate the Auto-Pairing function in Bluetooth Smart!)).

Requirements for the functionality of the app:

- Mobile devices with Android or iOS operating system
- Bluetooth Smart (recommendation: Disable Auto-Pairing option before setting up the Aviant)

The operating systems and versions for the operating systems are continuously updated. You can find further information at: www.inventer.de and directly on the App Store (iOS) or Play Store (Android).



Activating the inVENTer Mobile App

Step 1: Download the NEVARD Mobile app free of charge from the App Store (iOS) or Play Store (Android) on your mobile device.



Step 2: Open the inVENTer Mobile app and press **START**.

Step 3: Follow the instructions in the setup menu.

⇒ You have activated the app and can configure your Aviant.

TIP: To add the Aviant to the app, touch the „+“ (blue arrow) in the Start menu.



Pairing the Aviant

An Aviant exhaust air unit can be set up on several mobile terminals.

Step 1: Touch the Function Display icon on the control panel of your Aviant.

⇒ The symbols of all adjustable functions light up.

Step 2: Touch the icon for at least 8 seconds.

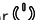
⇒ The symbol on the control panel starts flashing.

Step 3: Press **CONNECT** in the inVENTer Mobile App.

⇒ The icon will remain lit for as long as your device is paired.

6.2 Control via the Ventilation Unit

All functions of the exhaust air unit can be set directly on the control panel of the fan.

Depending on the active function, the function indicator  lights up in different colours:



No indicator light

Continuous ventilation / Off



Blue indicator light

permanently: Activation by humidity sensor
flashing: too high humidity values detected



Green indicator light

Activation by air quality sensor



Violet illuminated display

Fan is in automatic ventilation (1 x per 26 h without use)



Yellow indicator light


permanently: Timer function activated
Flashing: Power-on delay activated, flashing gets faster towards the end of the power-on delay.



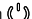
Red indicator light

Connection error. Touch the Function Display icon or restart the „inVENTer mobile“ application.

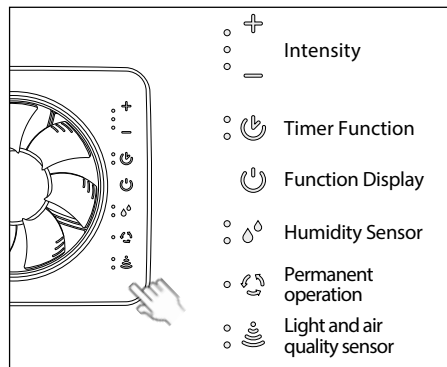
Activate the Control Panel

If the symbol  lights up permanently on the control panel, the ventilation unit is already paired via a mobile terminal and cannot be controlled on the control panel. First, disconnect the Bluetooth connection. The symbol disappears and operation on the control panel is possible.

Step 1:

Touch the Function Display icon .

⇒ The symbols of all adjustable functions light up.



Step 2:

Touch the icon with the corresponding symbol to make the function setting:



Timer



Humidity sensor





Permanent operation



Light and air quality sensor


⇒ Only the selected function icon lights to indicate that settings can be made.

Reset to factory settings (Reset)


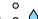
Touch the  symbol momentarily.
Touch the  icon again for at least 5 seconds.

⇒ All functions are set to factory defaults.

Setting the humidity sensor


Step 1: Touch the  symbol.

⇒ The sensor sensitivity set is displayed:

High  Low 
Medium  Inactive 

Step 2: Touch the  icon for 2 seconds.

⇒ The sensor sensitivity can be changed.


Step 3: Touch the  icon repeatedly until the desired sensor sensitivity is displayed:

High  Low 
Medium  Inactive 

Step 4: Touch the + / - icon to increase/decrease the airflow rate during operation under humid conditions (unit is activated by humidity sensor):



Activate/deactivate light and air quality sensor


Step 1: Touch the  symbol

⇒ The activated sensors are displayed:



Step 2: Touch the  icon for 2 seconds.

⇒ The sensors can be activated and/or deactivated.

Step 3: Touch the  icon repeatedly until the desired combination of active sensors is reached:



Step 4: Touch the + / - symbol to increase/decrease the airflow when activated by the light sensor and in timer function:



The air flow rate when activated by the air quality sensor corresponds to the air flow rate when activated by the humidity sensor.

Timer Function

When activated by the light sensor or with an external switch, e.g. room lighting, the timer function is switched on.

When the room lighting is switched on or when the light sensor responds, the fan is switched on or, if selected, the switch-on delay is activated.

During the **switch-on delay**, the fan does not run. Afterwards the fan starts automatically. The switch-on delay is 2 minutes.

The switch-on delay can be cancelled (press switch/light sensor reacts again). In this case, the fan will not start after the end of the switch-on delay.


If the room light is switched off / if the light sensor receives a new impulse, the **follow-up function** is switched on: After switching on the overshoot function, the Aviant continues to run until the end of the overshoot time and then switches off automatically.

The follow-up time can be set to 15 minutes or 30 minutes on the control panel.

	Switch on	Switch off
Switch-on delay & follow-up	Switch-on delay is activated. Afterwards the fan starts up.	Follow-up time is activated.
Overshoot	The fan starts up.	


The timer function is used to set the run-on time and the switch-on delay, as well as to set the air volume flow when the light sensor responds.

Setting the follow-up time

Step 1: Touch the  symbol.

⇒ The currently set follow-up time is displayed:



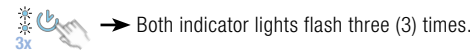
Step 2: Touch the  symbol repeatedly until the indicator lamp lights with the desired follow-up time:



⇒ The follow-up time is set.

Activate/deactivate switch-on delay

Step 2: Touch the  icon for 2 seconds.



⇒ The switch-on delay is activated.

Perform step 2 again to deactivate the switch-on delay.

Step 3: Setting the air flow rate

Touch the + / - symbol to increase/decrease the air flow in timer function:




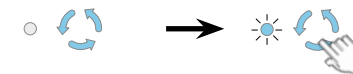
Permanent operation

Permanent operation is used to achieve continuous venting (continuous ventilation). When the Aviant is in permanent operation, all sensors and the timer function are active.

In permanent operation, automatic ventilation every 26 hours does not take place.

Step 1: Activate

Touch the  symbol until the indicator light is on:



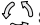
⇒ The exhaust fan is in permanent operation.

Step 2: Setting the air flow rate

Touch the + / - symbol to increase/decrease the air flow in permanent operation:



Step 3: Disable

Touch the  symbol until the indicator light goes out:



⇒ The exhaust fan operates on demand.

7 Cleaning and Maintenance



HAZARD Exposed electrical components and rotating parts on the fan.

Electric shock and injury from live (230 V, 50 Hz) and rotating components!

- Before working on electrical systems, disconnect all affected devices from the power supply.

The Aviant exhaust fan is almost maintenance-free. The necessary cleaning and maintenance work can be carried out by the user of the system himself after a short briefing.

The measures and intervals listed here are recommendations of inVENTer GmbH to maintain the function and performance of the Aviant exhaust air fan.

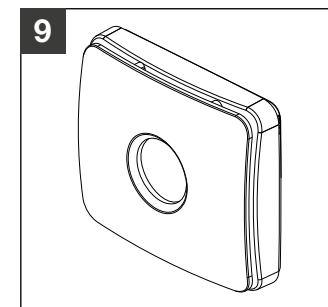
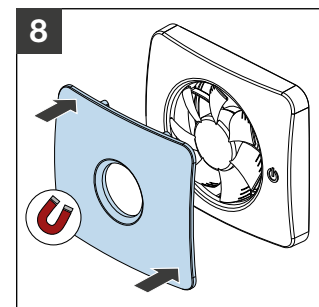
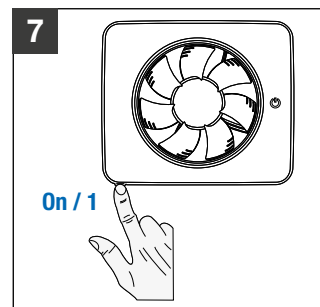
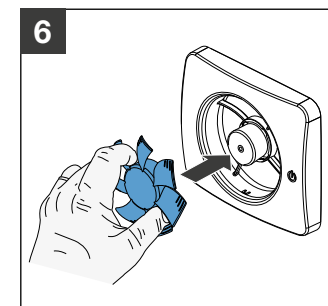
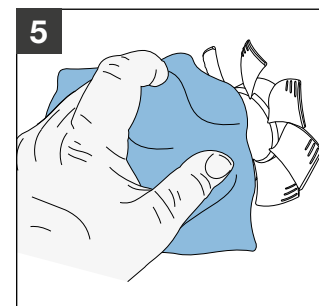
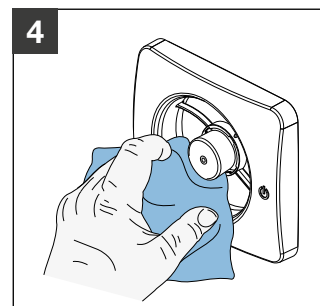
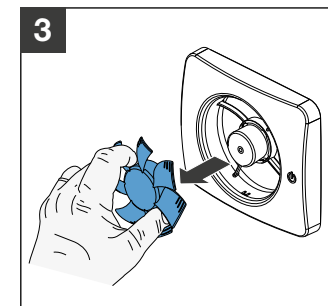
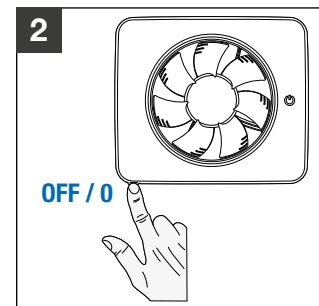
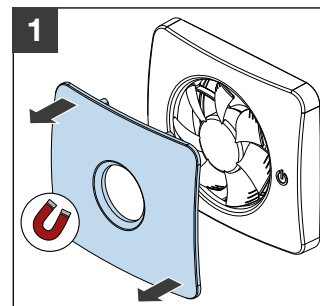
Depending on your needs and/or air quality, your personal maintenance schedule may differ from these recommendations.

Cleaning agents:

The Aviant exhaust air fan has a plastic surface that is sensitive to scratches. Do not use cleaning agents containing sand, soda, acid or chlorine to avoid damages to the surface.

The fan must not be immersed in water or sprayed with water.

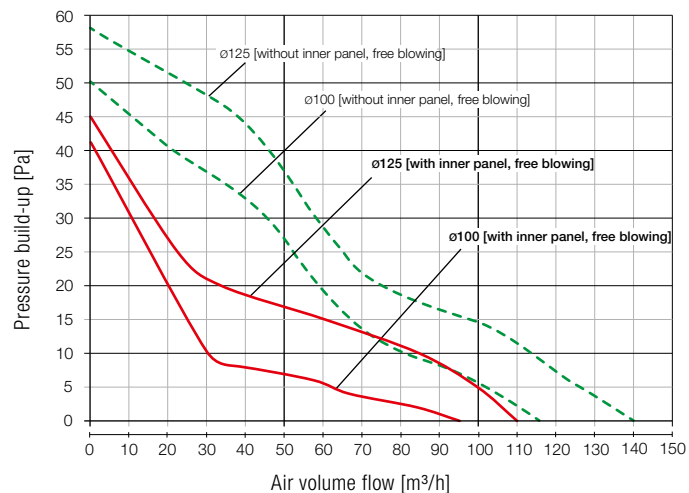
Interval	Component	Maintenance activity
Monthly	Fan housing	Clean the surface with a damp cloth.
Semi-annually	Fan unit	Remove the fan unit from the fan housing and clean with a damp cloth.



8 Technical Specifications

Feature	Parameter	Feature	Parameter
Protection class	II	Exhaust air volume flow [m³/h] (with inner panel, free blowing)	∅ 100: 95 ∅ 125: 110
Protection class	IP44	Max. pressure build-up [Pa] (with inner panel, free blowing)	∅ 100: 41 ∅ 125: 45
Input voltage	AC 100 – 240 V, 50 – 60 Hz	Sound emission (assessed) [dB(A)]	17 – 20
Power consumption [W]	2 – 5	Wall opening [mm]	105 – 130 mm
Ambient temperatures [°C]	5 – 50	Material	ABS
Diameter x depth [mm]	185 x 160 x 40	Weight [g]	400

Aviant Air volume flow characteristic Aviant exhaust air fan



9 Scope of Delivery

Component	Order number
Aviant	3002-0323

10 Accessories and Spare Parts

Component	Order number
Accessories	
aV100 wall mounting set	1001-0159
Draft shield insert WSE R-D100	1004-0173
Spare part	
Aviant inner panel	3006-0324

11 Warranty and Manufacturer's Warranty

Warranty

Outside Germany, the national warranty regulations of the country in which the system is sold apply. Contact the dealer in your home country.

The warranty covers all defects that existed at the time of purchase. Observe the intended use in order to maintain the warranty claim.

Manufacturer's Warranty

Manufacturer provides a five-year warranty on the Aviant exhaust fan. This covers premature product wear. Information on the warranty conditions can be found at www.inventer.de/garantie.

Warranty and guarantee claims

In the event of a warranty or guarantee claim, please contact the dealer or factory representative responsible for you.

Always return the complete device to the manufacturer. The warranty claim is an additional offer of the manufacturer and does not affect applicable law in any way.

12 Service

Complaints

On receipt, check the delivery for completeness and transport damage on the basis of the delivery note. Complain any missing items immediately, at the latest within 14 days, to your supplier, dealer or factory representative.


Accessories and spare parts

To order components for your ventilation unit, please contact your factory representative or our service staff.

Technical customer service

Contact our service staff for technical advice:
 Phone: +49 (0) 36427 211-0
 Email: info@inventer.de
 Internet: www.inventer.de

Disposal

 Dispose of the product in accordance with the applicable national regulations.

For environmentally sound recycling and disposal of your old system, contact an electronic equipment disposal company. Also dispose of the packaging of the product sorted by type.



inVENTer

inVENTer GmbH

Ortsstraße 4a
D-07751 Löberschütz



+49 (0) 36427 211-0
+49 (0) 36427 211-113
info@inventer.de

www.inventer.de

Version 06/2020
Subject to technical changes without notice.
Order number: 5010-0011
© inVENTer GmbH 2016-20