

## Halogen infrared heater IH

Suitable for exposed outdoor environments with design demands

The infrared heater IH is powerful with a high filament temperature of 2200 °C and is the perfect choice for exposed outdoor environments where design is important. IH is available in two different designs. IHW gives a comfortable heat in the occupied zone from close range and also wider heat distribution. IHF has more direct heat distribution and is designed to be installed higher up.

IH is easy to position thanks to its compact design. The discreet and appealing look makes it suitable for outdoor environments with design demands.

- IH is available in two versions:
  - **IHW** provides wide heat distribution (60°), recommended installation height 1.8 – 2.5 m.
  - **IHF** provides directed heat distribution (40°), recommended installation height 2.3 – 3.5 m.
- IH consists of a halogen lamp with a faint red glow and a very high intensity and a highly-polished reflector for optimum heat distribution.
- Bracket for wall mounting. Can also be suspended from the ceiling or mounted on a post. Other mounting alternatives are available as accessories.
- Equipped with a 0.9 metre cord with plug for connection to an earthed outlet socket.
- Casing in anodised aluminium, grille in Nickel/Chrome plating, end caps in powder-coated light-alloy metal. Colour: RAL 9006.

Infrared heater IHW with wide heat distribution (IP44)

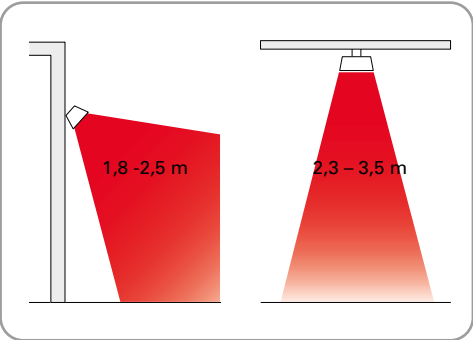
Type	Heat output [W]	Voltage [V]	Amperage [A]	Max. filament temperature [°C]	Dimensions LxHxW [mm]	Weight [kg]
IHW10	1000	230V~	4,3	2200	500x77x169	1,9
IHW15	1500	230V~	6,5	2200	500x77x169	1,9
IHW20	2000	230V~	8,7	2200	676x77x169	2,5

Infrared heater IHF with directed heat distribution (IP44)

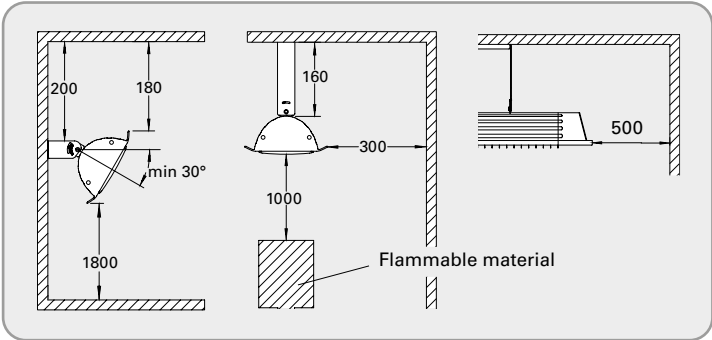
Type	Heat output [W]	Voltage [V]	Amperage [A]	Max. filament temperature [°C]	Dimensions LxHxW [mm]	Weight [kg]
IHF10	1000	230V~	4,3	2200	500x77x169	1,9
IHF15	1500	230V~	6,5	2200	500x77x169	1,9
IHF20	2000	230V~	8,7	2200	676x77x169	2,5

# Halogen infrared heater IH

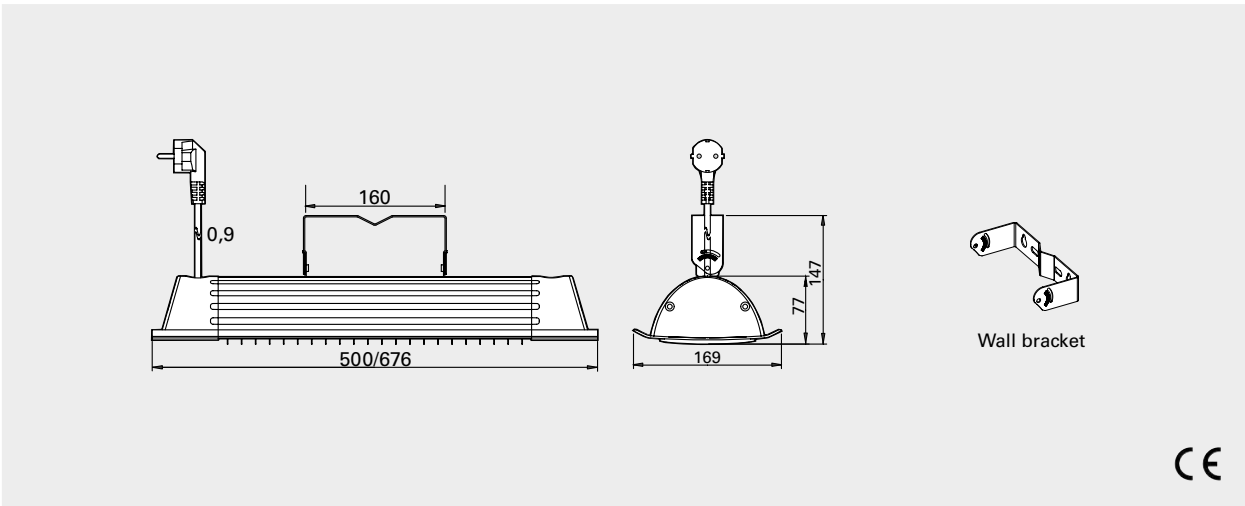
## Installation height



## Minimum distances



## Dimensions



Thanks to a high temperature of 2200 °C and the adapted reflector, IH is extremely efficient and provides a comfortable heat.



Radiant heaters give an intense, comfortable heat and prolong the summer season.

# Halogen infrared heater IH

## Positioning, mounting and connection

### Positioning

The heaters must be placed so that they cover the area to be heated, see fig. 1. The normal mounting height is 2–3 metres above the ground/floor. A rule of thumb for infrared heaters is that 600–800 W/m<sup>2</sup> increases the experienced temperature by about 10 °C. The output demand can be reduced if the area to be heated is protected. If the area only has a roof, at least 800 W/m<sup>2</sup> should be installed. 600 W/m<sup>2</sup> is sufficient if the area has three walls. For enclosed areas, the output demand must be calculated. Optimum comfort is achieved if the heat is distributed from at least two directions.

### Mounting

IH is installed horizontally on walls with supplied bracket. The heater can be angled up to 45°. The heater can also be mounted on e.g. a parasol or a post, a suitable U-bolt (not included) is used for this together with the supplied console. For ceiling installation use ceiling bracket IHE (accessory). For other mounting alternatives, see accessories.

### Connection

IH is equipped with a 0.9 metre cord with plug for connection to an earthed outlet socket.

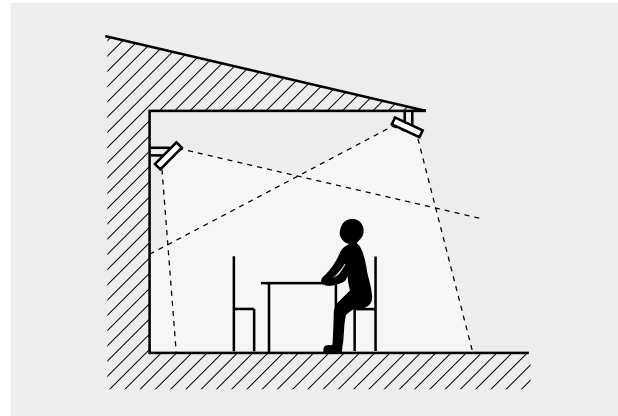


Fig. 1: The heaters should heat from at least two directions for even heating.



Post for floor mounting available as an option. With a triple bracket, three infrared heaters can be positioned on the same post so that heat can be directed in all directions.

## Control options

### Timer control

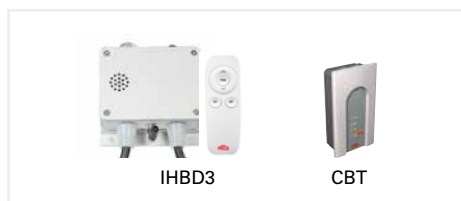
The timer can be set to a desired time. If the current load exceeds the timer's setting range or if you want to control a larger system, a contactor can be used.

- CBT, electronic timer

### Comfort control

The comfort controller allows you to wirelessly control one or more infrared heaters via an app (iOS or Android) or by using the remote control supplied. The IHBD3 offers stepless control via the Frico Infra app, or 5 step regulation when using the remote control.

- IHBD3, comfort controller



Type	Description
IHBD3	Comfort controller for infrared heater, remote control with dimmer, 3000W, 230V~, IP65
CBT	Electronic timer, IP44

For further information and options, see the "Controls" section.

Accessories



**IHUB, universal bracket**

A bracket that makes it easy to even angle IH/IHC sideways. The bracket also allows mounting on, for example, a windbreak when the clamping screw is used.

**IHE, ceiling bracket**

Used to secure the IH/IHC in the ceiling.

**IHXH, drooping extension bracket for high level mounting**

Used to install the heater at high level, such as above a window. Wall bracket included.

**IHXL, arching extension bracket for low level mounting**

Used to install the heater at low level, such as on a windbreak. Wall bracket included.

**IHT, triple bracket**

Three IH/IHC units can be mounted on the IHT bracket to provide heat in all directions. Can be suspended from the ceiling by three wires or mounted on an IHP post. Used for IH10, IH15 and IHC12.

**IHTW, wire kit**

Set of three bright galvanized wires for easy hanging of IHT.

**IHP, post for freestanding installation**

Post to stand IH/IHC on the floor. IHP has a fixed length of 2.3 m and can be cut to desired length. The IHT triple bracket can be attached to provide heat in all directions. IH/IHC can also be mounted directly on the post using a standard bracket and a U-bolt.

**KLS1KS, bracket with velcro**

Bracket with velcro for quick and flexible mounting under a parasol or an awning.

**IHAF, adapter mounting**

Adapter mounting to fix IH/IHC on bracket KLS1KS.

Type	Description
<b>IHUB</b>	Universal bracket for IH
<b>IHE</b>	Ceiling bracket
<b>IHXH</b>	Extension bracket for high level mounting
<b>IHXL</b>	Extension bracket for low level mounting
<b>IHT</b>	Triple bracket
<b>IHTW</b>	Wire kit (3 wires) for IHT
<b>IHP</b>	Post for freestanding installation
<b>KLS1KS</b>	Bracket with velcro
<b>IHAF</b>	Adapter mounting for KLS1KS



With an extension bracket, the heater can be positioned lower than its mounting point.