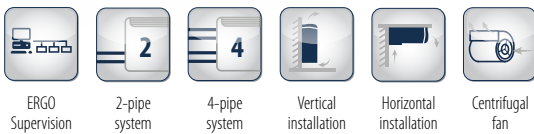


Fan coil units with centrifugal fan

ESTRO 1 - 11 kW



PLUS

- ✓ 3 or 6-speed motors
- ✓ ABS centrifugal fans
- ✓ Can be integrated into the ERGO
- ✓ Heat exchanger up to 4 rows
- ✓ Reversible water connections
- ✓ Steel/ABS cabinet
- ✓ Incorporable ioniser

The most complete range of fan coil units on the market featuring the Galletti technology, quality level and reliability.

The ESTRO series is undoubtedly the line of fan coil units with the most complete range of models and accessories that are able to meet the needs of professionals in the field.

The range consists of 20 models in 9 versions.

For the ESTRO project we selected top quality materials which, together with the great care and attention dedicated to the assembly of the main constructive components, make the ESTRO fan coil units highly reliable from a performance standpoint while minimising noise levels.

The conception underlying its construction makes it possible to combine models for vertical and horizontal installation: models for surface mounting on walls, floors/ceilings and recess mounting in walls/ceilings plus low body model for floor installation.

In its recess-mounted ductable version, ESTRO has a number of accessories that permit quick and economical installation with flexible ducts directly coupled with air diffusion grilles.

ESTRO can be combined with a range of on-board or wall-mounted control panels consisting of 20 options, depending on the level of comfort and adjustment required.

An innovative air ionization system ensures the sanitization of the indoor unit and the deodorization of the ambient air.





AVAILABLE VERSIONS



ESTRO FL

Version with cabinet, suitable for wall mounting.
Vertical air flow, filter on the air intake securely attached to the cabinet with quarter-turn screws.
ESTRO FL is available in 20 models.



ESTRO FA

Wall mounted with cabinet.
The inclined front air flow makes the ESTRO FA version especially suited for installation in recesses up to a depth of 150 mm.
ESTRO FA is available in 19 models.



ESTRO CL

Wall mounted with cabinet, vertical air flow.
Designed with a range of pastel shades, it combines well with traditional furnishings and all architectures in which the warm colours and elegant shapes make ESTRO CL a perfect interior design accessory.
Steel sheet panel colour: RAL 9001. ABS parts colour: PANTONE "warm gray 2 U"
ESTRO CL is available in 20 models.



ESTRO FU

Version with cabinet, suitable for floor and ceiling mounting.
The cabinet has air outlet grilles and air intake grilles with built-in filter.
ESTRO FU is available in 20 models.



ESTRO FP

Version with cabinet, suitable for ceiling mounting. The air intake is located behind the air outlet grilles. This version is especially suitable if combining with external air intake louvers.
ESTRO FP is available in 20 models.



ESTRO FB

Low-cabinet version, suitable for floor and ceiling mounting.
The cabinet has air outlet grilles and air intake grilles with built-in filter.
Rearranging the internal components has made it possible to reduce its height to just 438 mm.
ESTRO FB is available in 9 models.



ESTRO FC

Model for vertical and horizontal recess mounting, air intake in line with the outlet, thermally insulated galvanised sheet steel body.
Plenum and connectors complete the air intake and the air flow into the room.
ESTRO FC is available in 20 models.



ESTRO FF

Model for vertical and horizontal recess mounting, front air intake, thermally insulated galvanised sheet steel body.
The front air intake allows horizontal or floor recessed installation with direct intake from the false-ceiling.
ESTRO FF is available in 20 models.



ESTRO FBC

Low-cabinet version for vertical and horizontal recess mounting, front air intake with air filter, thermally insulated galvanised sheet steel body.
Rearranging the strategic components has made it possible to reduce its height to just 412 mm.
ESTRO FBC is available in 9 models.

MAIN COMPONENTS

Cabinet

Composed of a painted steel sheet panel, side panels, air outlet grille (swinging by 180°) and back suction grille built from ABS.

Round shapes and colours that can satisfy all interior decorating needs, in line with architectural requirements.



Structure

Built from galvanised steel sheet of extra thickness, heat and sound insulated by means of Class 1 self-extinguishing panels. FU, FB, FC, FF and FBC versions have a double drip tray for collecting condensate.

Heat exchanger

High efficiency heat exchanger made with copper piping and aluminium fins, provided with brass manifolds and vent valve. The water connections are reversible at the time of installation. On request it is possible to mount an additional heat exchanger for 4-pipe systems.

Electric motor

It is mounted on vibration dampers, with permanently activated capacitor and thermal protection of the windings, and is directly coupled with the fans. It is available as either a 3- or 6-speed version in order to meet all the specific needs of performance, quietness, and power consumption.

Fans

Double suction centrifugal fans, statically and dynamically balanced, manufactured from anti-static ABS, with blades having an airfoil section and offset modules. The fans are housed in a low-noise ABS volute with high-efficiency profile.



Air filter

Honey-comb polypropylene washable air filter, easily removable for maintenance operations. On FU and FB versions the air filters are fitted onto the air inlet grille.

ACCESSORIES

Electromechanical control panels

CB	On-board speed switch
TB	On-board speed switch and thermostat
TIB	On-board speed switch, thermostat and summer/winter selecting switch
TC	Thermostat for minimum water temperature in the heating mode (42°C) for controllers
CD	Recess wall-mounted speed selector
CDE	Wall-mounted speed selector
TD	Wall-mounted speed selector, thermostat and summer/winter selecting switch
TDC	Wall-mounted speed selector and thermostat
TD4T	Wall-mounted speed selector, thermostat and summer/winter selecting switch, for controlling fan and valves
TA	Wall-mounted room thermostat
TA2	Room thermostat with summer/winter selecting switch, wall mounting

Wall-mounted microprocessor electronic control panels

MCBE	MYCOMFORT BASE electronic controller with display
MCME	MYCOMFORT MEDIUM electronic controller with display
MCLE	MYCOMFORT LARGE electronic controller with display
KBE	MYCOMFORT on-board installation kit
DIST	MYCOMFORT controller spacer for wall mounting
MCSWE	Water sensor for EVO, MYCOMFORT and LED503 controller
MCSUE	Humidity sensor for EVO, MYCOMFORT MEDIUM and LARGE controller
EVODISP	EVO CLOCK Remote display
EVOBOARD	EVO 230V circuit board
LED503	LED503 Recess wall-mounted electronic controller with display
KL	LED503 on-board installation KIT for ESTRO





ACCESSORIES

Power interface and regulating louver controllers		Plenum and connectors	
KP	Power interface for connecting in parallel up to 4 fan coils to one controller	RM90	Angular outlet connector
CSB	On-board controller for opening and closing the motor-driven regulating louver	RM90C	Angular outlet insulated connector
CSD	Recess mounted controller for opening and closing the SM motor-driven regulating louver	RMD	Straight outlet connector
Additional heat exchanger for 4-pipe systems		RMCD	Straight outlet insulated connector
DF	1-row additional heat exchanger for 4-pipe systems (not suitable for "M" models)	RA90	Angular inlet connector
Auxiliary water drip trays, insulating shell, condensate drainage pump		RAD	Straight inlet connector
BV	Auxiliary water drip tray for vertical installation fan coil units	RMCD C	Air outlet plenum with circular collars
BH	Auxiliary water drip tray for horizontal installation fan coil units	RAD C	Air inlet plenum with circular collars
GIVKR	Insulating shell for VK1S valve, water connections on the right	External air intake louvers	
GIVKL	Insulating shell for VK1S valve, water connections on the left	S	Manual external air intake louver
KSC	Condensate drain kit	SM	Motor-driven louver, with motor on the right with transformer Motor driven louver, with motor on the left, with transformer
Support and covering elements		SMC	Motor driven louver, with motor on the right, for centralised control Motor driven louver, with motor on the left, for centralised control
ZL	Pair of support covering elements for Estro FL	Valves	
ZLG	Pair of support covering elements with front grille for Estro FL		3-way valve, 230V actuator, hydraulic kit for standard heat exchanger
ZA	Pair of support covering elements for Estro FA	VK	3-way valve, 230V actuator, hydraulic kit for DF heat exchanger 3-way valve, 24V actuator, hydraulic kit for standard heat exchanger 3-way valve, 24V actuator, hydraulic kit for DF heat exchanger
ZAG	Pair of support covering elements with front grille for Estro FA		3-way valve, modulating actuator, hydraulic kit for standard heat exchanger
ZC	Pair of support covering elements for Estro CL	VKM	3-way valve, modulating actuator, hydraulic kit for DF heat exchanger
ZCG	Pair of support covering elements with front grille for Estro CL		3-way valve, 230V actuator, hydraulic kit on heat exchanger side for standard heat exchanger
D	Supports for Estro FC	VK	3-way valve, 230V actuator, hydraulic kit on heat exchanger side for DF heat exchanger 3-way valve, 24V actuator, hydraulic kit on heat exchanger side for standard heat exchanger 3-way valve, 24V actuator, hydraulic kit on heat exchanger side for DF heat exchanger
Rear covering panels		VKM	3-way valve, modulating actuator, hydraulic kit on heat exchanger side for standard heat exchanger 3-way valve, modulating actuator, hydraulic kit on heat exchanger side for DF heat exchanger
PV	Painted rear panel for vertical installation models with cabinet		2-way valve, 230V actuator, hydraulic kit on water connection side for standard heat exchanger
PH	Painted rear panel for horizontal installation models with cabinet	KV	2-way valve, 230V actuators, hydraulic kit on water connection side for standard and DF heat exchanger 2-way valve, 24V actuator, hydraulic kit on water connection side for standard heat exchanger 2-way valve, 24V actuator, hydraulic kit on water connection side for standard and DF heat exchanger
Electrical heating elements		KVM	2-way valve, modulating actuator, hydraulic kit on water connection side for standard heat exchanger 2-way valve, modulating actuators, hydraulic kit on water connection side for standard and DF heat exchanger
RE	Heating element with installation kit, relay box and safety devices		
Grilles			
GE+C	Aluminium external air intake grille, with subframe		
GEF+C	Aluminium external air intake grille, with subframe and air filter		
GM+C	Aluminium air outlet grille with 2-row fins and subframe		
RGC	Plenum with circular collars for air outlet grille		
Grilles			
GE+C	Aluminium external air intake grille, with subframe		
GEF+C	Aluminium external air intake grille, with subframe and air filter		
GM+C	Aluminium air outlet grille with 2-row fins and subframe		
RGC	Plenum with circular collars for air outlet grille		

Rated technical data

ESTRO		1			2			3			4		
Fan speed		min	med	max	min	med	max	min	med	max	min	med	max
Total cooling capacity (1) (E)	kW	0,77	0,92	1,15	1,04	1,24	1,54	1,26	1,52	1,74	1,36	1,70	1,96
Sensible cooling capacity (1) (E)	kW	0,59	0,70	0,87	0,79	0,97	1,20	0,95	1,14	1,30	1,00	1,24	1,42
Water flow(1)	l/h	132	158	197	179	213	264	216	261	299	234	292	337
Water pressure drop (1) (E)	kPa	4	5	7	7	9	13	8	11	14	6	9	12
Heating capacity (2) (E)	kW	1,11	1,30	1,55	1,43	1,73	2,14	1,71	2,04	2,20	1,78	2,16	2,55
Water pressure drop (2) (E)	kPa	3	4	6	6	8	11	7	9	12	5	8	10
Heating capacity (3)	kW	1,94	2,27	2,68	2,47	2,99	3,71	2,93	3,50	3,74	3,04	3,67	4,35
Water flow (3)	l/h	171	199	235	216	263	325	257	307	329	267	322	382
Water pressure drop (3)	kPa	4	6	8	7	10	15	8	11	13	6	8	11
Air flow	m³/h	149	189	231	178	233	319	211	271	344	211	271	344
Power input (E)	W	18	21	32	21	28	37	25	36	53	24	36	53
Sound power level (4) (E)	dB/A	30	32	40	37	42	47	38	44	49	40	44	50
Additional coil heating capacity DF (3) (E)	kW	1,35	1,50	1,70	1,50	1,70	1,90	1,56	1,78	2,02	1,56	1,78	2,01
Water flow (3)	l/h	118	132	149	132	149	167	137	156	177	137	156	176
Water pressure drop (3) (E)	kPa	3	4	4	4	5	6	5	7	8	5	6	7

ESTRO		4M			5			6			6M		
Fan speed		min	med	max	min	med	max	min	med	max	min	med	max
Total cooling capacity (1) (E)	kW	1,50	1,85	2,24	1,60	2,03	2,42	1,76	2,38	2,93	1,93	2,64	3,30
Sensible cooling capacity (1) (E)	kW	1,06	1,32	1,60	1,18	1,57	1,88	1,26	1,70	2,11	1,33	1,83	2,30
Water flow(1)	l/h	258	317	384	275	348	415	302	408	503	331	452	565
Water pressure drop (1) (E)	kPa	10	14	20	8	12	16	5	8	11	7	12	17
Heating capacity (2) (E)	kW	1,83	2,26	2,74	2,07	2,68	3,20	2,09	2,83	3,50	2,33	3,21	4,04
Water pressure drop (2) (E)	kPa	8	11	16	6	10	13	4	6	9	6	10	14
Heating capacity (3)	kW	3,08	3,80	4,62	3,52	4,57	5,47	3,52	4,76	5,89	3,91	5,39	6,79
Water flow (3)	l/h	270	333	405	308	401	480	308	417	517	343	473	595
Water pressure drop (3)	kPa	8	12	16	7	12	16	4	6	9	6	10	14
Air flow	m³/h	211	271	344	241	341	442	241	341	442	241	341	442
Power input (E)	W	24	36	53	29	44	57	29	43	56	29	43	56
Sound power level (4) (E)	dB/A	41	45	51	35	43	48	36	42	48	35	43	49
Additional coil heating capacity DF (3) (E)	kW	not available			2,06	2,53	2,92	2,18	2,68	3,08	not available		
Water flow (3)	l/h	not available			181	222	257	191	235	270	not available		
Water pressure drop (3) (E)	kPa	not available			2	3	4	3	4	5	not available		

ESTRO		7			7M			8			8M		
Fan speed		min	med	max	min	med	max	min	med	max	min	med	max
Total cooling capacity (1) (E)	kW	1,98	2,63	3,51	2,49	3,39	4,58	2,51	3,27	4,33	2,78	3,70	4,96
Sensible cooling capacity (1) (E)	kW	1,45	2,04	2,75	1,73	2,37	3,22	1,80	2,45	3,15	1,94	2,59	3,50
Water flow(1)	l/h	340	451	602	426	582	785	431	561	743	477	635	850
Water pressure drop (1) (E)	kPa	4	7	12	6	11	18	5	8	12	7	12	20
Heating capacity (2) (E)	kW	2,81	3,69	4,78	3,01	4,08	5,49	2,98	3,90	5,10	3,36	4,45	5,95
Water pressure drop (2) (E)	kPa	4	6	10	5	9	14	4	6	10	6	10	17
Heating capacity (3)	kW	4,83	6,34	8,21	5,06	6,84	9,22	5,03	6,57	8,57	5,64	7,46	9,98
Water flow (3)	l/h	424	556	720	444	601	808	442	576	752	495	654	876
Water pressure drop (3)	kPa	5	8	13	5	8	14	4	6	10	6	10	16
Air flow	m³/h	320	450	640	320	450	640	361	497	706	361	497	706
Power input (E)	W	40	50	65	36	61	98	40	50	90	38	61	98
Sound power level (4) (E)	dB/A	35	43	52	36	44	53	35	43	53	36	44	54
Additional coil heating capacity DF (3) (E)	kW	3,21	3,96	4,80	not available			3,11	3,67	4,36	not available		
Water flow (3)	l/h	282	347	421	not available			273	322	382	not available		
Water pressure drop (3) (E)	kPa	10	14	20	not available			11	14	19	not available		



Rated technical data

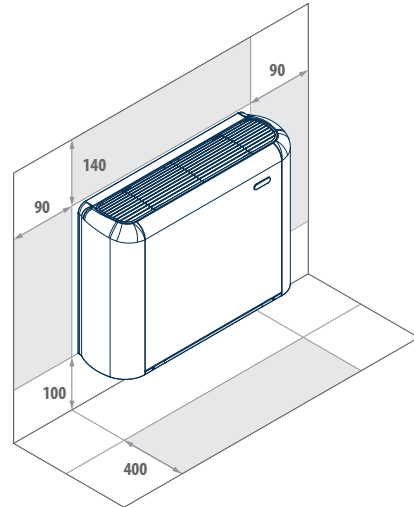
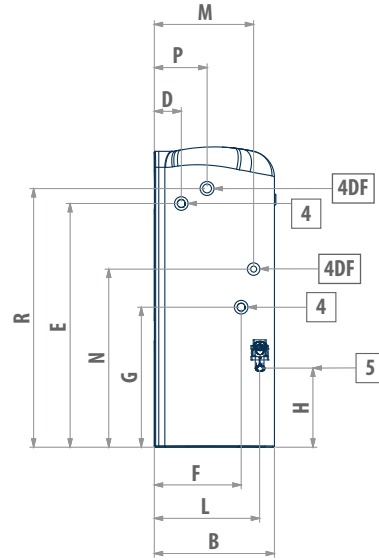
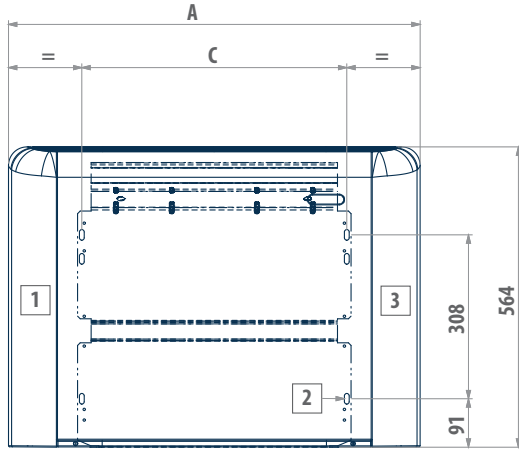
ESTRO		9			9M			95			10		
Fan speed		min	med	max	min	med	max	min	med	max	min	med	max
Total cooling capacity (1) (E)	kW	3,00	3,66	4,51	3,52	4,37	5,40	3,42	4,19	5,26	3,97	5,27	6,71
Sensible cooling capacity (1) (E)	kW	2,23	2,82	3,53	2,47	3,07	3,82	2,34	3,00	3,82	2,84	3,83	4,91
Water flow(1)	l/h	515	628	774	605	750	927	587	719	902	682	905	1152
Water pressure drop (1) (E)	kPa	7	10	14	11	16	24	9	13	19	5	8	12
Heating capacity (2) (E)	kW	3,93	4,84	5,91	4,24	5,24	6,47	4,22	5,18	6,57	4,77	6,23	7,83
Water pressure drop (2) (E)	kPa	6	8	12	9	13	19	7	10	16	4	6	10
Heating capacity (3)	kW	6,69	8,25	10,1	7,11	8,79	10,9	7,10	8,72	11,1	8,06	10,5	13,1
Water flow (3)	l/h	588	724	884	623	772	953	623	765	973	707	918	1152
Water pressure drop (3)	kPa	7	10	14	9	13	19	8	11	17	4	6	9
Air flow	m ³ /h	470	605	785	470	605	785	488	615	814	570	771	1011
Power input (E)	W	50	65	90	47	68	98	52	73	107	86	127	182
Sound power level (4) (E)	dB/A	43	49	56	44	50	57	44	51	58	47	54	61
Additional coil heating capacity DF (3) (E)	kW	4,04	4,65	5,30	not available			4,21	4,78	5,51	5,69	6,83	7,91
Water flow (3)	l/h	355	408	465	not available			369	419	483	499	600	694
Water pressure drop (3) (E)	kPa	6	8	10	not available			9	11	14	17	23	30

ESTRO		10M			11			11M			12		
Fan speed		min	med	max	min	med	max	min	med	max	min	med	max
Total cooling capacity (1) (E)	kW	4,41	5,82	7,38	4,11	6,24	8,02	4,66	6,98	8,98	6,97	8,77	10,95
Sensible cooling capacity (1) (E)	kW	3,07	4,06	5,17	3,05	4,63	5,96	3,29	4,94	6,39	5,12	6,46	8,07
Water flow(1)	l/h	756	999	1267	706	1071	1376	800	1198	1541	1196	1505	1878
Water pressure drop (1) (E)	kPa	8	14	21	6	13	20	9	19	29	14	22	32
Heating capacity (2) (E)	kW	5,15	6,70	8,40	5,24	7,80	10,0	5,70	8,43	10,8	8,90	11,1	14,5
Water pressure drop (2) (E)	kPa	7	11	17	5	11	16	8	15	24	12	18	26
Heating capacity (3)	kW	8,63	11,2	14,0	8,91	13,2	16,9	9,57	14,2	18,2	15,0	18,8	24,7
Water flow (3)	l/h	757	983	1232	782	1158	1486	840	1242	1593	1317	1645	2164
Water pressure drop (3)	kPa	6	10	15	6	11	17	8	15	24	13	19	31
Air flow	m ³ /h	570	771	1011	642	1022	1393	642	1022	1393	1010	1317	1850
Power input (E)	W	86	127	182	109	169	244	109	169	244	210	240	310
Sound power level (4) (E)	dB/A	48	55	62	49	60	67	50	61	68	60	64	71
Additional coil heating capacity DF (3) (E)	kW	not available			5,50	7,14	8,35	not available			7,85	9,08	10,8
Water flow (3)	l/h	not available			483	627	733	not available			689	797	948
Water pressure drop (3) (E)	kPa	not available			14	23	30	not available			26	33	45

(1) Water temperature 7 / 12°C, air temperature D.B. 27°C, W.B. 19°C (47% relative humidity)
 (2) Inlet water temperature 50°C, water flow rate same as in cooling mode, air temperature 20°C
 (3) Water temperature 70 / 60°C, air temperature 20°C
 (4) Sound power measured according to standards ISO 3741 and ISO 3742
 (E) EUROVENT certified data
 Power supply 230-1-50 (V-ph-Hz)

Dimensional drawings

ESTRO FL - CL



LEGEND

1	Usable space for plumbing connections
2	Slots for installation on the wall
3	Usable space for electrical connections
4	Standard heat exchanger water connections
4DF	DF 1-row DF additional heat exchanger water connections
5	Condensate drainage

ESTRO FL	ESTRO CL	A	B	C	D	E	F	G	H	L	M	N	P	R	4	4DF	5
1-4M	1-4M	774	226	498	51	458	163	263	149	198	187	335	99	486	1/2"	1/2"	16
5-6M	5-6M	984	226	708	51	458	163	263	149	198	187	335	99	486	1/2"	1/2"	16
7-9M	7-9M	1194	226	918	51	458	163	263	149	198	187	335	99	486	1/2"	1/2"	16
95	ND	1194	251	918	48	497	185	259	155	220	195	348	120	478	3/4"	1/2"	16
10-11M	ND	1404	251	1128	48	497	185	259	155	220	195	348	120	478	3/4"	1/2"	16
12	ND	1614	251	1338	48	497	185	259	155	220	195	348	120	478	3/4"	1/2"	16



Dimensional drawings

ESTRO FA

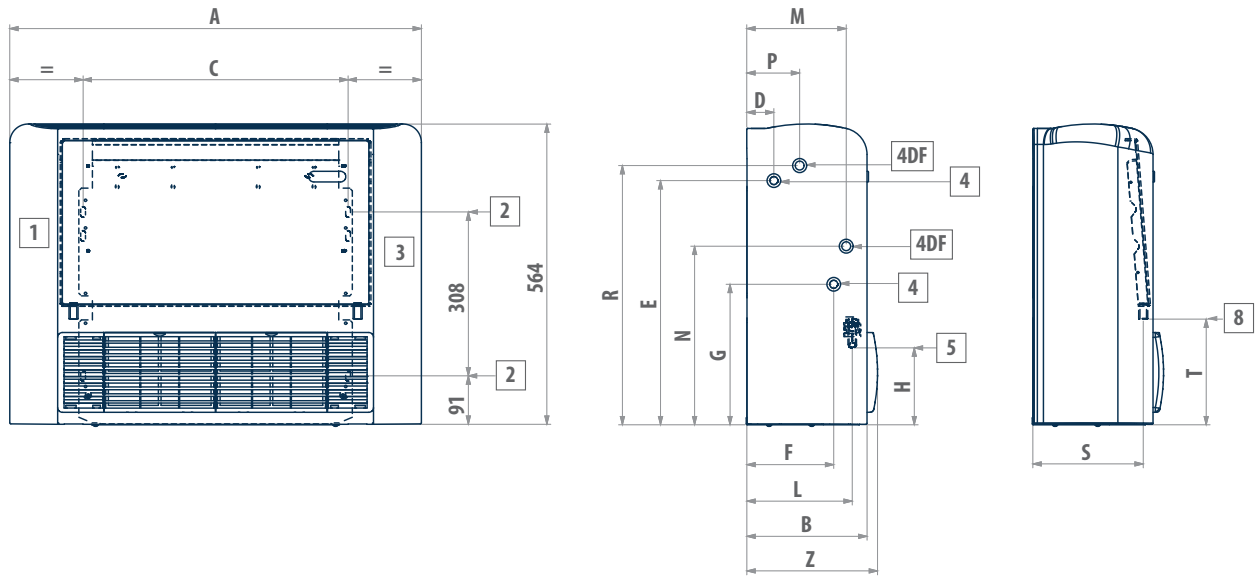
LEGEND

1	Usable space for plumbing connections
2	Slots for installation on the wall
3	Usable space for electrical connections
4	Standard heat exchanger water connections
4DF	DF 1-row DF additional heat exchanger water connections
5	Condensate drainage

ESTRO FA	A	B	C	D	E	F	G	H	K	L	M	N	P	R	4	4DF	5
1 - 4M	774	228	498	53	458	166	263	149	145	198	187	335	99	486	1/2"	1/2"	16
5 - 6M	984	228	708	53	458	166	263	149	145	198	187	335	99	486	1/2"	1/2"	16
7 - 9M	1194	228	918	53	458	166	263	149	145	198	187	335	99	486	1/2"	1/2"	16
10 - 11M	1404	253	1128	50	497	188	259	155	170	220	195	348	120	478	3/4"	1/2"	16
12	1614	253	1338	50	497	188	259	155	170	220	195	348	120	478	3/4"	1/2"	16

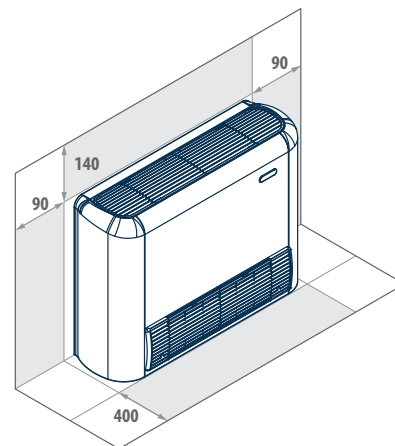
Dimensional drawings

ESTRO FU



LEGEND

1	Usable space for plumbing connections
2	Slots for installation on the wall
3	Usable space for electrical connections
4	Standard heat exchanger water connections
4DF	DF 1-row DF additional heat exchanger water connections
5	Drain outlet for vertical installation
8	Drain outlet for horizontal installation

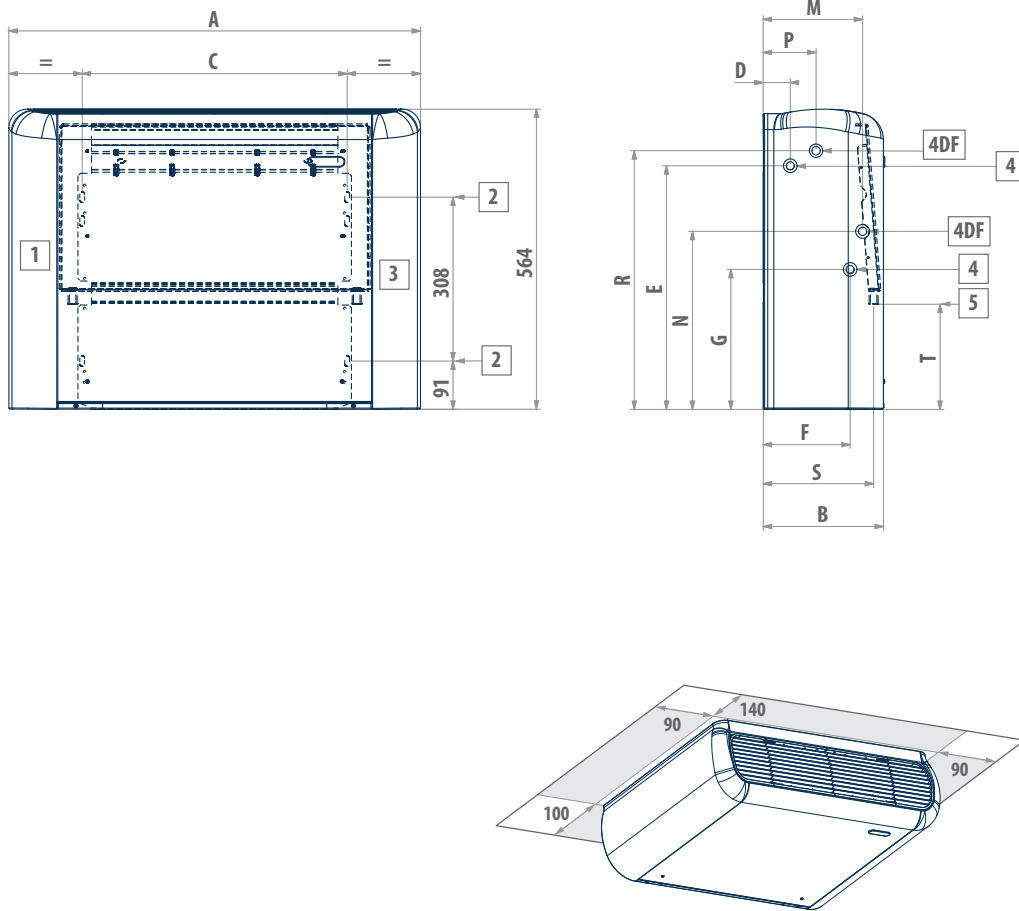


ESTRO FU	A	B	C	D	E	F	G	H	L	M	N	P	R	S	T	Z	4	4DF	5
1 - 4M	774	226	498	51	458	163	263	149	198	187	335	99	486	208	198	246	1/2"	1/2"	16
5 - 6M	984	226	708	51	458	163	263	149	198	187	335	99	486	208	198	246	1/2"	1/2"	16
7 - 9M	1194	226	918	51	458	163	263	149	198	187	335	99	486	208	198	246	1/2"	1/2"	16
95	1194	251	918	48	497	185	259	155	220	195	348	120	478	234	208	271	3/4"	1/2"	16
10 - 11M	1404	251	1128	48	497	185	259	155	220	195	348	120	478	234	208	271	3/4"	1/2"	16
12	1614	251	1338	48	497	185	259	155	220	195	348	120	478	234	208	271	3/4"	1/2"	16



Dimensional drawings

ESTRO FP



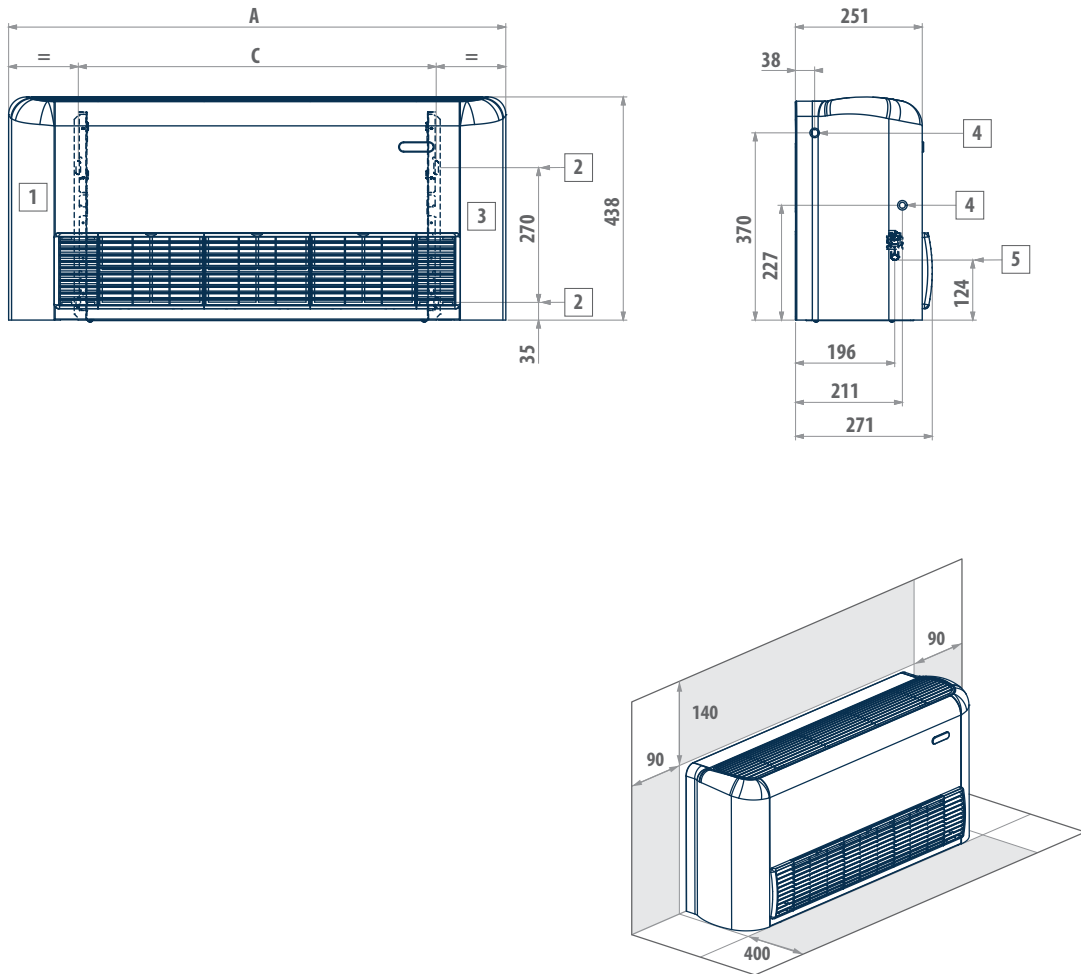
LEGEND

1	Usable space for plumbing connections
2	Slots for installation on the wall
3	Usable space for electrical connections
4	Standard heat exchanger water connections
4DF	DF 1-row DF additional heat exchanger water connections
5	Condensate drainage

ESTRO FP	A	B	C	D	E	F	G	M	N	P	R	S	T	4	4DF	5
1 - 4M	774	226	498	51	458	163	263	187	335	99	486	208	198	1/2"	1/2"	16
5 - 6M	984	226	708	51	458	163	263	187	335	99	486	208	198	1/2"	1/2"	16
7 - 9M	1194	226	918	51	458	163	263	187	335	99	486	208	198	1/2"	1/2"	16
9S	1194	251	918	48	497	185	259	195	348	120	478	234	208	3/4"	1/2"	16
10 - 11M	1404	251	1128	48	497	185	259	195	348	120	478	234	208	3/4"	1/2"	16
12	1614	251	1338	48	497	185	259	195	348	120	478	234	208	3/4"	1/2"	16

Dimensional drawings

ESTRO FB



LEGEND

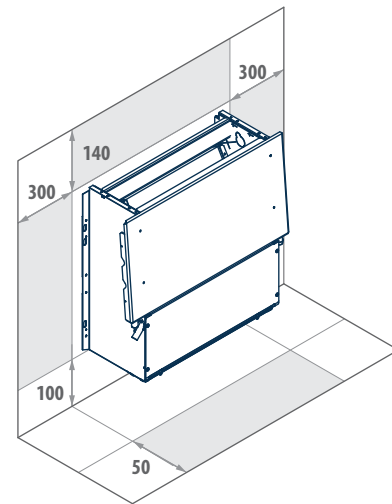
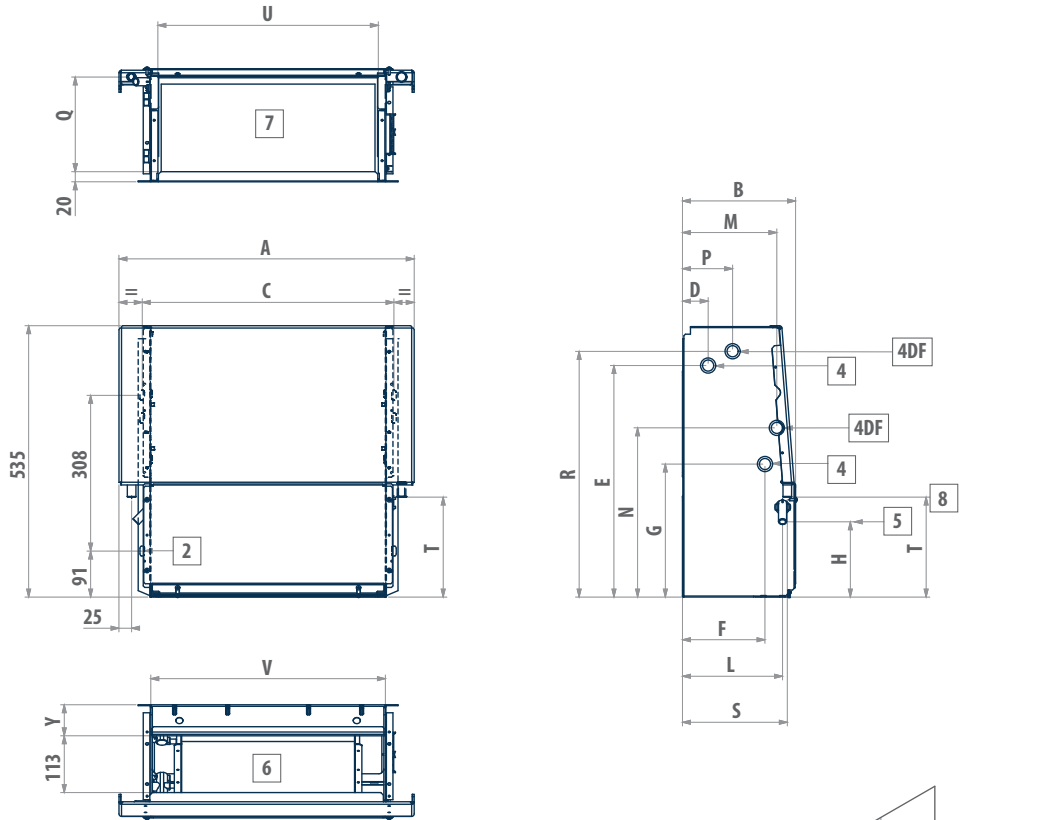
1	Usable space for plumbing connections
2	Slots for installation on the wall
3	Usable space for electrical connections
4	Standard heat exchanger water connections
5	Condensate drainage

ESTRO FB	A	C	4	5
1 - 4M	774	498	1/2"	16
5 - 6M	984	708	1/2"	16
7 - 9M	1194	918	1/2"	16



Dimensional drawings

ESTRO FC



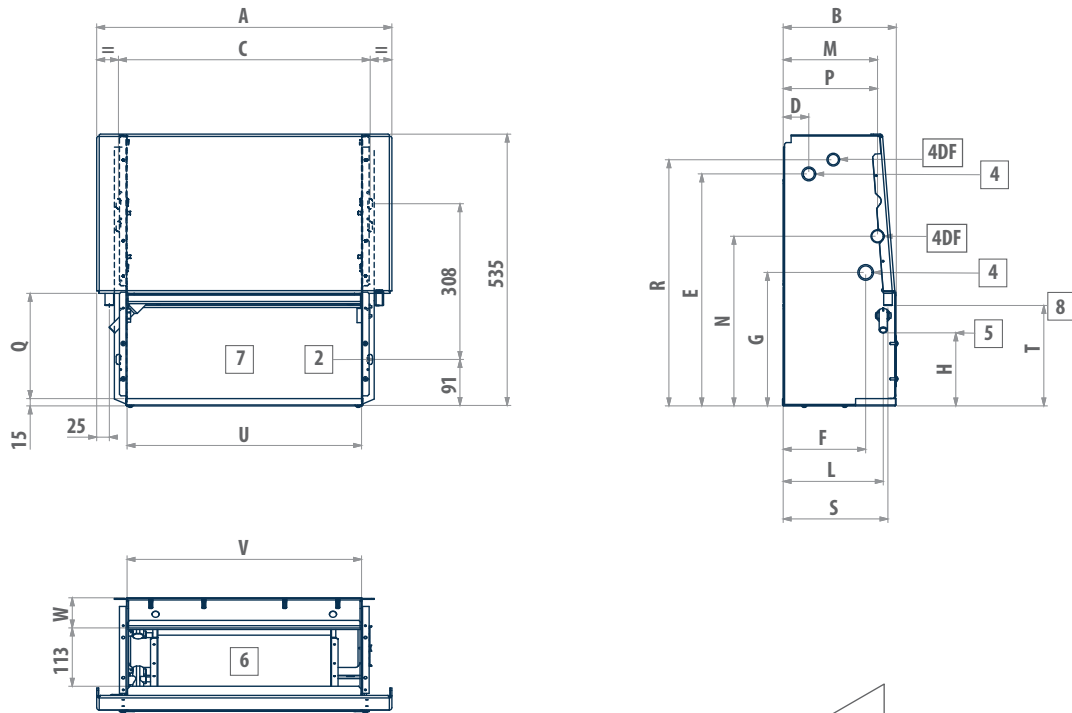
LEGEND

2	Slots for installation on the wall
4	Standard heat exchanger water connections
4DF	DF 1-row DF additional heat exchanger water connections
5	Drain outlet for vertical installation
6	Air outlet
7	Air intake
8	Drain outlet for horizontal installation

ESTRO FC	A	B	C	D	E	F	G	H	L	M	N	P	Q	R	S	T	U	V	Y	4	4DF	5
1-4M	584	224	498	51	458	163	263	149	198	187	335	99	189	486	208	198	436	464	61	1/2"	1/2"	16
5-6M	794	224	708	51	458	163	263	149	198	187	335	99	189	486	208	198	646	674	61	1/2"	1/2"	16
7-9M	1004	224	918	51	458	163	263	149	198	187	335	99	189	486	208	198	856	884	61	1/2"	1/2"	16
95	1004	249	918	48	497	185	259	155	220	195	348	120	215	478	234	208	856	884	67	3/4"	1/2"	16
10-11M	1214	249	1128	48	497	185	259	155	220	195	348	120	215	478	234	208	1066	1094	67	3/4"	1/2"	16
12	1424	249	1338	48	497	185	259	155	220	195	348	120	215	478	234	208	1276	1304	67	3/4"	1/2"	16

Dimensional drawings

ESTRO FF



LEGEND

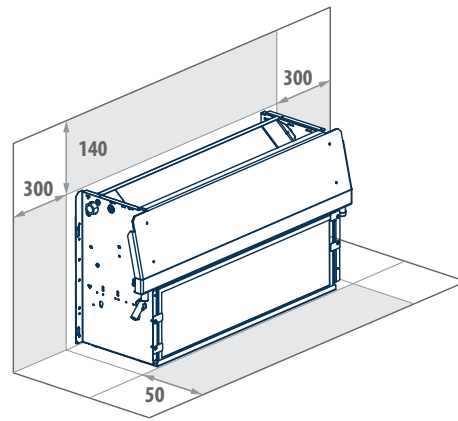
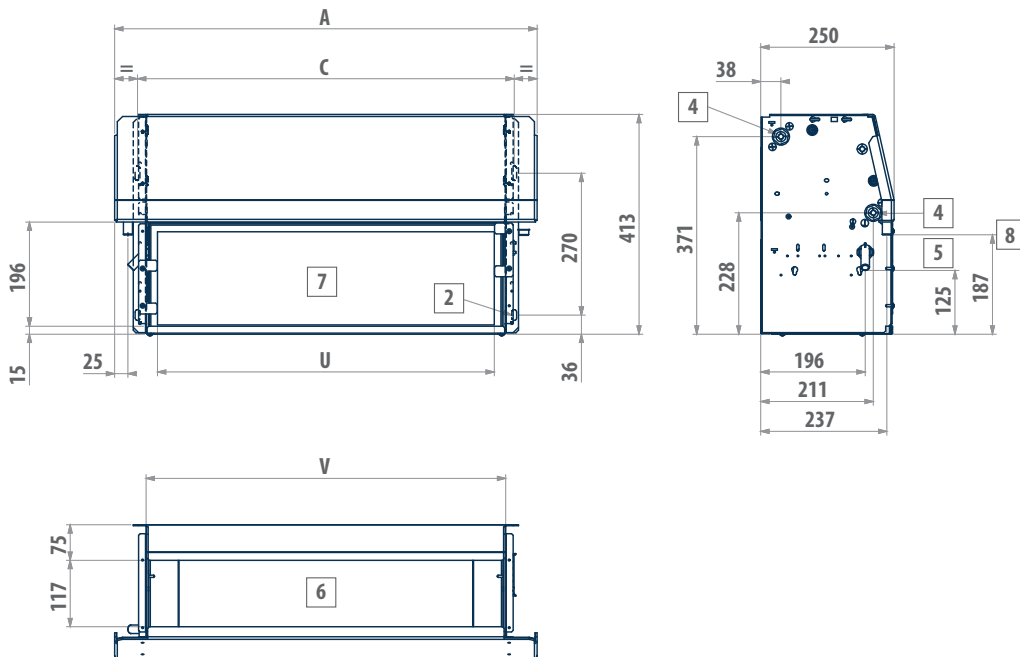
2	Slots for installation on the wall
4	Standard heat exchanger water connections
4DF	DF 1-row DF additional heat exchanger water connections
5	Drain outlet for vertical installation
6	Air outlet
7	Air intake
8	Drain outlet for horizontal installation

ESTRO FF	A	B	C	D	E	F	G	H	L	M	N	P	Q	R	S	T	U	V	W	4	4DF	5
1-4M	584	224	498	51	458	163	263	149	198	187	335	99	189	486	208	198	436	464	61	1/2"	1/2"	16
5-6M	794	224	708	51	458	163	263	149	198	187	335	99	189	486	208	198	646	674	61	1/2"	1/2"	16
7-9M	1004	224	918	51	458	163	263	149	198	187	335	99	189	486	208	198	856	884	61	1/2"	1/2"	16
95	1004	249	918	48	497	185	259	155	220	195	348	120	215	478	234	208	856	884	67	3/4"	1/2"	16
10-11M	1214	249	1128	48	497	185	259	155	220	195	348	120	215	478	234	208	1066	1094	67	3/4"	1/2"	16
12	1424	249	1338	48	497	185	259	155	220	195	348	120	215	478	234	208	1276	1304	67	3/4"	1/2"	16



Dimensional drawings

ESTRO FBC



LEGEND

2	Slots for installation on the wall
4	Standard heat exchanger water connections
5	Drain outlet for vertical installation
6	Air outlet
7	Air intake
8	Drain outlet for horizontal installation

ESTRO FBC	A	C	U	V	4	5
1 - 4M	584	498	423	464	1/2"	16
5 - 6M	794	708	633	674	1/2"	16
7 - 9M	1004	918	843	884	1/2"	16