

ARUMAK



COUNTER FLOW HEAT RECOVERY UNIT

MANUFACTURING FEATURES

Medium-high efficiency heat recovery unit (Eff.79%) with AC motor for optimized management. Counter flow heat exchanger, Eurovent certified. Set in insulated steel boxes with sandwich polyurethane foam panels. With total bypass and regulation control CTRL-DPH (see options in control panel in documentation). Configuration options: without heating, with electric or water coil (cold or hot) integrated in the unit. With F7/F7 o F7+F9/F7 filters. Versions for vertical and horizontal exterior installation.

CHASSIS:

- Modular structure made of extruded aluminium profiles and double skin Aluzinc.
- Made up of sandwich panels with injected polyurethane foam insulation, thickness 25mm and density 42Kg/m3

HEAT EXCHANGER:

- Aluminium Counter flow heat exchanger with 79% efficiency.
- Eurovent certified

FANS:

- Centrifugal fans with direct motor coupled with double suction according to ErP 2018.

FILTERS:

- F7/F7 o F7+F9/F7 filters

CONTROL:

- CTRL-DPH: manual speed, manages post-heating of the air with electric or water coils, automatically bypass. Regulation temperature, fault detection, time programming.

APPLICATIONS

- Shopping centers, small shops, banks, hospitality, schools, office buildings, public buildings.

UNDER REQUEST

- Without control
- Cold water coil
- Manual bypass.
- F9/F7 filters.
- CTRL-MAX2 with Modbus RTU protocol.

CONFIGURATIONS

- Other special configurations under request.

Accessories



CWC

DCO2

FILTRO
S
RECUPE
RADOR
ES

GEC



HWC

SCO2

TEJ
ARUMAK

VISC

Technical data

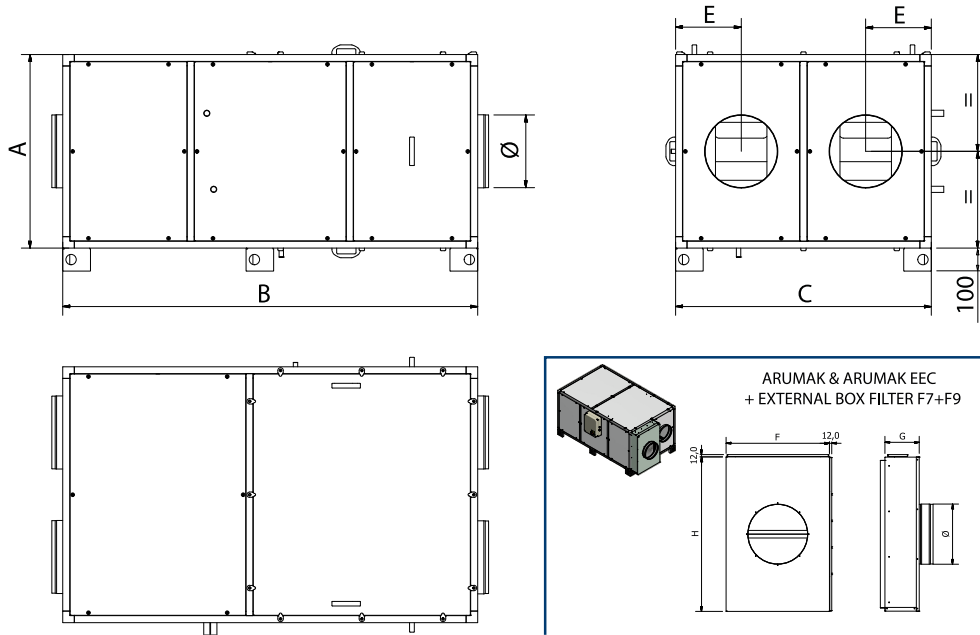
Single-phase motor

Code	Model	R.P.M.	Rated I. (A) 230V	Rated power kW	Max. Airflow m ³ /h	Sound db (A)**	Weight	Connect. diagram
-	ARUMAK 430 H	-	2x0,66	2x0.15	430	34	99	1
-	ARUMAK 430 V	-	2x0,66	2x0.15	430	34	99	1
-	ARUMAK 800 H	-	2x1,28	2x0.29	800	45	115	1
-	ARUMAK 800 V	-	2x1,28	2x0.29	800	45	115	1
-	ARUMAK 2100 H	-	2x2,75	2x0.373	2.100	53	276	1
-	ARUMAK 2100 V	-	2x2,75	2x0.373	2.100	53	276	1
-	ARUMAK 2600 H	-	2x3,91	2x0.55	2.600	52	363	2
-	ARUMAK 2600 V	-	2x3,91	2x0.55	2.600	52	363	2
-	ARUMAK 3700 H	-	2x7,8	2x0.75	3.700	59	379	2
-	ARUMAK 3700 V	-	2x7,8	2x0.75	3.700	59	379	2

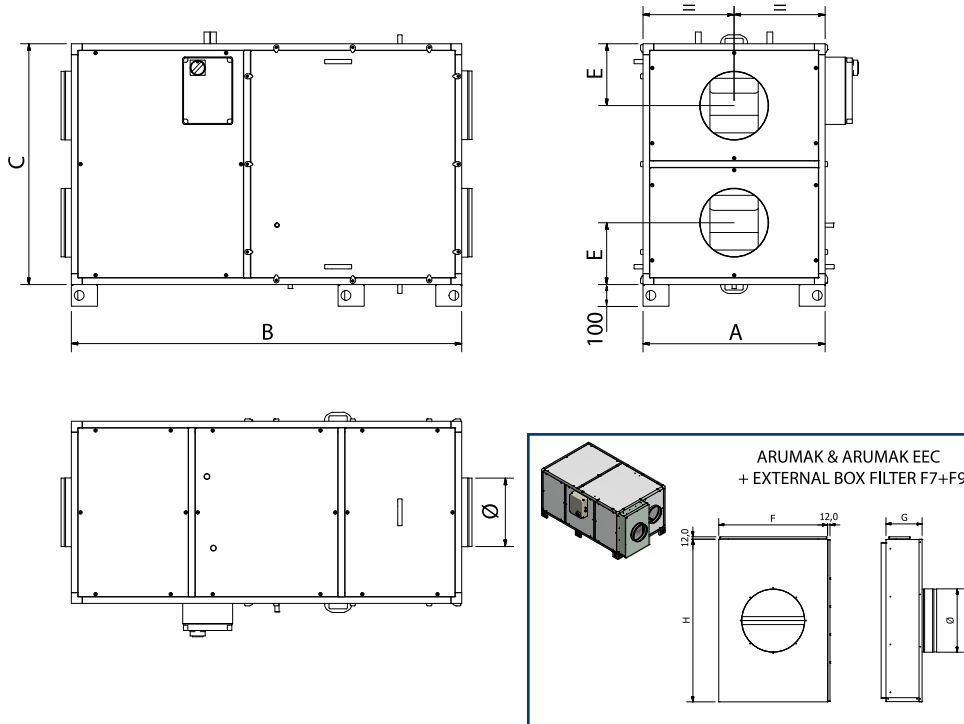
Notes:

** Total sound pressure level at the point of maximum flow measured in dB(A) in the suction measured in free field at a distance of 6m from the source

Dimensions



Model	A	B	C	E	F	G	H	Ø
ARUMAK 430 H	450	1420	900	232	405	160	390	200
ARUMAK 800 H	550	1420	900	232	405	160	490	250
ARUMAK 2100 H	840	1800	1100	385	545	180	815	315
ARUMAK 2600 H	1050	2180	1340	342	660	180	1025	400
ARUMAK 3700 H	1050	2180	1340	342	660	180	1025	400

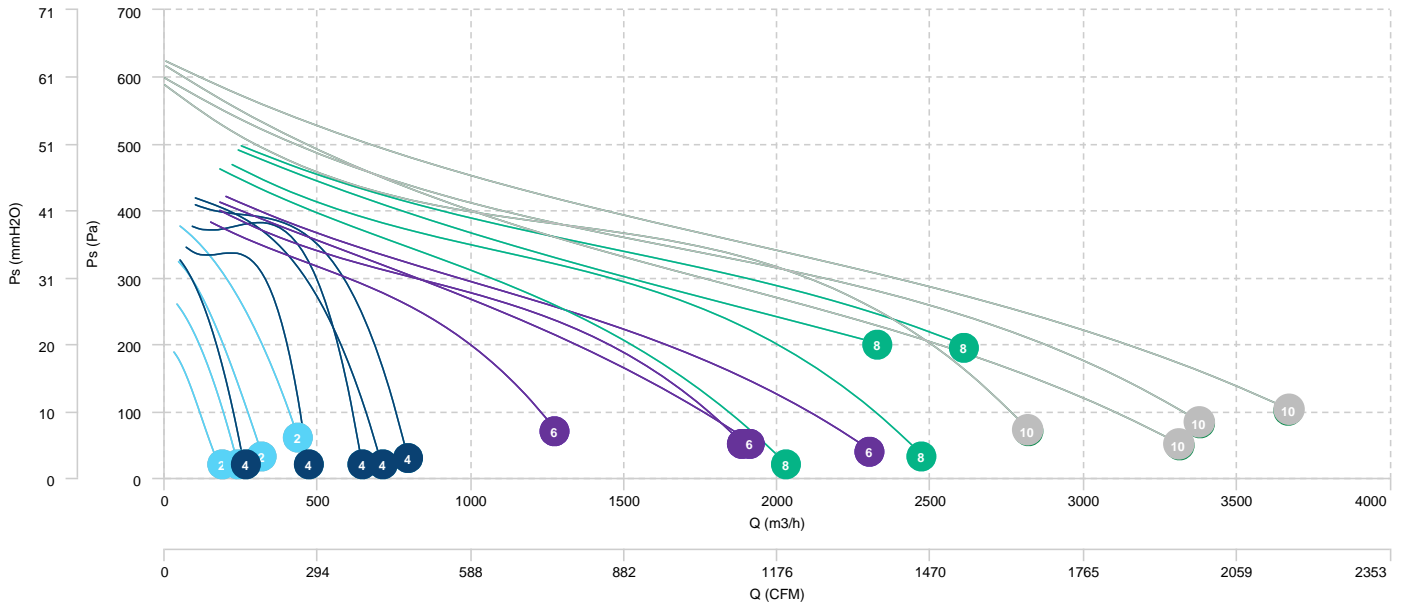


Model	A	B	C	E	F	G	H	Ø
ARUMAK 430 V	450	1420	900	232	405	160	390	200
ARUMAK 800 V	550	1420	900	232	405	160	490	250
ARUMAK 2100 V	840	1800	1100	285	545	180	815	315
ARUMAK 2600 V	1050	2180	1340	342	660	180	1025	400
ARUMAK 3700 V	1050	2180	1340	342	660	180	1025	400

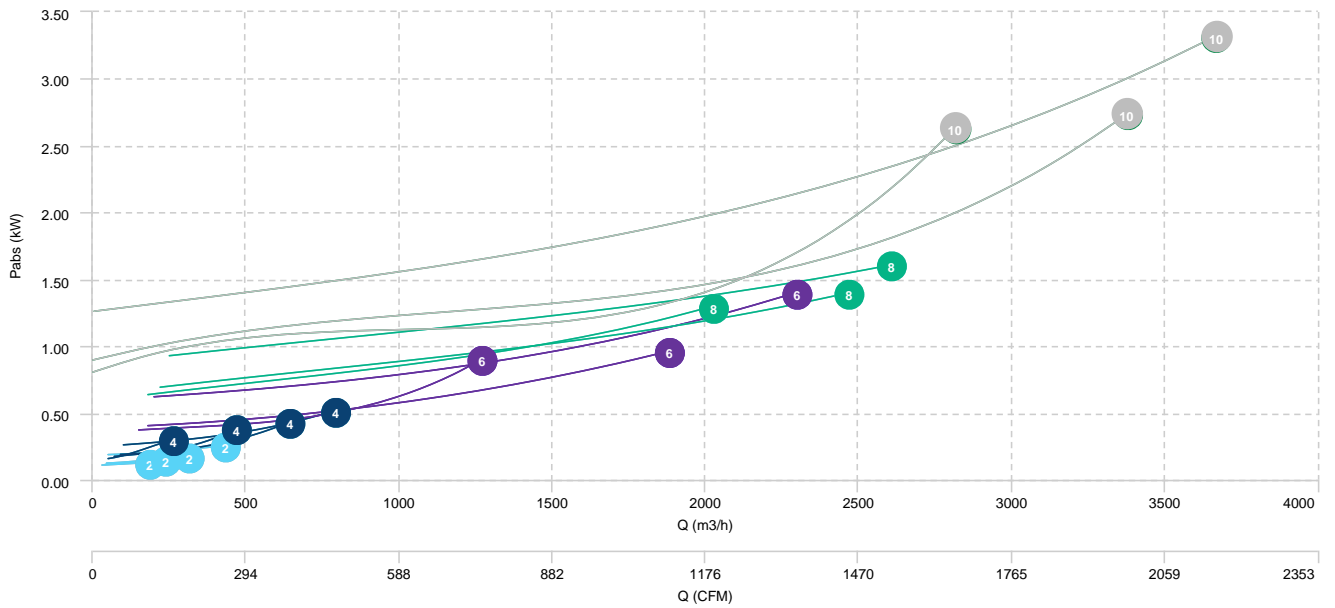
CHARACTERISTIC CURVE

1	ARUMAK 430 H	2	ARUMAK 430 V	3	ARUMAK 800 H	4	ARUMAK 800 V
5	ARUMAK 2100 H	6	ARUMAK 2100 V	7	ARUMAK 2600 H	8	ARUMAK 2600 V
9	ARUMAK 3700 H	10	ARUMAK 3700 V				

AIR FLOW - PRESSURE



AIR FLOW - ABSORBED POWER



Sound data

Sound power Lw dB (A)										
Model		63 Hz	125 Hz	250 Hz	500 Hz	1000 Hz	2000 Hz	4000 Hz	8000 Hz	Total
ARUMAK 430 H	Inlet	-	56	61	59	52	49	48	52	60
ARUMAK 430 V	Inlet	-	56	61	59	52	49	48	52	60
ARUMAK 800 H	Inlet	-	62	72	68	62	62	60	65	71
ARUMAK 800 V	Inlet	-	62	72	68	62	62	60	65	71
ARUMAK 2100 H	Inlet	-	73	77	72	76	68	65	69	79
ARUMAK 2100 V	Inlet	-	73	77	72	76	68	65	69	79
ARUMAK 2600 H	Inlet	-	74	79	74	74	69	67	70	78
ARUMAK 2600 V	Inlet	-	74	79	74	74	69	67	70	78
ARUMAK 3700 H	Inlet	-	78	80	79	80	76	75	79	85
ARUMAK 3700 V	Inlet	-	78	80	79	80	76	75	79	85

erp data
ERP

Fan type	Unit for non-residential ventilation (LOT 6)
Typology	Unidirectional
Others	Filter and heat recovery
Type of driver	None

Maximum efficiency point data

Model	Motor power (kW)	Eff.Heat recovery (%)	Max. efficiency (%)	Pabs (kW)	Air Flow (m3/h)	Ps (Pa)	Speed (m/s)	SFP (W/m3/s)
ARUMAK 430 H	2x0.15	78,90	44	0,25	396	100	3.5	1.099,00
ARUMAK 430 V	2x0.15	78,90	44	0,25	396	100	3.5	1.099,00
ARUMAK 800 H	2x0.29	76,80	64	0,47	720	150	4.07	986,00
ARUMAK 800 V	2x0.29	76,80	64	0,47	720	150	4.07	986,00
ARUMAK 2100 H	2x0.373	77	89	1,07	1.728	200	6.16	1.010,00
ARUMAK 2100 V	2x0.373	77	89	1,07	1.728	200	6.16	1.010,00
ARUMAK 2600 H	2x0.55	80,10	86,70	1,66	2.592	200	5.73	1.046,00
ARUMAK 2600 V	2x0.55	80,10	86,70	1,66	2.592	200	5.73	1.046,00
ARUMAK 3700 H	2x0.75	79,20	84,70	2,42	2.952	250	6.53	1.134,00
ARUMAK 3700 V	2x0.75	79,20	84,70	2,42	2.952	250	6.53	1.134,00