

FOIL CLAD STORAGE TANK HTP ERM



©iStockPhoto/Central IT Alliance



Head Office and Works: Austria Email AG

A-8720 Knittelfeld, Austriastraße 6
Tel. (03512) 700-0, Fax (03512) 700-239
Website: www.austria-email.at
E-mail: office@austria-email.at

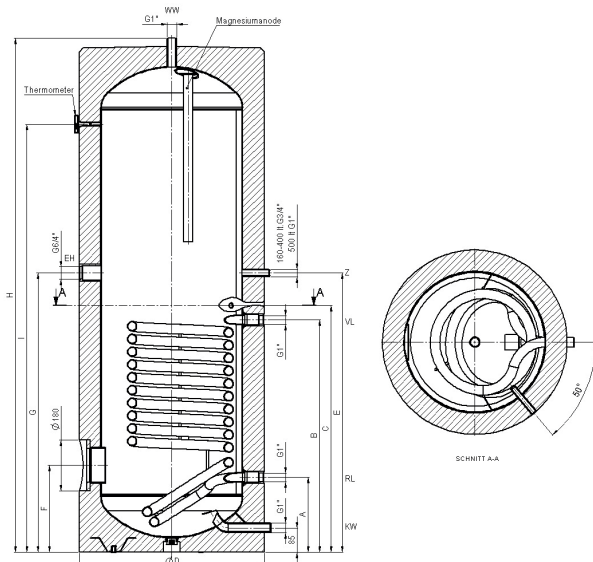
Factory Customer Service Department:
Tel. (03512) 700-297
E-mail: kundendienst@austria-email.at

Sales branches:

South Germany D-92637 Weiden/Opf.,
Parksteiner Straße 49
Tel. 0049/(0)961/63 490-0
Fax 0049/(0)961/63 490-30
E-mail: ahirmer@austria-email.at

North/East Germany
D-14770 Brandenburg, Beetzseeufer 3
Tel. 0049/(0)3381/766-0
Fax 0049/(0)3381/766-244
E-mail: sgobi@austria-email.at

FOIL CLAD STORAGE TANK HTP ERM



- Large heat exchange surfaces
- High-performance straight-tube register (limescale resistant)
- Enamelling and Mg anode in accordance with DIN 4753
- High quality PU insulation, 75 mm
- Hot water discharge upwards guarantees complete bleeding
- Thermometer, blind flange (D 180 mm, DN 110) and flange insulation hood fitted at the factory
- All accumulators, including 1½" socket (sealed at the factory) for SH series screw-in heating elements
- Sensor positioning using immersion tube (control sleeve);
- Operating pressure 10 bar

ACCESSORIES:

- Foil cladding enclosed, resulting in reduced inventory costs
- Height-adjustable feet and plastic rosettes enclosed

TECHNICAL INFORMATION

Type	A mm	B mm	C mm	ø D mm	E mm	F mm	G mm	H mm	I mm	Anode mm	Tilt dimension mm	Weight kg	ETE ¹⁾ mm	ETF ¹⁾ mm
HTP 160 ERM	263	503	583	660	668	305	668	1131	828	ø 33 x 300	1290	81	520	450
HTP 200 ERM	263	638	688	660	870	305	695	1353	1050	ø 33 x 430	1485	93	520	450
HTP 300 ERM	263	818	868	660	983	305	983	1810	1507	ø 33 x 600	1905	122	520	450
HTP 400 ERM	320	925	975	730	1045	345	1000	1847	1521	ø 33 x 700	1965	154	590	490
HTP 500 ERM	370	930	980	800	1050	370	1095	1838	1498	ø 33 x 700	1982	171	670	580

1) Installation depth of screw-in heater sleeve for CR heater

2) Installation depth of flange (for built-in heater or finned tube heat exchanger)

Type	Heating surface in m ²	Continuous power in kW or l/h												N-CE Number
		70°C	70°C	70°C	80°C	80°C	80°C	70°C	70°C	70°C	80°C	80°C	80°C	
Flow temperature		70°C	70°C	70°C	80°C	80°C	80°C	70°C	70°C	70°C	80°C	80°C	80°C	80°C
Hot water temperature		45°C	45°C	45°C	45°C	45°C	45°C	60°C	60°C	60°C	60°C	60°C	60°C	60°C
Cold water temperature		10°C	10°C	10°C	10°C	10°C	10°C	10°C	10°C	10°C	10°C	10°C	10°C	10°C
Flow rate		1 m ³ /h	2 m ³ /h	3 m ³ /h	1 m ³ /h	2 m ³ /h	3 m ³ /h	1 m ³ /h	2 m ³ /h	3 m ³ /h	1 m ³ /h	2 m ³ /h	3 m ³ /h	3 m ³ /h
HTP 160 ERM	0.60	11.9	13.9	14.9	15.6	18.5	19.8	8.5	9.7	10.3	12.5	14.7	15.7	2
bottom		293	342	367	384	455	487	146	167	177	215	253	270	
HTP 200 ERM	1.00	18.0	21.7	23.5	23.3	28.4	31.0	13.2	15.5	16.6	19.1	22.9	24.8	3.5
bottom		443	534	578	573	699	763	227	267	286	329	394	427	
HTP 300 ERM	1.40	23.0	30.1	31.8	29.8	39.1	42.7	17.1	20.9	22.4	24.8	31.0	33.9	7.5
bottom		566	740	782	733	962	1050	294	360	386	427	534	584	
HTP 400 ERM	1.80	27.2	34.8	38.9	35.1	45.1	50.7	20.4	25.5	27.5	29.3	37.1	41.2	11
bottom		669	856	957	863	1109	1247	351	439	474	505	639	709	
HTP 500 ERM	2.0	29.8	39.2	44.2	38.3	51.2	58.1	21.9	27.2	29.5	31.7	42.1	48.1	15
bottom		733	964	1087	942	1260	1429	377	468	508	546	725	828	

ECO DESIGN - LABELLING

Type	Contents in litres	Heat retention loss S as per EN 12897		Tap profile	Energy efficiency class
		in kWh/24h	in watts		
HTP 160 ERM	160	1.14	47.5	L	B
HTP 200 ERM	200	1.28	53.3	XL	B
HTP 300 ERM	300	1.65	68.8	XXL	B
HTP 400 ERM	400	1.83	76.3	XXL	B
HTP 500 ERM	500	2.00	83.3	3XL	B