

VENTS MAO1 Series



Axial window fans for exhaust ventilation with the capacity up to 345 m³/h

VENTS MAO2 Series



Axial window fans for exhaust ventilation with the capacity up to 232 m³/h

Applications

- Continuous or periodic exhaust ventilation of bathroom, showers, kitchens and other utility spaces.
- For mounting in windows.

Design

- Modern design and aesthetic look.
- The casing and the impeller are made of high-quality durable ABS plastic, UV resistant.
- The intellectual impeller design makes the fan efficiency high and the service life long.
- The fan and motor are specially designed for silent operation.
- Fan is equipped with a thermal actuator that provides smooth opening and shutting of automatic louver shutters for air back flow preventing.
- MAO2 Series fans are equipped with an external hood.
- Protection rating IP 24.

Motor

- Reliable and low-watt electric motor.
- Designed for continuous operation and requires no maintenance.
- Equipped with overheating protection.

Modifications and Options



MAO1 L / MAO2 L – the motor is equipped with ball bearings for long service life (appr. 40 thousand hours) and fan mounting at any angle. The bearings are maintenance-free and contain enough grease for the entire operating period.



MAO1 turbo / MAO2 turbo – high-powered motor.



MAO1 12 / MAO2 12 – modification with low-voltage motor. 12 V AC power supply.



MAO1 T / MAO2 T – equipped with a regulated timer with the operating time from 2 to 30 minutes.



MAO1 V / MAO2 V – equipped with a pull cord switch.



MAO1 VT / MAO2 VT – equipped with a pull cord switch and a regulated timer with the operating time adjustable from 2 to 30 minutes.

Control

Manual:

- The fan is controlled by a room light switch. It is not included in the delivery package.
- The fan is controlled by the built-in pull cord switch **V**.
- Speed control is possible through a thyristor speed controller (see Electrical Accessories). Several fans may connected to the same controller. Speed controllers can not be connected to the fans with T, TH, TP, VT, VTH modification.

Automatic:

- By the electronic control unit **BU-1-60** (see Electrical Accessories). The control unit is supplied separately.
- By the timer T (the built-in run-out timer enables the fan operation within 2 to 30 minutes after the fan switching off).

Mounting features

- The fan is mounted directly into the window opening.
- For 12 V low-voltage motor fan connection to 220 V / 50 Hz power mains use the step-down transformer TRF 220/12-25 that is available upon separate order.



Back side of MAO2 fan



Fan OFF - louver shutters CLOSED



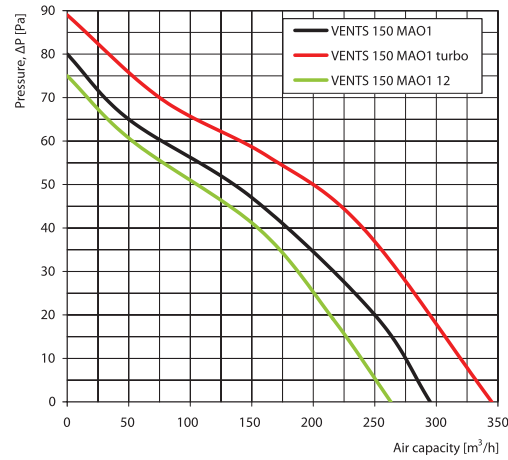
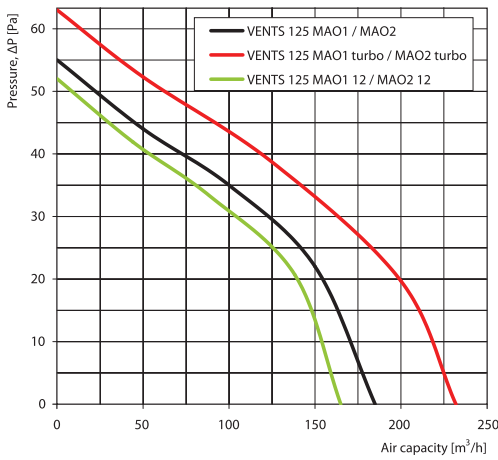
Fan ON - louver shutters OPEN

Accessories

Speed controllers



Aerodynamic characteristics

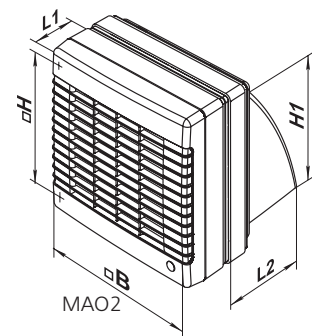
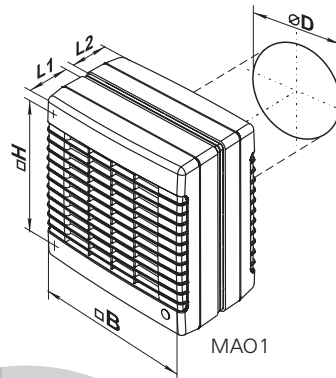


Technical data

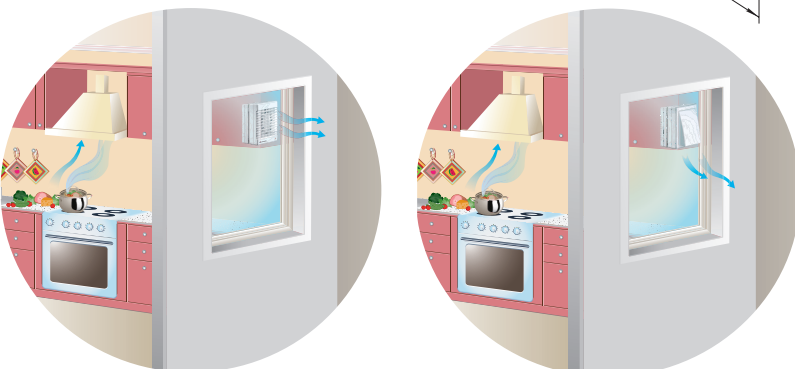
Model	Frequency [Hz]	Voltage [V]	Power Consumption [W]	Ток, А	R.p.m.	Maximum air capacity [m³/h]	Sound Pressure Level at 3 m [dB(A)]	SEC class	Weight [kg]
VENTS 125 MAO1	50/60	220-240	22	0,1	2400	185	35	E	1,15
VENTS 125 MAO1 turbo	50/60	220-240	24	0,105	2400	232	37	E	1,31
VENTS 125 MAO1 12	50/60	12	16	1,7	2300	165	34	E	1,13
VENTS 125 MAO2	50/60	220-240	22	0,1	2400	185	35	E	1,14
VENTS 125 MAO2 turbo	50/60	220-240	24	0,105	2400	232	37	E	1,24
VENTS 125 MAO2 12	50/60	12	16	1,7	2300	165	34	E	1,12
VENTS 150 MAO1	50	220-240	26	0,13	2400	295	41	E	1,53
VENTS 150 MAO1 (220-240 B/60 Hz)	60								
VENTS 150 MAO1 turbo	50	220-240	29	0,13	2400	345	43	E	1,67
VENTS 150 MAO1 turbo (220-240 B/60 Hz)	60								
VENTS 150 MAO1 12	50	12	29	2	2300	263	40	E	1,49
VENTS 150 MAO1 (12 B/60 Hz)	60								

Overall dimensions

Model	Dimensions [mm]					
	ØD	B	H	H1	L1	L2
VENTS 125 MAO1	125	190	173	—	58	53
VENTS 150 MAO1	150	212	195	—	66	60
VENTS 125 MAO2	—	190	173	160	58	123



Mounting examples



Certificates



The fans meet the applicable safety and electromagnetic compatibility standards.